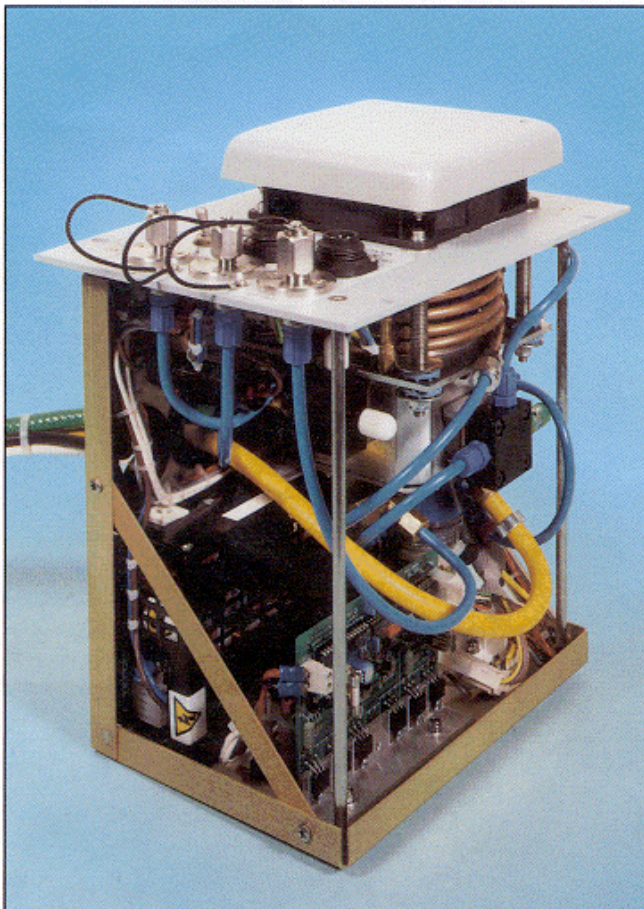


## PV 103

### Pressure/Vacuum Supply Unit

- Supply unit for Air Data Test Systems
- Available as a rack mount or in flightline case for ADTS 405F
- Dry pumps operating from any AC single phase supply and 28Vd.c. option
- Operating life of 30000 hours between overhauls - simple maintenance
- Auxiliary vacuum output for static probe fixing on ADTS 405
- Provides ultimate values compatible with civil and military requirements



ADTS 405 F FLIGHTLINE PUMP

Druck have designed a rugged, long life pressure and vacuum supply unit for use with air data test systems.

Two configurations are available. The PV 103 is a 19" rack mounted unit suitable for incorporation into ATE systems.

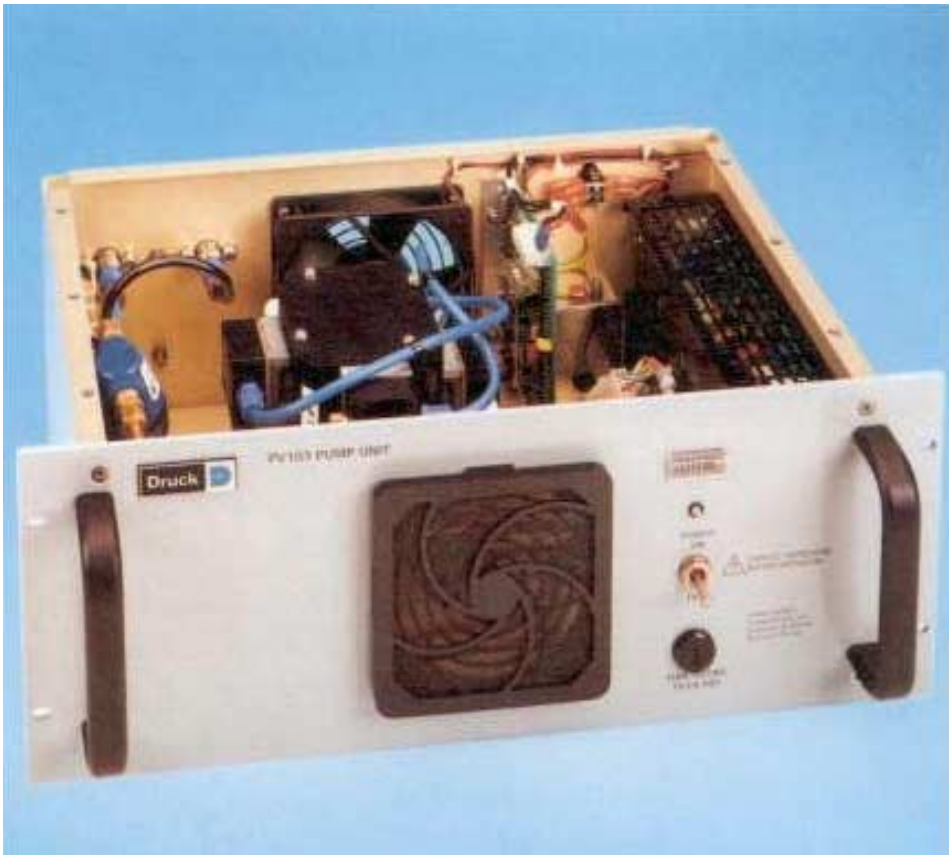
The same basic pump is also configured as a module within the ADTS 405F flightline test set.

The pumps have been selected and sized to enable the altitude and airspeed values found in civil and military aircraft to be achieved at rates consistent with their normal operation.

The pumps operate from any single phase a.c. supply with wide frequency compatibility.

Ultimate vacuums equivalent to 85,000 feet and pressure for airspeeds up to 1,000 knots are generated.

On the ADTS 405F module additional features are provided such as auxiliary vacuum for static adaptor hold-down, pressure and vacuum inputs to enable running from other pumps and 28V operating capability.



**Altitude**

Enables 6,000 ft/min rate of climb to 55,000 ft into a volume of 17 litres (1000 cu in) for the static system.  
 Enables 15,000 ft/min rate of climb to 80,000 ft into a volume of 4 litres (240 cu in) for the static system.

**Airspeed**

Enables a rate of 1 Mach/minute to 550 knots into a volume of 10 litres (600 cu in) for the pitot total system.  
 Enables a rate of 900 knots/minute to 850 knots into a volume of 2 litres (120 cu in) for the pitot total system.

**Power Supplies**

88-260V, 47 to 440 Hz  
 Power rating 300VA  
 Optional 28V operation on ADTS 405F

**Weight**

9.5 kg (21 lb) for PV 103

**Case Dimensions**

483 wide x 178 high x 266 deep mm  
 (19" x 7" x 10½") for PV 103  
 For ADTS 405F see data sheet.

**Overhaul Life**

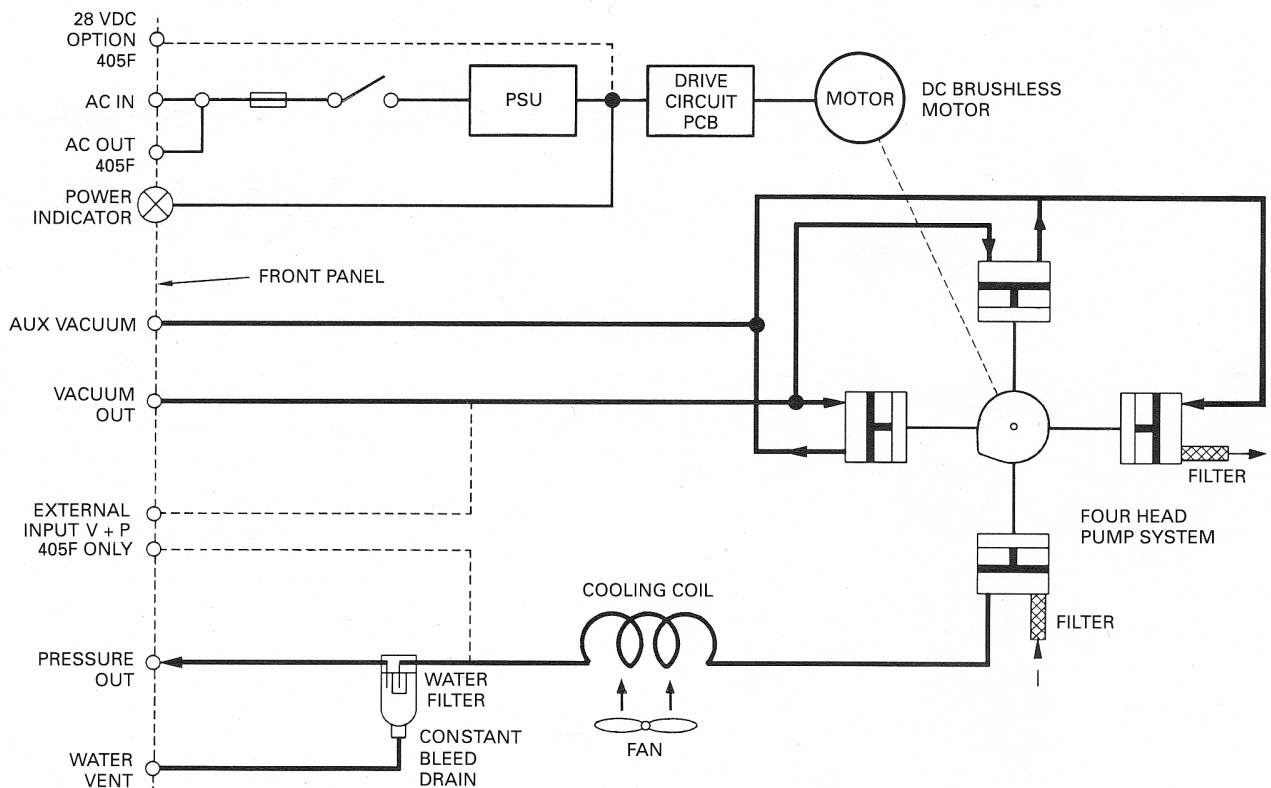
Greater than 3,000 hours running time.  
 Hours counter fitted.

**Maximum Vacuum**

20mbar absolute (0.49 inHg absolute) (85,000 ft)

**Maximum Pressure**

3.5 bar gauge (100 inHg gauge).



**Druck Limited**  
 Fir Tree Lane, Groby  
 Leicester LE6 0FH England  
 Tel: + 44 (0) 116 231 7100  
 Fax: + 44(0) 116 231 7103  
 E-mail: sales@druck.com  
 Internet: www.druck.com

Agent: