

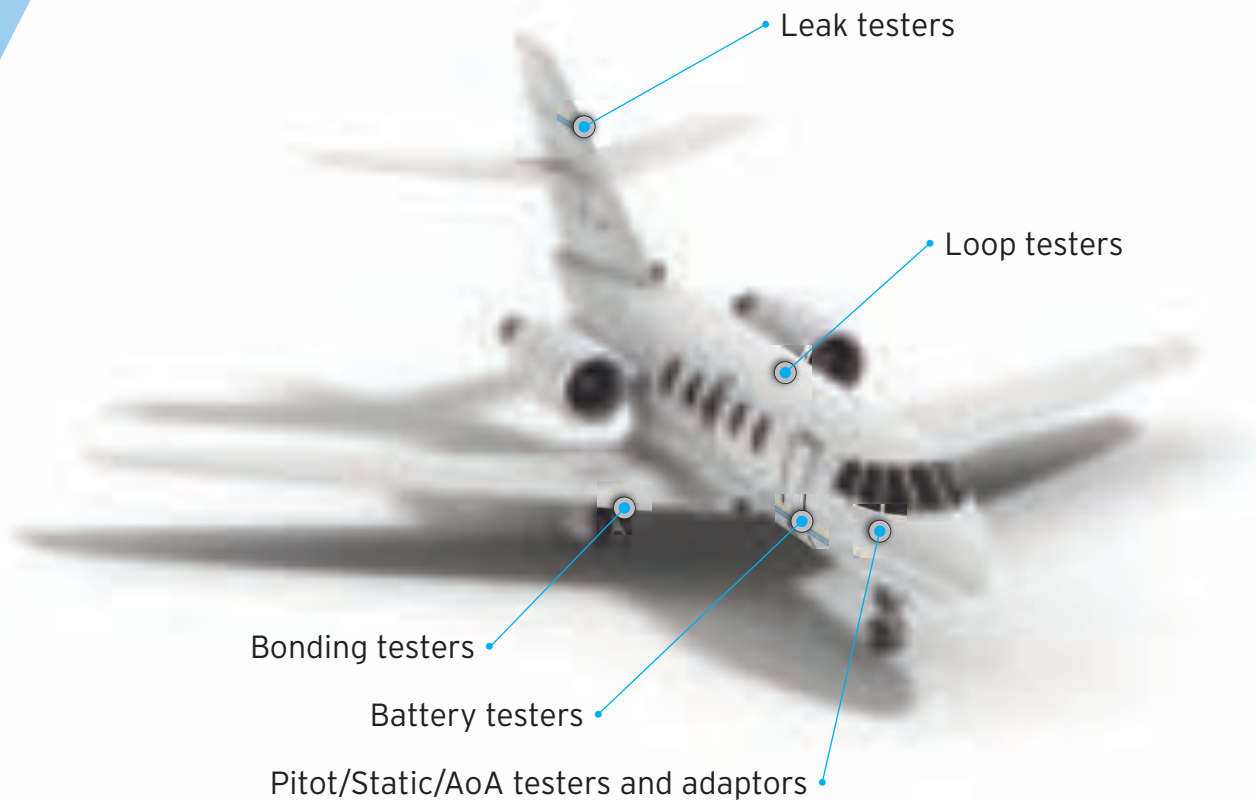
To buy, sell, rent or trade-in this product please click on the link below:

<http://www.avionteq.com/ATEQ-Omicron-PSAT-Boeing-737-NG-Pitot-static-adapter-tools.aspx>



**We test
You fly**

test instruments **ADAPTORS**



ATEQ-OMICRON is a member
of ATEQ Worldwide Group of Companies



www.ateq-omicron.com

Ps adaptors

PZ-0103	ATR static	4
PZ-0107	A318-340 static	5
PZ-0108	A18-321 dual static	6
PZ-0124	A340-500 static	7
PZ-0125	A300-310 dual static	8
PZ-0138	T 3 large static port	9
PZ-0141	New TRANSALL static left	10
PZ-0142	New TRANSALL static right	11
PZ-0146	T 3 cups small static port	12
PZ-0161	Single through static 20-22mm	13
PZ-0183	Triangle vac static	14
PZ-0185	Quad vac 2 Ps Boeing	15
PZ-0201	2 vac cups single Ps	16
PZ-0202	1 vac cup 2 Ps	17
PZ-0204	Bell roof plug	18
PZ-0217	2 vac cups 2 Ps	19
PZ-0222	2 vac cups 3 Ps	20
PZ-0223	2 vac cups 1 large Ps	21
PZ-0224	T 3 vac cups large static port	22
PZ-0227	Falcon2000 2 vac cups 8 shape Ps	23
PZ-0229	A380 STDBY	24
PZ-0230	A380 LEFT ISP	25
PZ-0231	A380 RIGHT ISP	26
PZ-0232	3 Closed Ps 2vac cups	27
PZ-0233	Fennec quad static	28
PZ-0236	Single through static 23mm	29

Pt adaptors

PZ-0131	NH90 2Ps 1Pt	30
PZ-0145	Single Pt 9-11	31
PZ-0148	Single Pt 12-14	32
PZ-0150	NH90 3Ps 1Pt	33
PZ-0151	Single Pt 11-13	34
PZ-0152	Single Pt 14-16	35
PZ-0153	Single Pt 13-15	36
PZ-0154	Single short Pt 16-18	37
PZ-0155	Single Pt 17-19	38
PZ-0156	Single Pt 18-20mm	39
PZ-0160	Single Pt 20-22mm	40
PZ-0176	Smart probe 26mm	41
PZ-0184	Single Pt 10-12mm	42
PZ-0199	Learjet 2 Ps 1 Pt	43
PZ-0200	Phenom300 smart probe	44
PZ-0203	Phenom300 STDBY probe	45
PZ-0216	Piper squale wing probe	46
PZ-0218	Legacy500 smart probe	47
PZ-0225	Bell roof Ps Pt probe	48
PZ-0226	A380 single Pt 14-16mm	49
PZ-0235	Single Pt 23	50

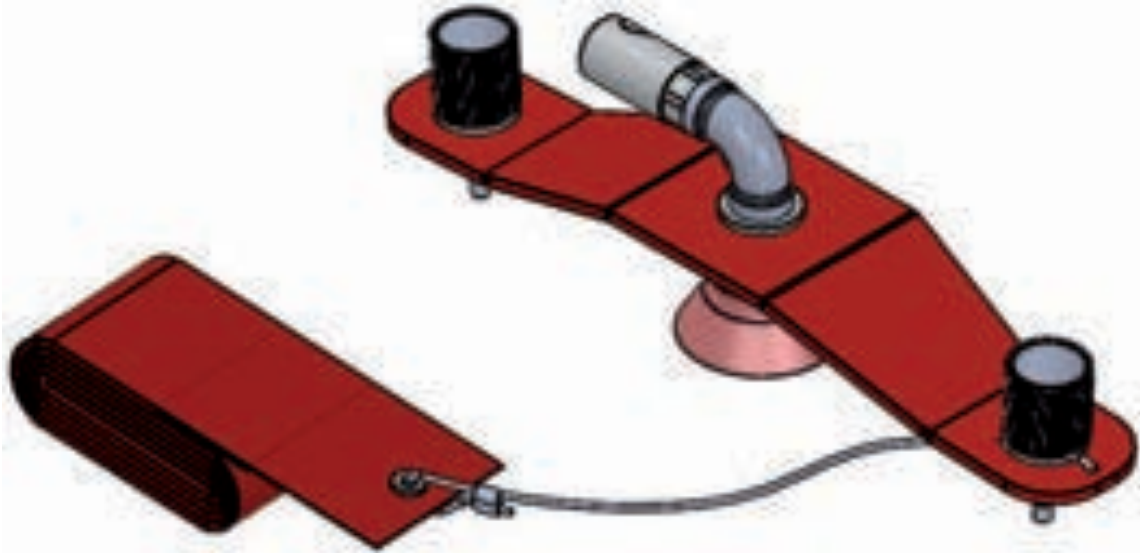
Accessories adaptors

MB-0191	Tarmac adaptor box	51
MZ-0166-0207	Pincas drains	52
MZ-0211	Safety vac clamp 46mm	53
MZ-0212	Safety vac clamp 122mm	53
MZ	Drain Eurocopter	54
P6	Hoses	55
PZ-0159	Static vac generator box	56
PZ-0219	4 smart probes manifold	57

PZ-0103 ATR STATIC

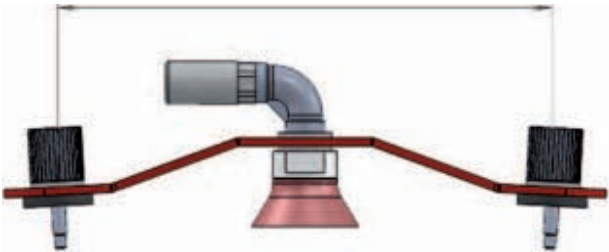
ATR STATIC PORT ADAPTATOR

This adaptor is ideally designed for ATR airplanes static ports.



ADJUSTMENT SIZES

max 198 - min 188



PS CONNECTOR OPTION

STBK	STAUBLI/TST RBE 03	with • BLACK CODE
AN4M	AN4 male (JIC 37-74 ANGLE)	with O-Ring
AN6M	AN6 male (JIC 37-74 ANGLE)	with O-Ring

HOW TO ORDER

PZ-0103-A- **DCUP** - **STBK**

PS PORT CONNECTOR SIZE
PS PORT SEAL SIZE

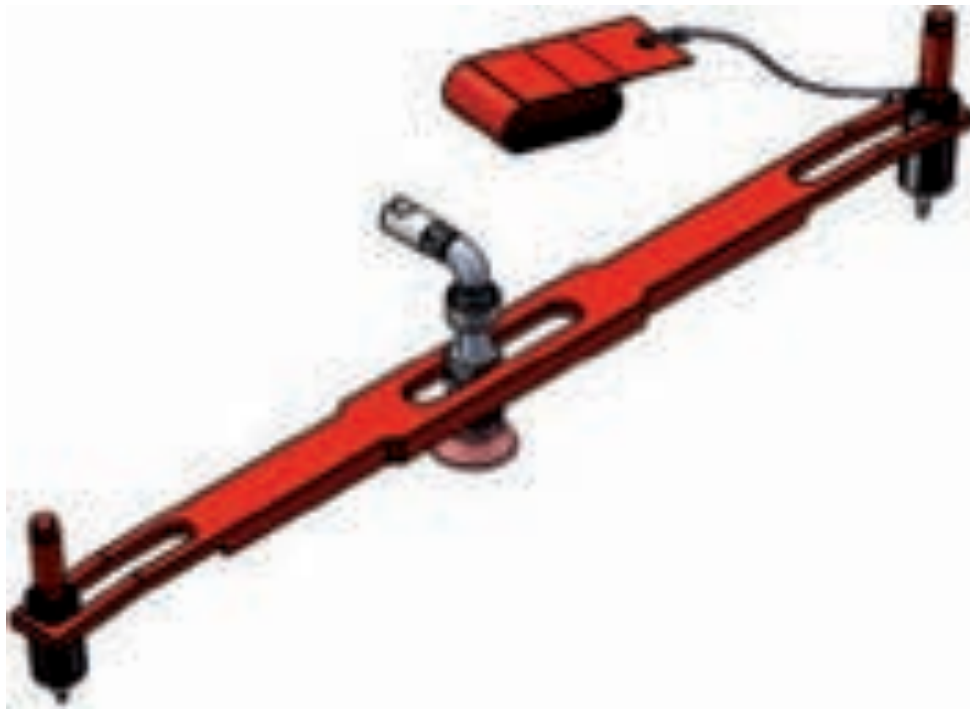
PZ-0107-A-REPLACEMENT CUP SEAL contains :

- 2x 40mm outside diameter cup seals

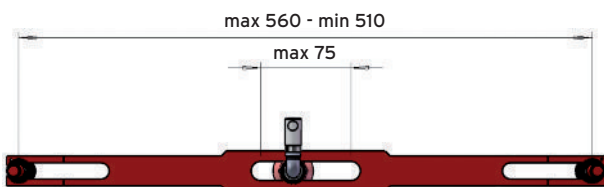
PZ-0107 A318-340 STATIC

AIRBUS A318 TO A340 PS PORT - DUAL SCREW

This adaptor is ideally designed for AIRBUS A319/A32X single static port side.



ADJUSTMENT SIZES



PS CONNECTOR OPTION

STBK	STAUBLI/TST RBE 03	with • BLACK CODE
AN4M	AN4 male (JIC 37-74 ANGLE)	with O-Ring
AN6M	AN6 male (JIC 37-74 ANGLE)	with O-Ring

HOW TO ORDER

PZ-0107-A- **DCUP** - **STBK**

PS PORT CONNECTOR SIZE
PS PORT SEAL SIZE

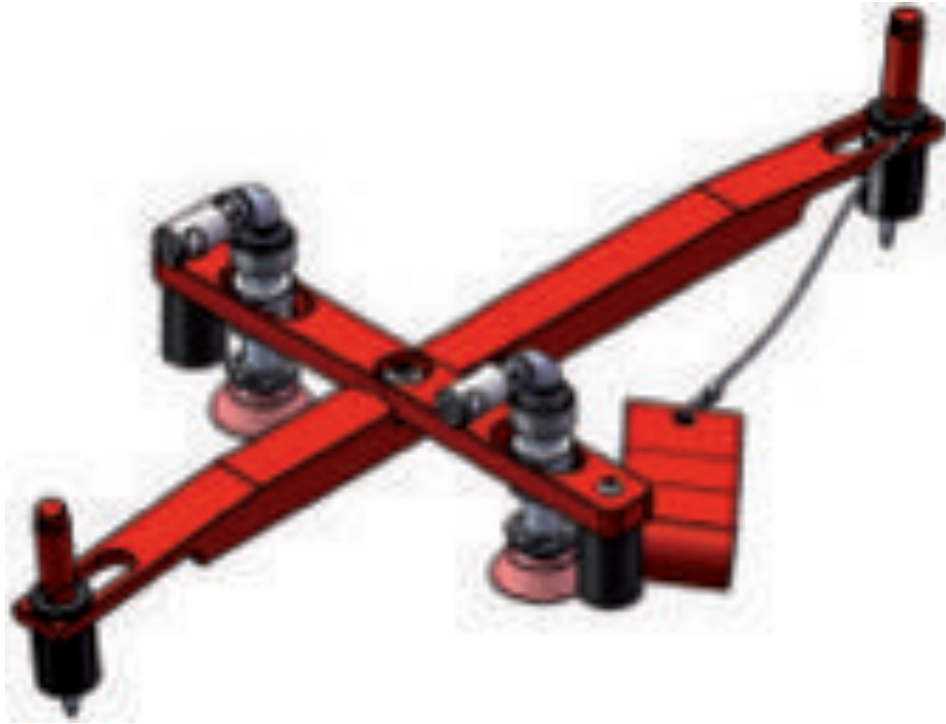
PZ-0107-A-REPLACEMENT CUP SEAL contains :

- 2x 40mm outside diameter cup seals

PZ-0108 A318-321 DUAL STATIC

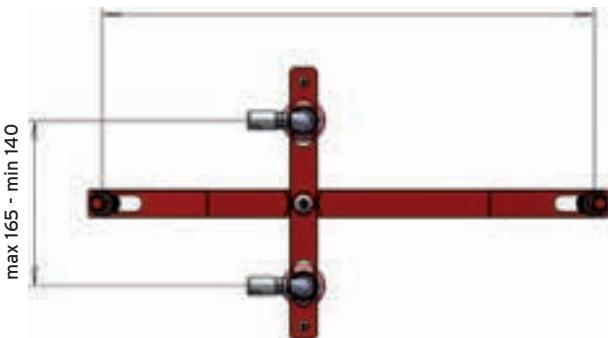
AIRBUS A318-A321 DUAL PS PORT - DUAL SCREW MOUNT-ADAPTOR

This adaptor is ideally designed for AIRBUS A319/A32X dual separated static ports side.



ADJUSTMENT SIZES

max 460 - min 410



PS CONNECTOR OPTION

STBK	STAUBLI/TST RBE 03	with • BLACK CODE
AN4M	AN4 male (JIC 37-74 ANGLE)	with O-Ring
AN6M	AN6 male (JIC 37-74 ANGLE)	with O-Ring

HOW TO ORDER

PZ-0108-A- **DCUP** - **STBK**

PS PORT CONNECTOR SIZE
PS PORT SEAL SIZE

PZ-0107-A-REPLACEMENT CUP SEAL contains :

- 2x 40mm outside diameter cup seals

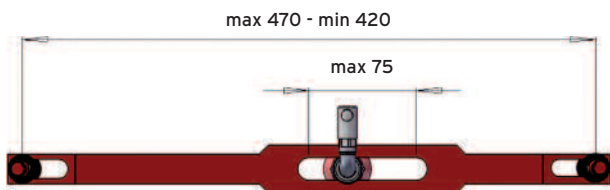
PZ-0124 A340-500 STATIC

AIRBUS A340-500 PS PORT - DUAL SCREW MOUNT-ADAPTOR

This adaptor is ideally designed for AIRBUS A340-500 single static port side.



ADJUSTMENT SIZES



PS CONNECTOR OPTION

STBK	STAUBLI/TST RBE 03	with • BLACK CODE
AN4M	AN4 male (JIC 37-74 ANGLE)	with O-Ring
AN6M	AN6 male (JIC 37-74 ANGLE)	with O-Ring

HOW TO ORDER

PZ-0124-A- **DCUP** - **STBK**

PS PORT CONNECTOR SIZE
PS PORT SEAL SIZE

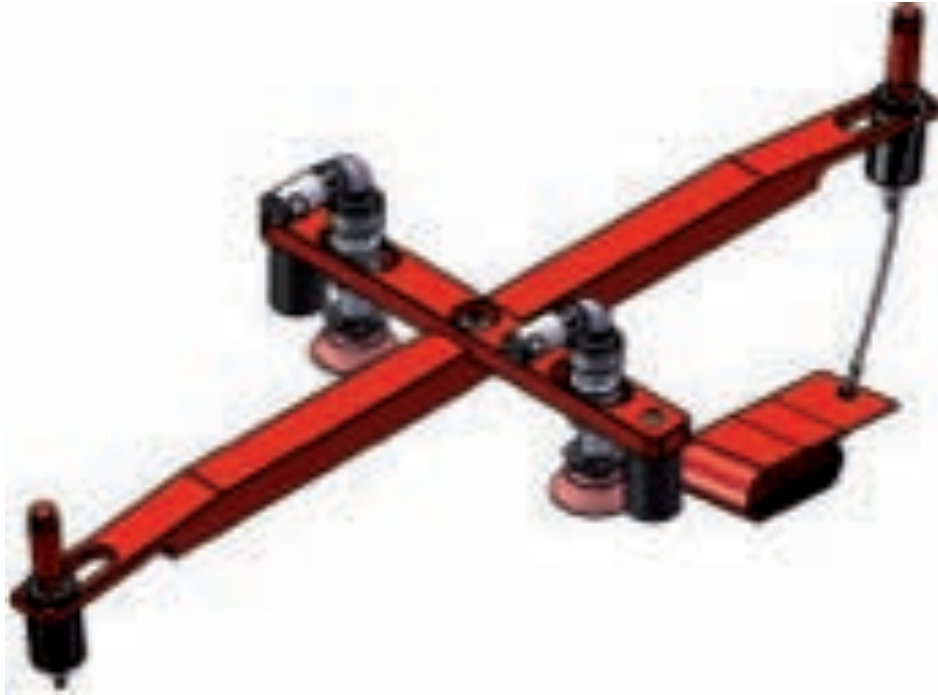
PZ-0107-A-REPLACEMENT CUP SEAL contains :

- 2x 40mm outside diameter cup seals

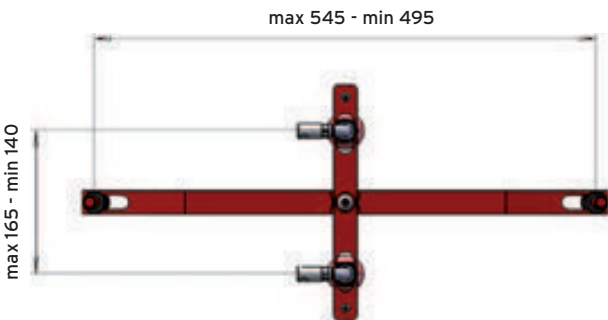
PZ-0125 A300-310 DUAL STATIC

AIRBUS A300-A310 DUAL PS PORT - DUAL SCREW MOUNT-ADAPTOR

This adaptor is ideally designed for AIRBUS A300/A310 dual separated static ports side.



ADJUSTMENT SIZES



PS CONNECTOR OPTION

STBK	STAUBLI/TST RBE 03	with • BLACK CODE
AN4M	AN4 male (JIC 37-74 ANGLE)	with O-Ring
AN6M	AN6 male (JIC 37-74 ANGLE)	with O-Ring

HOW TO ORDER

PZ-0125-A- **DCUP** - **STBK**

PS PORT CONNECTOR SIZE
PS PORT SEAL SIZE

PZ-0107-A-REPLACEMENT CUP SEAL contains :

- 2x 40mm outside diameter cup seals

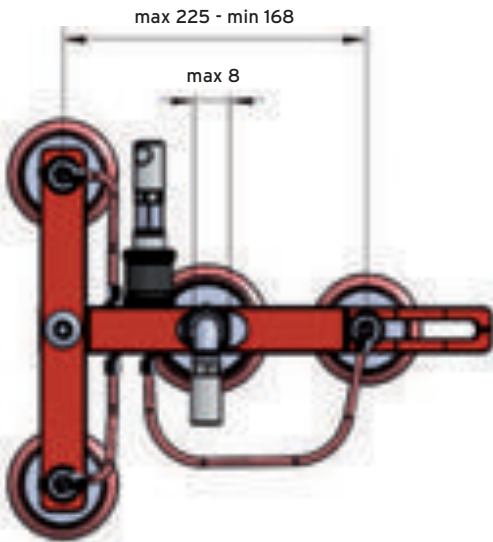
PZ-0138 T 3 CUPS LARGE STATIC PORT

SINGLE LARGE PS PORT - TRIPLE SUCCION CUPS STATIC PORT ADAPTOR

This adaptor is ideally designed for small triple static ports configuration, when it is not possible to fit three independant adaptors.



ADJUSTMENT SIZES



PS CONNECTOR OPTION

STBK	STAUBLI/TST RBE 03	with • BLACK CODE
STRD	STAUBLI/TST RBE 03	with • RED CODE
AN4M	AN4 male (JIC 37-74 ANGLE)	with O-Ring
AN6M	AN6 male (JIC 37-74 ANGLE)	with O-Ring

VACCUM CONNECTOR OPTION

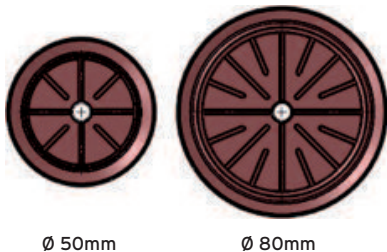
STYE	STAUBLI/TST RBE 03	with • YELLOW CODE
AN5M	AN5 male (JIC 37-74 ANGLE)	with O-RING

HOW TO ORDER

PZ-0138-A- **D50** - **STBK** - **STYE**

— VACCUM CONNECTOR SIZE
 — PS PORT CONNECTOR SIZE
 — PS PORT SEAL SIZE

PS PORT OPTIONS



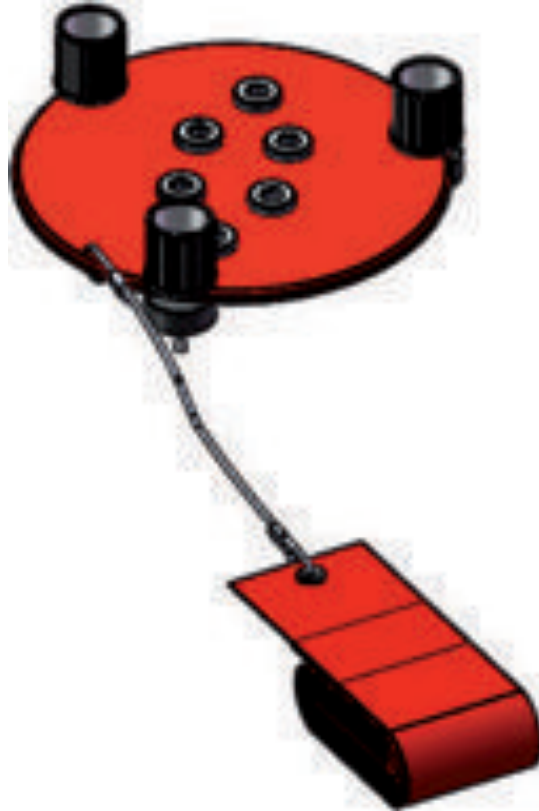
PZ-0224-A-SEAL KIT contains :

- 2x 50mm seals
- 2x 80mm seals
- 2x Succion cups
- 1x Seal plastic insertion tool

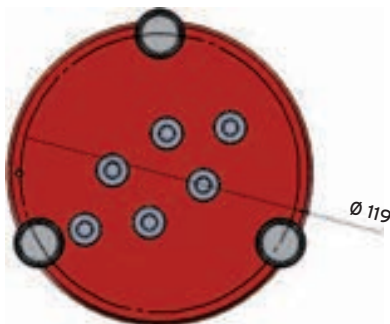
PZ-0141 NEW TRANSALL STATIC LEFT

TRANSALL LEFT SIDE - MULTIPLE STATIC PORT ADAPTOR

This adaptor is ideally designed for the TRANSALL left side multiple static ports.



ADJUSTMENT SIZES



PS CONNECTOR OPTION

PLUG	Every hole closed (normal configuration with the calibrator connected on the right side)	
STBK	STAUBLI/TST RBE 03	with • BLACK CODE
AN4M	AN4 male (JIC 37-74 ANGLE)	with O-Ring
AN6M	AN6 male (JIC 37-74 ANGLE)	with O-Ring

HOW TO ORDER

PZ-0141-A- PLUG

PS PORT CONNECTOR SIZE

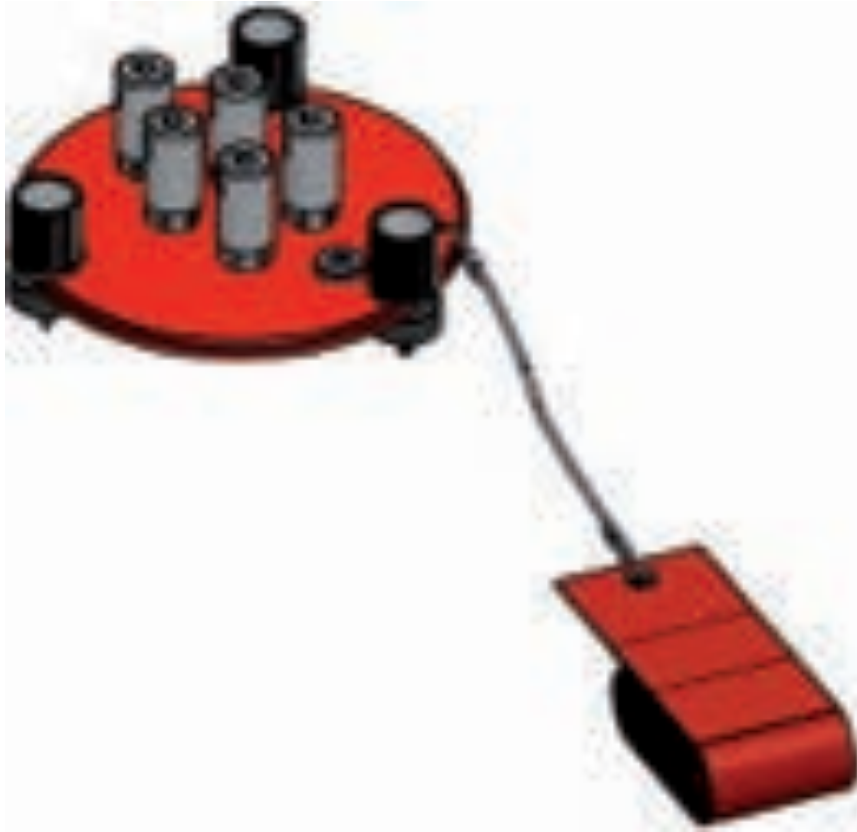
PZ-0141/2-A-SEAL REPLACEMENT KIT contains :

- 6x 14mm seals

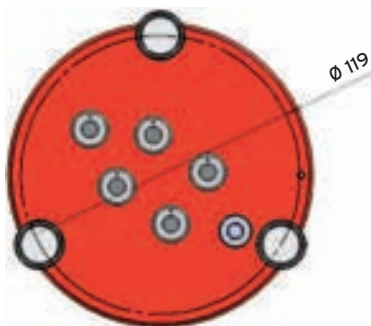
PZ-0142 NEW TRANSALL STATIC RIGHT

TRANSALL RIGHT SIDE - MULTIPLE STATIC PORT ADAPTOR

This adaptor is ideally designed for the multiple ports on the TRANSALL airplane right side.



ADJUSTMENT SIZES



PS CONNECTOR OPTION

STBK	STAUBLI/TST RBE 03	with • BLACK CODE
AN4M	AN4 male (JIC 37-74 ANGLE)	with O-Ring
AN6M	AN6 male (JIC 37-74 ANGLE)	with O-Ring

HOW TO ORDER

PZ-0142-A- **STBK**

PS PORT CONNECTOR SIZE

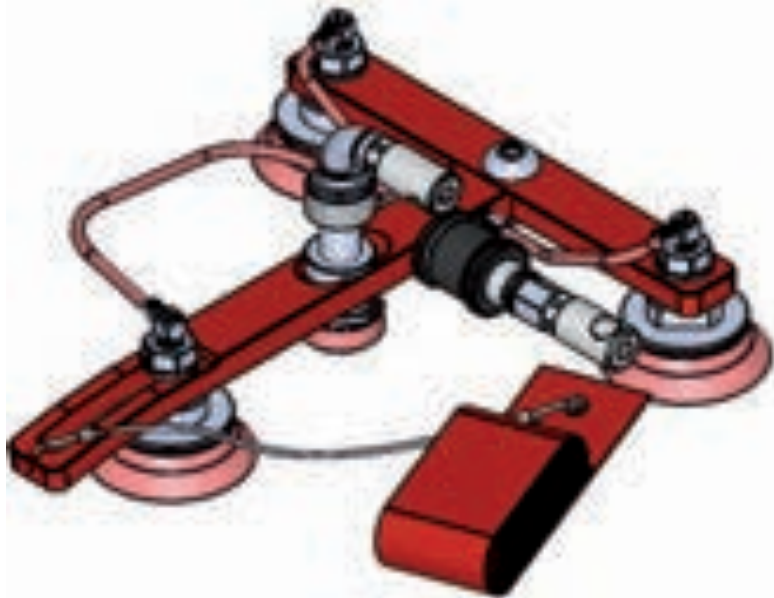
PZ-0141/2-A-SEAL REPLACEMENT KIT contains:

- 6x 14mm seals

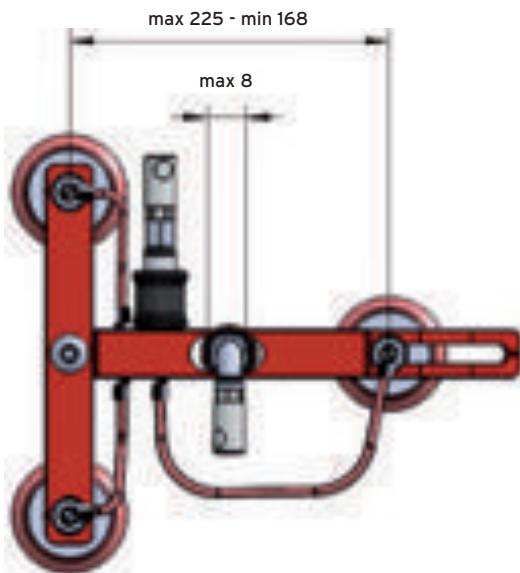
PZ-0146 T 3 CUPS SMALL STATIC PORT

SINGLE PS PORT - TRIPLE SUCCION CUP - STATIC PORT ADAPTOR

This adaptor is ideally designed for single static ports configuration.



ADJUSTMENT SIZES



PS CONNECTOR OPTION

STBK	STAUBLI/TST RBE 03	with • BLACK CODE
AN4M	AN4 male (JIC 37-74 ANGLE)	with O-Ring
AN6M	AN6 male (JIC 37-74 ANGLE)	with O-Ring

VACCUM CONNECTOR OPTION

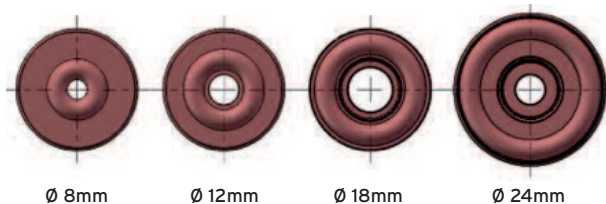
STYE	STAUBLI/TST RBE 03	with • YELLOW CODE
AN5M	AN5 male (JIC 37-74 ANGLE)	with O-RING

HOW TO ORDER

PZ-0202-A- D18 - STBK - STYE

VACCUM CONNECTOR SIZE
PS PORT CONNECTOR SIZE
PS PORT SEAL SIZE

PS PORT OPTIONS



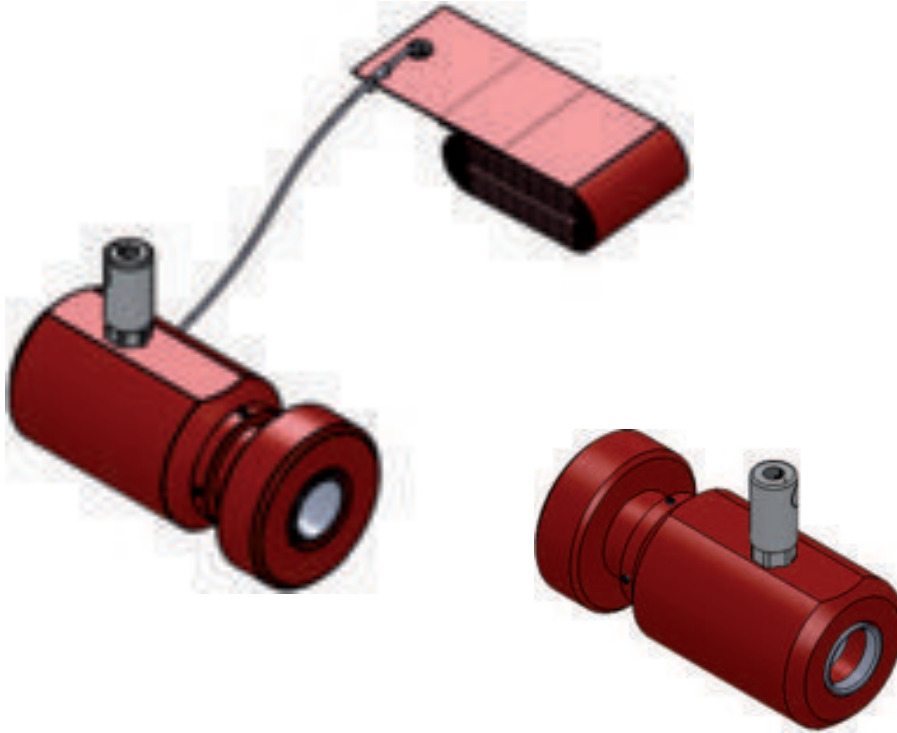
PZ-0221-A-SEAL KIT contains :

- 2x 8mm seals
- 2x 12mm seals
- 2x 18mm seals
- 2x 24mm seals
- 2x Succion cups
- 1x Seal plastic insertion tool

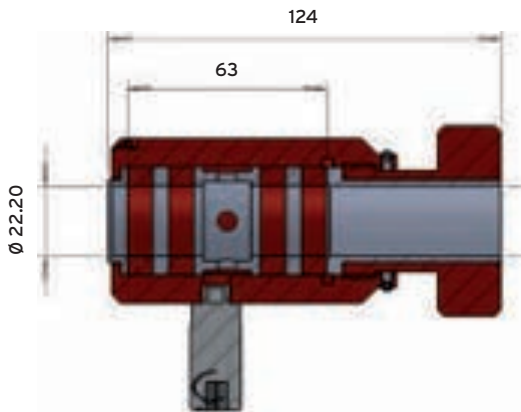
PZ-0161 SINGLE THROUGH STATIC 20-22MM

SINGLE 20-22MM THROUGH HOLE STATIC PORT ADAPTOR

This adaptor is ideally designed for PITOT tube through hole static ports configuration when the position of the static holes prohibits a combined adaptor.



ADJUSTMENT SIZES



PS CONNECTOR OPTION

STBK	STAUBLI/TST RBE 03	with • BLACK CODE
AN4M	AN4 male (JIC 37-74 ANGLE)	with O-Ring
AN6M	AN6 male (JIC 37-74 ANGLE)	with O-Ring

HOW TO ORDER

PZ-0161-A- **STBK**

PS PORT CONNECTOR SIZE

PZ-0161-A-SEAL REPLACEMENT KIT contains :

- 2x 22mm inside diameter seals

THIS ADAPTER CAN ALSO BE MANUFACTURED

in **14-16mm, 16-18mm, 18-20mm, 22-24mm** and **24-26mm**

PLEASE DO NOT HESITATE TO CONTACT US.

PZ-0183 TRIANGLE VAC STATIC

SINGLE PS PORT - TRIPLE SUCCION CUPS - STATIC PORT ADAPTOR

This adaptor is ideally designed for small (low curvature) surface access static port configuration, when it is not possible to fit larger size adaptors.



ADJUSTMENT SIZES



PS CONNECTOR OPTION

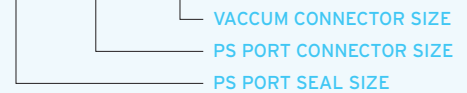
STBK	STAUBLI/TST RBE 03	with • BLACK CODE
STRD	STAUBLI/TST RBE 03	with • RED CODE
AN4M	AN4 male (JIC 37-74 ANGLE)	with O-Ring
AN6M	AN6 male (JIC 37-74 ANGLE)	with O-Ring

VACCUM CONNECTOR OPTION

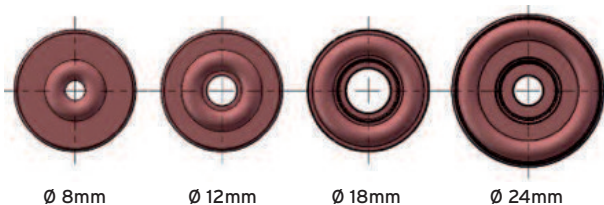
STYE	STAUBLI/TST RBE 03	with • YELLOW CODE
AN5M	AN5 male (JIC 37-74 ANGLE)	with O-RING

HOW TO ORDER

PZ-0183-A- D08 - STBK - STYE



PS PORT OPTIONS



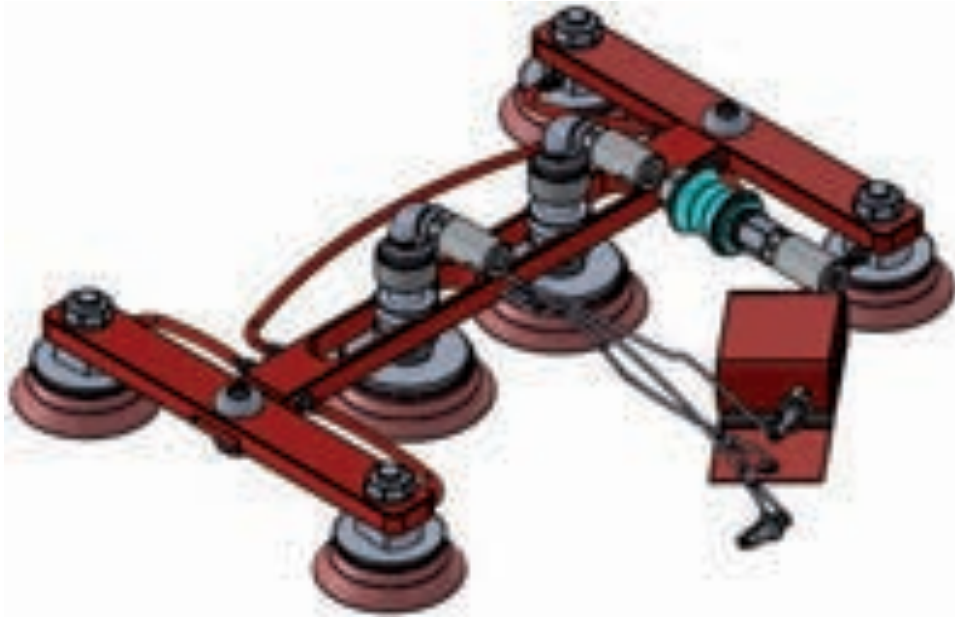
PZ-0221-A-SEAL KIT contains :

- 2x 8mm seals
- 2x 12mm seals
- 2x 18mm seals
- 2x 24mm seals
- 2x Suction cups
- 1x Seal plastic insertion tool

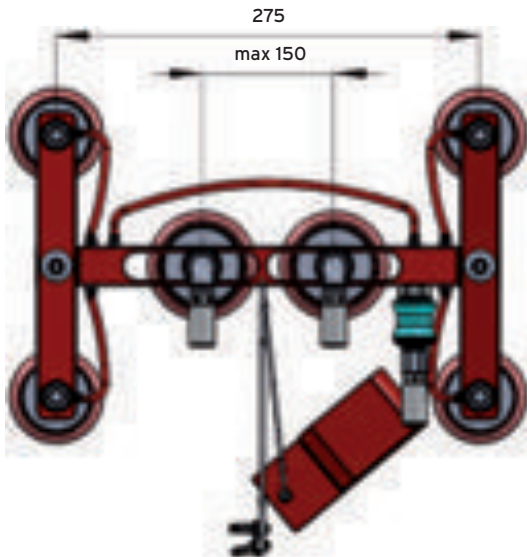
PZ-0185 QUAD VAC 2 PS BOEING

DUAL LARGE PS PORT - QUAD SUCCION CUPS - STATIC PORT ADAPTOR

This adaptor is ideally designed for BOEING 737 large double static ports configuration, when it is not possible to fit two independent adaptors.



ADJUSTMENT SIZES



PS CONNECTOR OPTION

STBK	STAUBLI/TST RBE 03	with • BLACK CODE
AN4M	AN4 male (JIC 37-74 ANGLE)	with O-Ring
AN6M	AN6 male (JIC 37-74 ANGLE)	with O-Ring

VACCUM CONNECTOR OPTION

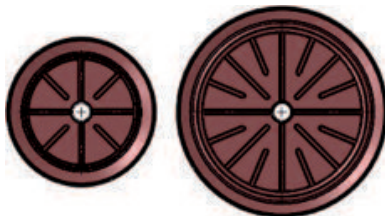
STYE	STAUBLI/TST RBE 03	with • YELLOW CODE
AN5M	AN5 male (JIC 37-74 ANGLE)	with O-RING

HOW TO ORDER

PZ-0185-A- **D50** - **STBK** - **STYE**

— VACCUM CONNECTOR SIZE
 — PS PORT CONNECTOR SIZE
 — PS PORT SEAL SIZE

PS PORT OPTIONS



Ø 50mm

Ø 80mm

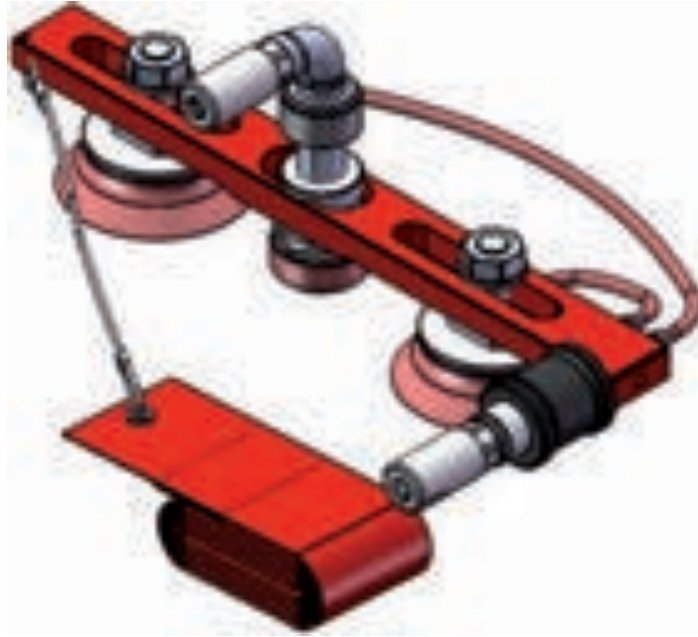
PZ-0224-A-SEAL KIT contains :

- 2x 50mm seals
- 2x 80mm seals
- 2x Succion cups
- 1x Seal plastic insertion tool

PZ-0201 2 VAC CUPS SINGLE PS

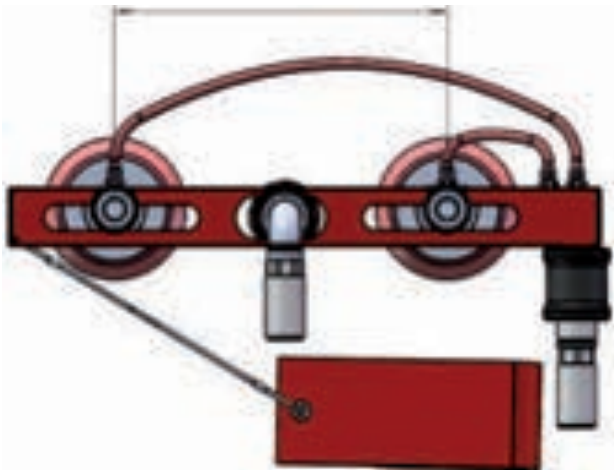
SINGLE PS PORT - DUAL SUCCION CUPS - STATIC PORT ADAPTOR

This adaptor is ideally designed for single static port configuration.
We have designed many special static port seals, please contact us.



ADJUSTMENT SIZES

max 180 - min 100



PS CONNECTOR OPTION

STBK	STAUBLI/TST RBE 03	with • BLACK CODE
STRD	STAUBLI/TST RBE 03	with • RED CODE
AN4M	AN4 male (JIC 37-74 ANGLE)	with O-Ring
AN6M	AN6 male (JIC 37-74 ANGLE)	with O-Ring

VACCUM CONNECTOR OPTION

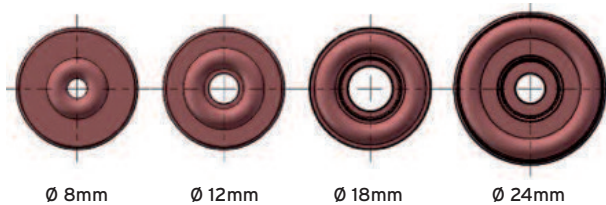
STYE	STAUBLI/TST RBE 03	with • YELLOW CODE
AN5M	AN5 male (JIC 37-74 ANGLE)	with O-RING

HOW TO ORDER

PZ-0201-A- **DO8** - **STBK** - **STYE**

VACCUM CONNECTOR SIZE
PS PORT CONNECTOR SIZE
PS PORT SEAL SIZE

PS PORT OPTIONS



PZ-0221-A-SEAL KIT contains :

- 2x 8mm seals
- 2x 12mm seals
- 2x 18mm seals
- 2x 24mm seals
- 2x Succion cups
- 1x Seal plastic insertion tool

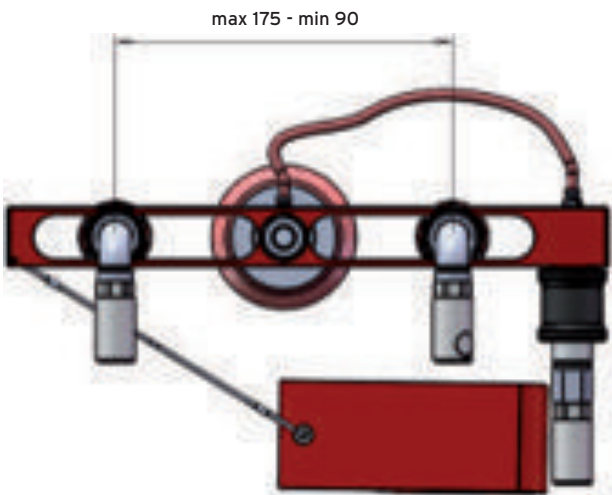
PZ-0202 1 VAC CUP 2 PS

DUAL PS PORTS - SINGLE SUCCION CUP - STATIC PORT ADAPTOR

This adaptor is ideally designed for single or dual separated static ports configuration, when it is not possible to fit multiple suction cups adaptors.



ADJUSTMENT SIZES



PS CONNECTOR OPTION

STBK	STAUBLI/TST RBE 03	with • BLACK CODE
STRD	STAUBLI/TST RBE 03	with • RED CODE
AN4M	AN4 male (JIC 37-74 ANGLE)	with O-Ring
AN6M	AN6 male (JIC 37-74 ANGLE)	with O-Ring

VACCUM CONNECTOR OPTION

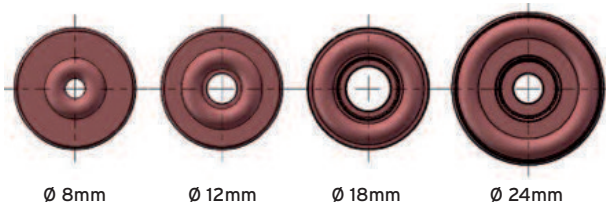
STYE	STAUBLI/TST RBE 03	with • YELLOW CODE
AN5M	AN5 male (JIC 37-74 ANGLE)	with O-RING

HOW TO ORDER

PZ-0202-A- **DOB** - **STBK** - **STYE**

— VACCUM CONNECTOR SIZE
 — PS PORT CONNECTOR SIZE
 — PS PORT SEAL SIZE

PS PORT OPTIONS



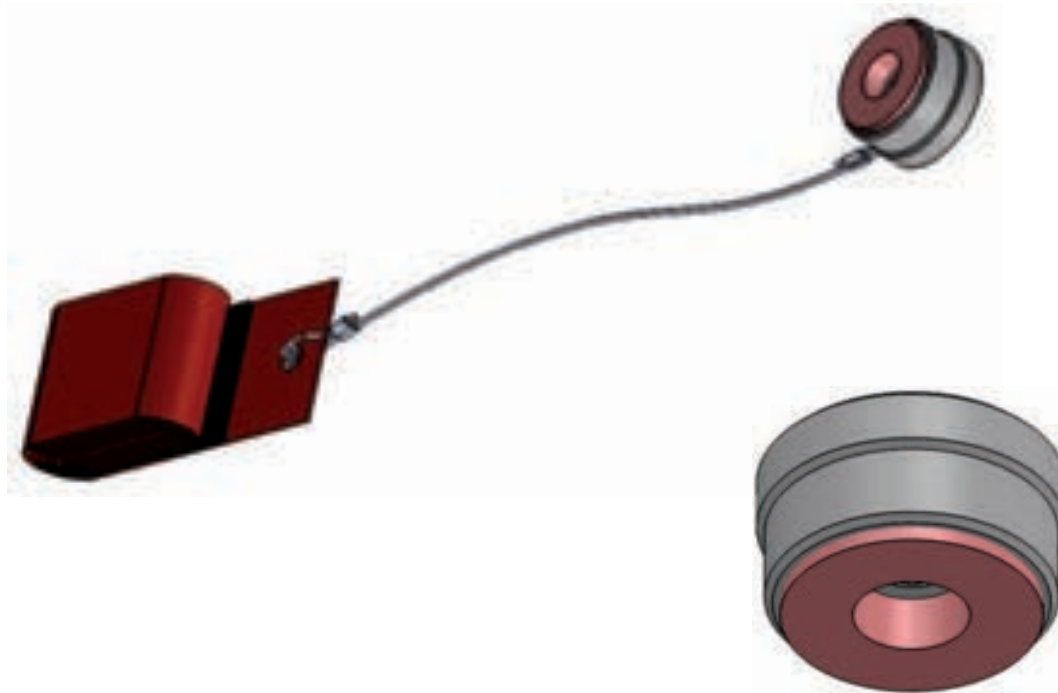
PZ-0221-A-SEAL KIT contains :

- 2x 8mm seals
- 2x 12mm seals
- 2x 18mm seals
- 2x 24mm seals
- 2x Suction cups
- 1x Seal plastic insertion tool

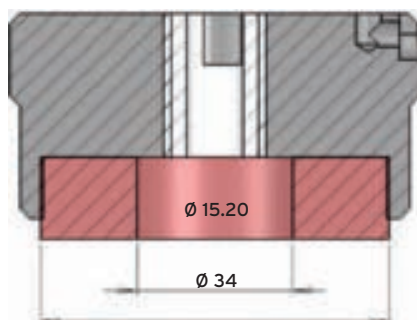
PZ-0204 BELL ROOF PLUG

BELL HELICOPTER - ROOF - STATIC PORT ADAPTOR

This adaptor is ideally designed for BELL helicopter roof static port connection.



ADJUSTMENT SIZES



HOW TO ORDER

PZ-0204-A

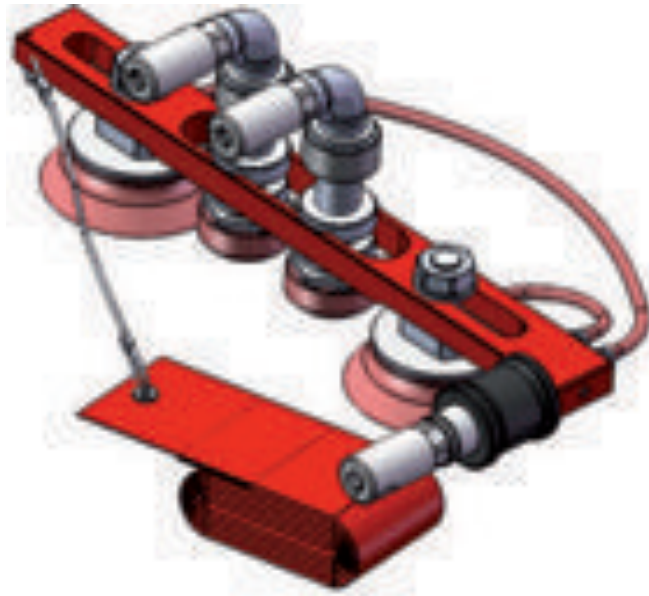
PZ-0204-A-REPLACEMENT SEAL KIT contains :

- 1x 15mm inside diameter seal

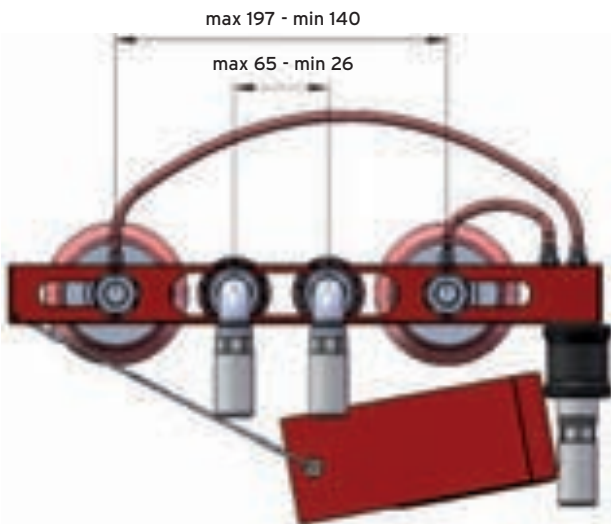
PZ-0217 2 VAC CUPS 2 PS

DUAL PS PORTS - DUAL SUCCION CUPS - STATIC PORT ADAPTATOR

This adaptor is ideally designed for small dual static ports configuration, when it is not possible to fit two independant adaptors.



ADJUSTMENT SIZES



PS CONNECTOR OPTION

STBK	STAUBLI/TST RBE 03	with • BLACK CODE
AN4M	AN4 male (JIC 37-74 ANGLE)	with O-Ring
AN6M	AN6 male (JIC 37-74 ANGLE)	with O-Ring

VACCUM CONNECTOR OPTION

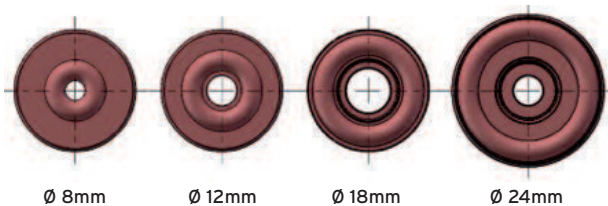
STYE	STAUBLI/TST RBE 03	with • YELLOW CODE
AN5M	AN5 male (JIC 37-74 ANGLE)	with O-RING

HOW TO ORDER

PZ-0217-A- **DO8** - **STBK** - **STYE**

VACCUM CONNECTOR SIZE
PS PORT CONNECTOR SIZE
PS PORT SEAL SIZE

PS PORT OPTIONS



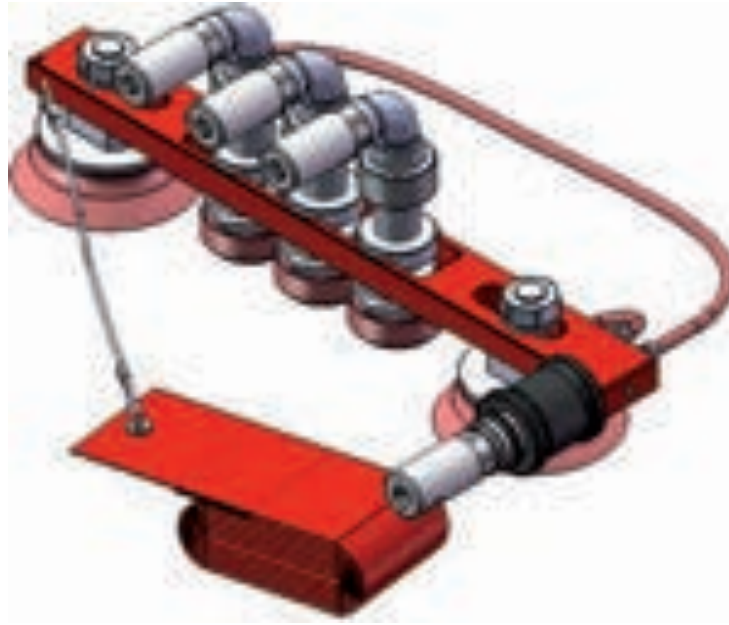
PZ-0221-A-SEAL KIT contains :

- 2x 8mm seals
- 2x 12mm seals
- 2x 18mm seals
- 2x 24mm seals
- 2x Succion cups
- 1x Seal plastic insertion tool

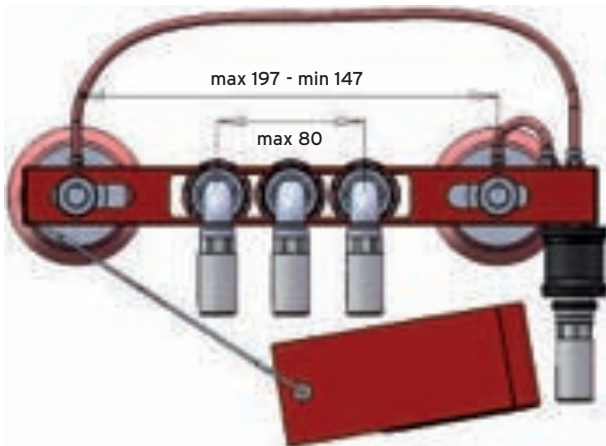
PZ-0222 2 VAC CUPS 3 PS

TRIPLE PS PORTS - DUAL SUCCION CUPS - STATIC PORT ADAPTOR

This adaptor is ideally designed for small triple static ports configuration, when it is not possible to fit three independant adaptors.



ADJUSTMENT SIZES



PS CONNECTOR OPTION

STBK	STAUBLI/TST RBE 03	with • BLACK CODE
AN4M	AN4 male (JIC 37-74 ANGLE)	with O-Ring
AN6M	AN6 male (JIC 37-74 ANGLE)	with O-Ring

VACCUM CONNECTOR OPTION

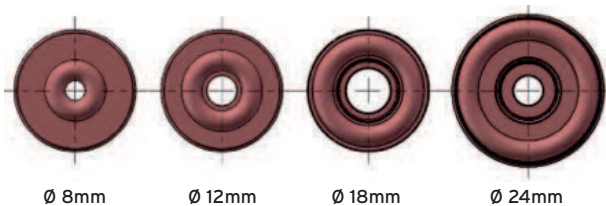
STYE	STAUBLI/TST RBE 03	with • YELLOW CODE
AN5M	AN5 male (JIC 37-74 ANGLE)	with O-RING

HOW TO ORDER

PZ-0222-A- D08 - STBK - STYE

— VACCUM CONNECTOR SIZE
 — PS PORT CONNECTOR SIZE
 — PS PORT SEAL SIZE

PS PORT OPTIONS



PZ-0221-A-SEAL KIT contains :

- 2x 8mm seals
- 2x 12mm seals
- 2x 18mm seals
- 2x 24mm seals
- 2x Succion cups
- 1x Seal plastic insertion tool

PZ-0223 2 VAC CUPS 1 LARGE PS

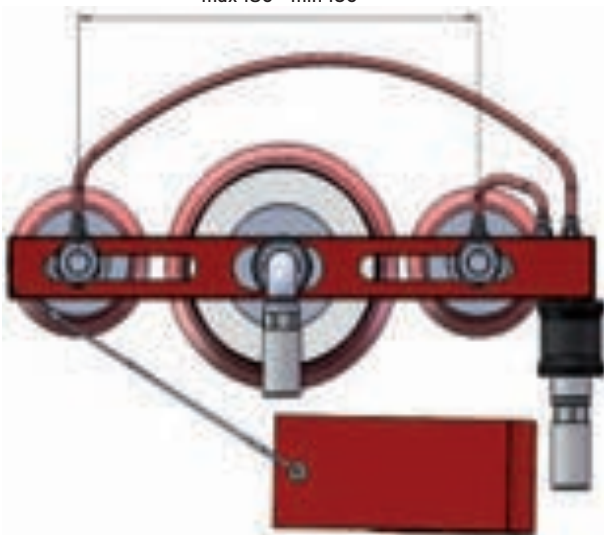
SINGLE LARGE PS PORT - DUAL SUCCION CUPS STATIC PORT ADAPTOR

This adaptor is ideally designed for small triple static ports configuration, when it is not possible to fit three independent adaptors.



ADJUSTMENT SIZES

max 180 - min 160



PS CONNECTOR OPTION

STBK	STAUBLI/TST RBE 03	with • BLACK CODE
AN4M	AN4 male (JIC 37-74 ANGLE)	with O-Ring
AN6M	AN6 male (JIC 37-74 ANGLE)	with O-Ring

VACCUM CONNECTOR OPTION

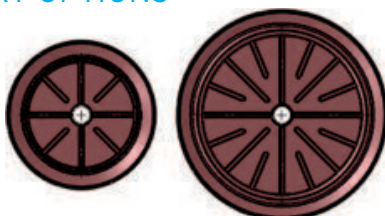
STYE	STAUBLI/TST RBE 03	with • YELLOW CODE
AN5M	AN5 male (JIC 37-74 ANGLE)	with O-RING

HOW TO ORDER

PZ-0223-A- **D50** - **STBK** - **STYE**

— VACCUM CONNECTOR SIZE
 — PS PORT CONNECTOR SIZE
 — PS PORT SEAL SIZE

PS PORT OPTIONS



Ø 50mm

Ø 80mm

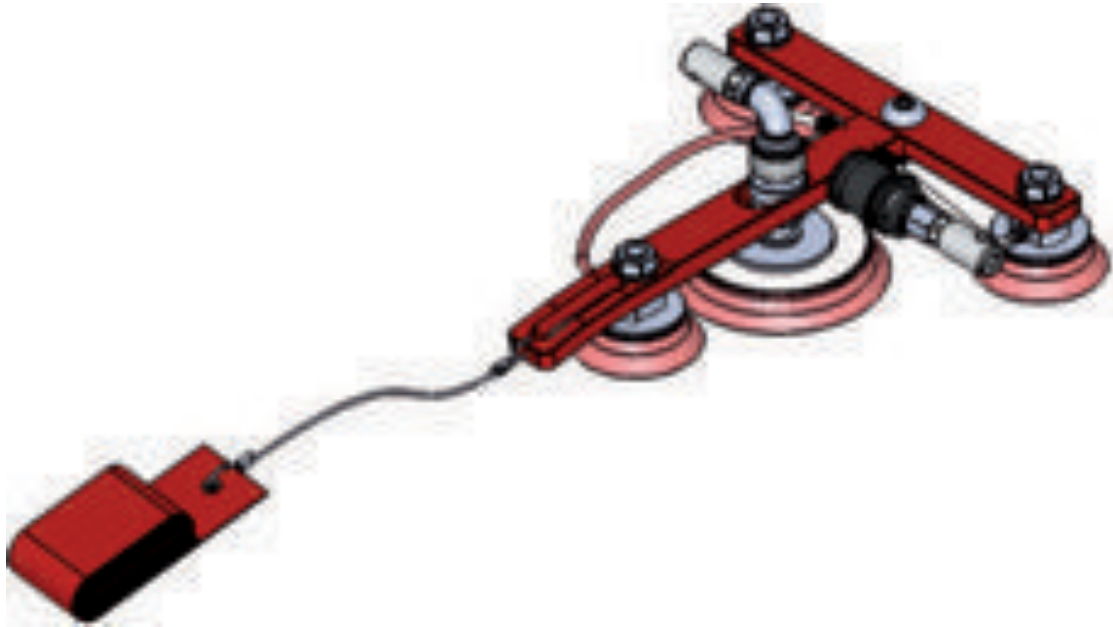
PZ-0224-A-SEAL KIT contains :

- 2x 50mm seals
- 2x 80mm seals
- 2x Suction cups
- 1x Seal plastic insertion tool

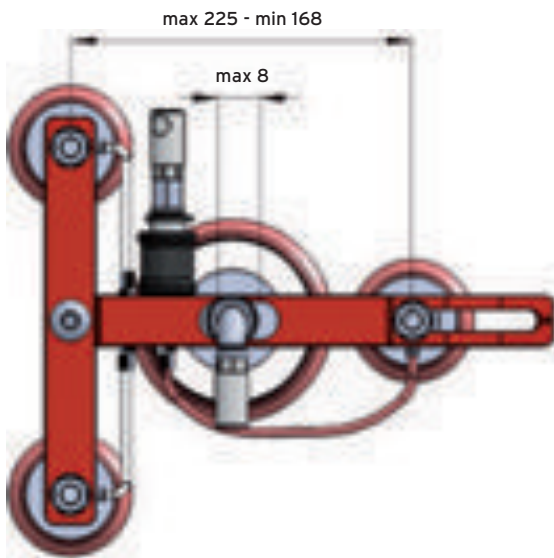
PZ-0224 T3 VAC CUPS LARGE STATIC PORT

SINGLE LARGE STATIC PORT - TRIPLE SUCCION CUPS ADAPTOR

This adaptor is ideally designed for small triple static ports configuration, when it is not possible to fit three independant adaptors.



ADJUSTMENT SIZES



PS CONNECTOR OPTION

STBK	STAUBLI/TST RBE 03	with • BLACK CODE
AN4M	AN4 male (JIC 37-74 ANGLE)	with O-Ring
AN6M	AN6 male (JIC 37-74 ANGLE)	with O-Ring

VACCUM CONNECTOR OPTION

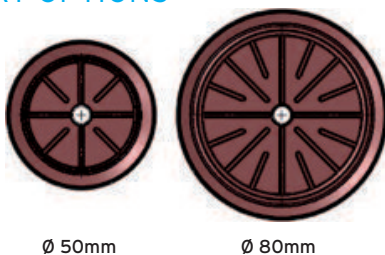
STYE	STAUBLI/TST RBE 03	with • YELLOW CODE
AN5M	AN5 male (JIC 37-74 ANGLE)	with O-RING

HOW TO ORDER

PZ-0224-A- D50 - STBK - STYE

— VACCUM CONNECTOR SIZE
 — PS PORT CONNECTOR SIZE
 — PS PORT SEAL SIZE

PS PORT OPTIONS



PZ-0224-A-SEAL KIT contains :

- 2x 50mm seals
- 2x 80mm seals
- 2x Succion cups
- 1x Seal plastic insertion tool

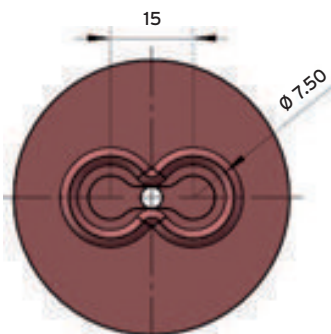
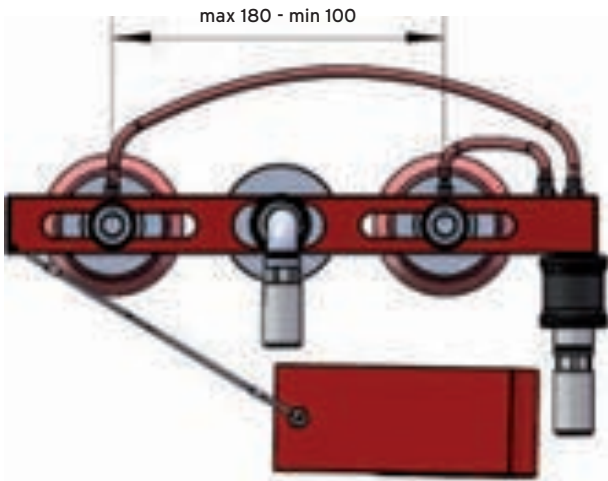
PZ-0227 FALCON2000 2 VAC CUPS 8 SHAPE PS

FALCON 2000 PS PORT - DUAL SUCCION CUPS - STATIC PORT ADAPTOR

This adaptor is ideally designed for the FALCON 2000 static port configuration.



ADJUSTMENT SIZES



PS CONNECTOR OPTION

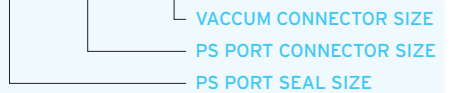
- | | | |
|-------------|----------------------------|-------------------|
| STBK | STAUBLI/TST RBE 03 | with • BLACK CODE |
| AN4M | AN4 male (JIC 37-74 ANGLE) | with O-Ring |
| AN6M | AN6 male (JIC 37-74 ANGLE) | with O-Ring |

VACCUM CONNECTOR OPTION

- | | | |
|-------------|----------------------------|--------------------|
| STYE | STAUBLI/TST RBE 03 | with • YELLOW CODE |
| AN5M | AN5 male (JIC 37-74 ANGLE) | with O-RING |

HOW TO ORDER

PZ-0227-A- F2000 - STBK - STYE



PZ-0227-A-SEAL REPLACEMENT KIT contains :

- 2x F2000 seals
- 2x Succion cups

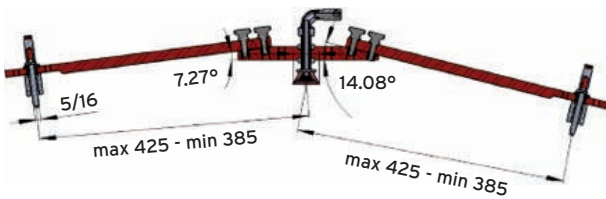
PZ-0229 A380 STDBY

AIRBUS A380 STANDBY PS PORT - DUAL SCREW MOUNT-ADAPTOR

This adaptor is ideally designed for AIRBUS A380 standby static port left or right side.



ADJUSTMENT SIZES



PS CONNECTOR OPTION

STBK	STAUBLI/TST RBE 03	with • BLACK CODE
AN4M	AN4 male (JIC 37-74 ANGLE)	with O-Ring
AN6M	AN6 male (JIC 37-74 ANGLE)	with O-Ring

HOW TO ORDER

PZ-0229-A- DCUP - STBK

PS PORT CONNECTOR SIZE
PS PORT SEAL SIZE

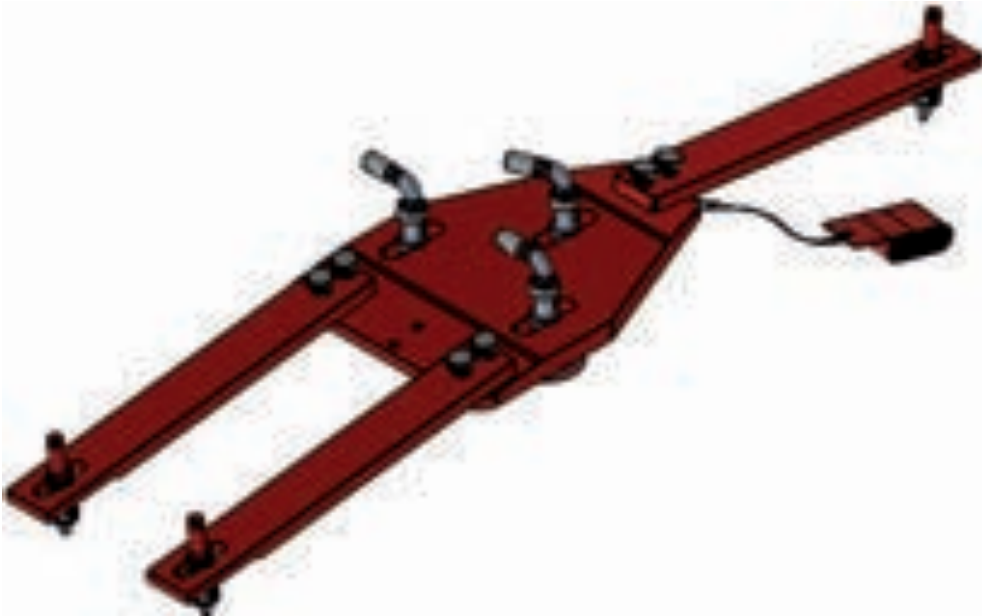
PZ-0107-A-REPLACEMENT CUP SEAL contains :

- 2x 40mm outside diameter cup seals

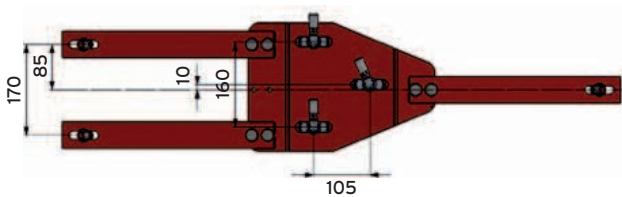
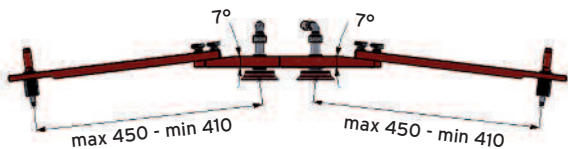
PZ-0230 A380 LEFT ISP

AIRBUS A380 LEFT ISP PORT - TRIPLE SCREW MOUNT-ADAPTOR

This adaptor is ideally designed for AIRBUS A380 left side ISP (Integrated Static Probe) multiple static port. One arm can be dismantled and stored on the other side of the adaptor for storage.



ADJUSTMENT SIZES



PS CONNECTOR OPTION

STBK	STAUBLI/TST RBE 03	with • BLACK CODE
AN4M	AN4 male (JIC 37-74 ANGLE)	with O-Ring
AN6M	AN6 male (JIC 37-74 ANGLE)	with O-Ring

HOW TO ORDER

PZ-0230-A- **DCUP** - **STBK**

PS PORT CONNECTOR SIZE
PS PORT SEAL SIZE

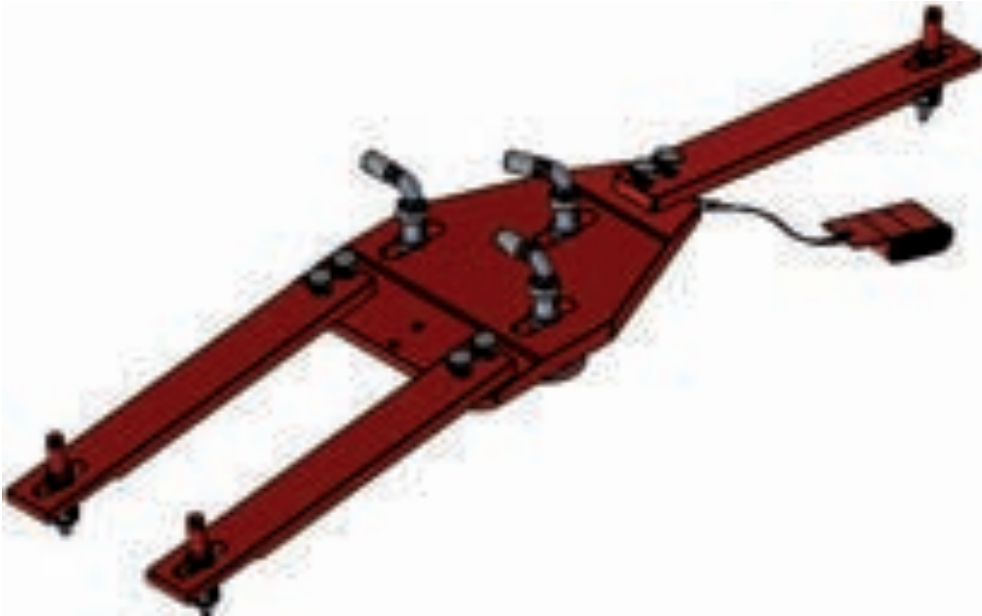
PZ-0107-A-REPLACEMENT CUP SEAL contains :

- 2x 40mm outside diameter cup seals

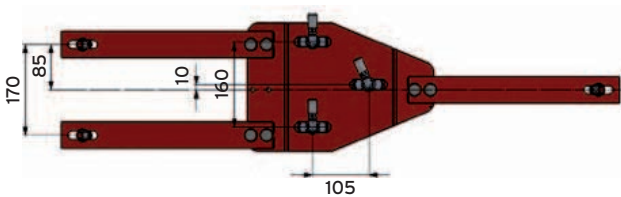
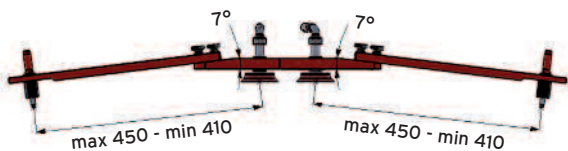
PZ-0231 A380 RIGHT ISP

AIRBUS A380 RIGHT ISP PORT - TRIPLE SCREW MOUNT-ADAPTOR

This adaptor is ideally designed for AIRBUS A380 right side ISP (Integrated Static Probe) multiple static port. One arm can be dismantled and stored on the other side of the adaptor for storage.



ADJUSTMENT SIZES



PS CONNECTOR OPTION

STBK	STAUBLI/TST RBE 03	with • BLACK CODE
AN4M	AN4 male (JIC 37-74 ANGLE)	with O-Ring
AN6M	AN6 male (JIC 37-74 ANGLE)	with O-Ring

HOW TO ORDER

PZ-0231-A- **DCUP** - **STBK**

PS PORT CONNECTOR SIZE
PS PORT SEAL SIZE

PZ-0107-A-REPLACEMENT CUP SEAL contains :

- 2x 40mm outside diameter cup seals

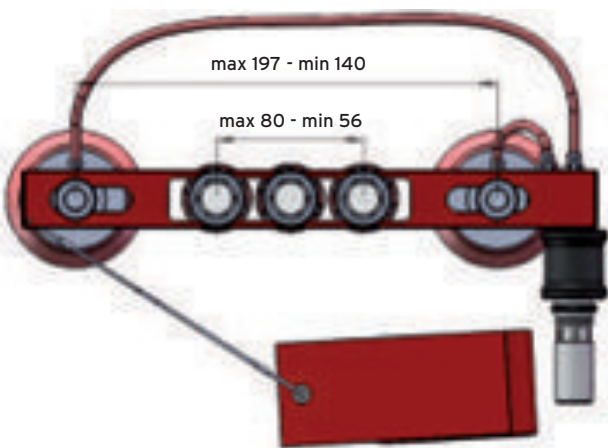
PZ-0232 3 CLOSED PS 2VAC CUPS

TRIPLE PS PORTS CLOSED - DUAL SUCCION CUPS - STATIC PORT ADAPTOR

This adaptor is ideally designed to plug small triple static ports configuration, when it is not possible or safe to fit three independent plugs.



ADJUSTMENT SIZES



PS CONNECTOR OPTION

PLUG	PLUGS on each static port	
STBK	STAUBLI/TST RBE 03	with • BLACK CODE
AN4M	AN4 male (JIC 37-74 ANGLE)	with O-Ring
AN6M	AN6 male (JIC 37-74 ANGLE)	with O-Ring

VACCUM CONNECTOR OPTION

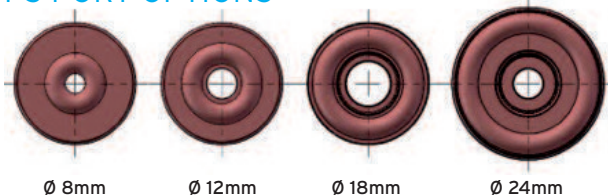
STYE	STAUBLI/TST RBE 03	with • YELLOW CODE
AN5M	AN5 male (JIC 37-74 ANGLE)	with O-RING

HOW TO ORDER

PZ-0222-A- **DOB** - **STBK** - **STYE**

— VACCUM CONNECTOR SIZE
 — PS PORT CONNECTOR SIZE
 — PS PORT SEAL SIZE

PS PORT OPTIONS



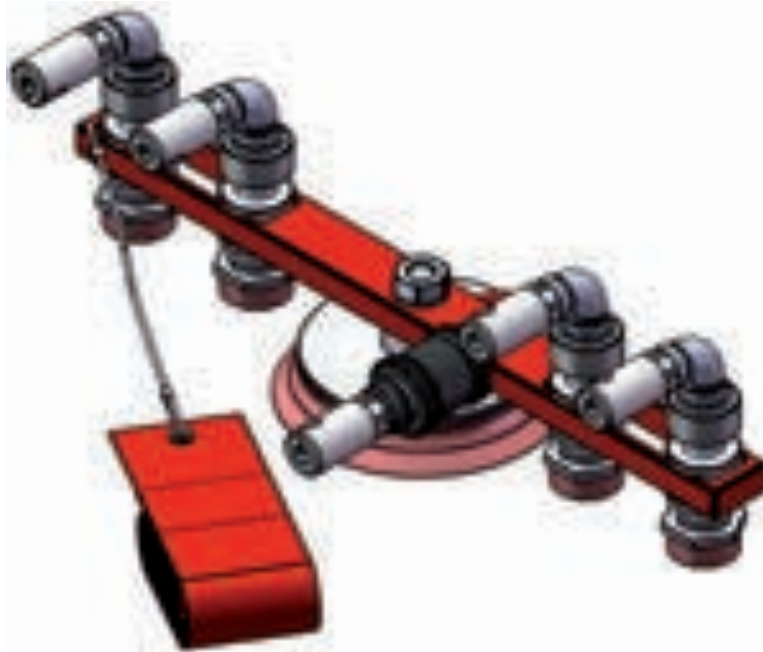
PZ-0221-A-SEAL KIT contains :

- 2x 8mm seals
- 2x 12mm seals
- 2x 18mm seals
- 2x 24mm seals
- 2x Succion cups
- 1x Seal plastic insertion tool

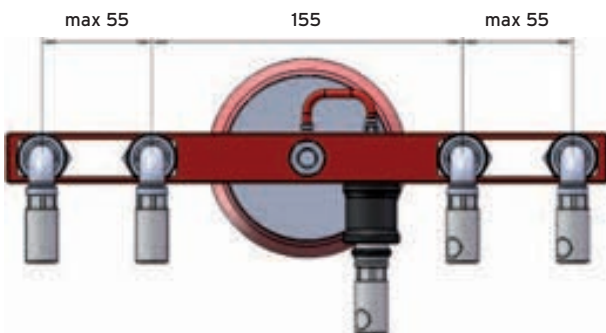
PZ-0233 FENNEC QUAD STATIC

FENNEC TRIPLE PS PORTS - DUAL SUCCION CUPS STATIC PORT ADAPTOR

This adaptor is ideally designed for the Fennec dual or quadruple static ports configuration, when it is not possible to fit two independent adaptors.



ADJUSTMENT SIZES



PS CONNECTOR OPTION

STBK	STAUBLI/TST RBE 03	with • BLACK CODE
AN4M	AN4 male (JIC 37-74 ANGLE)	with O-Ring
AN6M	AN6 male (JIC 37-74 ANGLE)	with O-Ring

VACCUM CONNECTOR OPTION

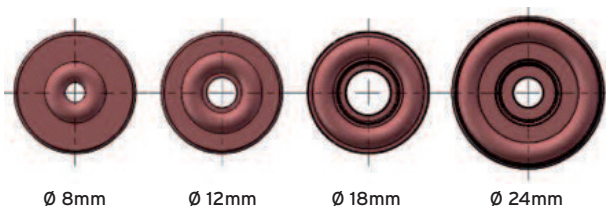
STYE	STAUBLI/TST RBE 03	with • YELLOW CODE
AN5M	AN5 male (JIC 37-74 ANGLE)	with O-RING

HOW TO ORDER

PZ-0233-A- D08 - STBK - STYE

— VACCUM CONNECTOR SIZE
— PS PORT CONNECTOR SIZE
— PS PORT SEAL SIZE

PS PORT OPTIONS

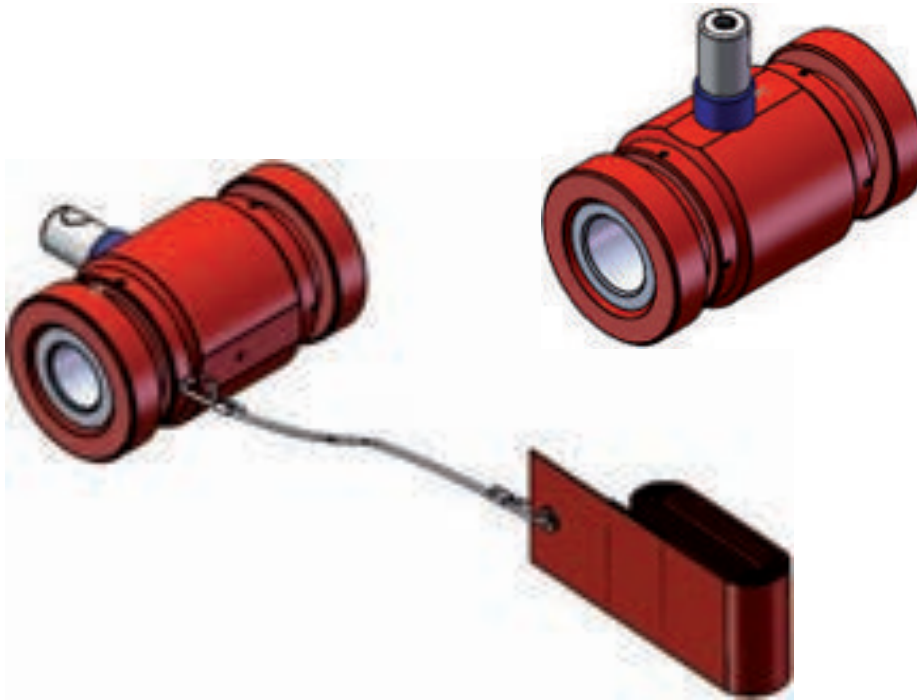


PZ-0221-A-SEAL KIT contains :

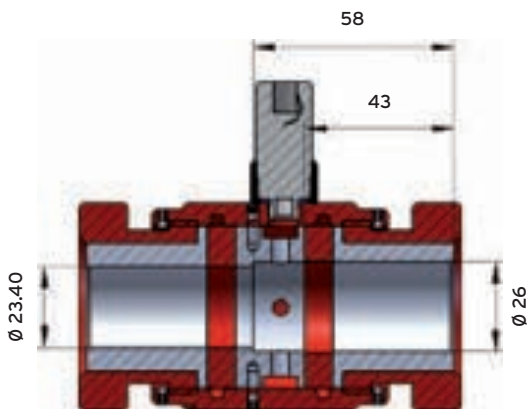
- 2x 8mm seals
- 2x 12mm seals
- 2x 18mm seals
- 2x 24mm seals
- 2x Suction cups
- 1x Seal plastic insertion tool

PZ-0236 SINGLE THROUGH STATIC 23MM CESNA GRAND-CARVAN PS ADAPTOR DIA.23

This adaptor is ideally designed for PITOT tube through hole static ports configuration when the position of the static holes prohibits a combined adaptor.



ADJUSTMENT SIZES



PS CONNECTOR OPTION

STBK	STAUBLI/TST RBE 03	with • BLACK CODE
AN4M	AN4 male (JIC 37-74 ANGLE)	with O-Ring
AN6M	AN6 male (JIC 37-74 ANGLE)	with O-Ring

HOW TO ORDER

PZ-0236-A- **STBK**

PS PORT CONNECTOR SIZE

PZ-0236-A-SEAL REPLACEMENT KIT contains :

- 23mm and 26mm inside diameter seals

THIS ADAPTER CAN ALSO BE MANUFACTURED

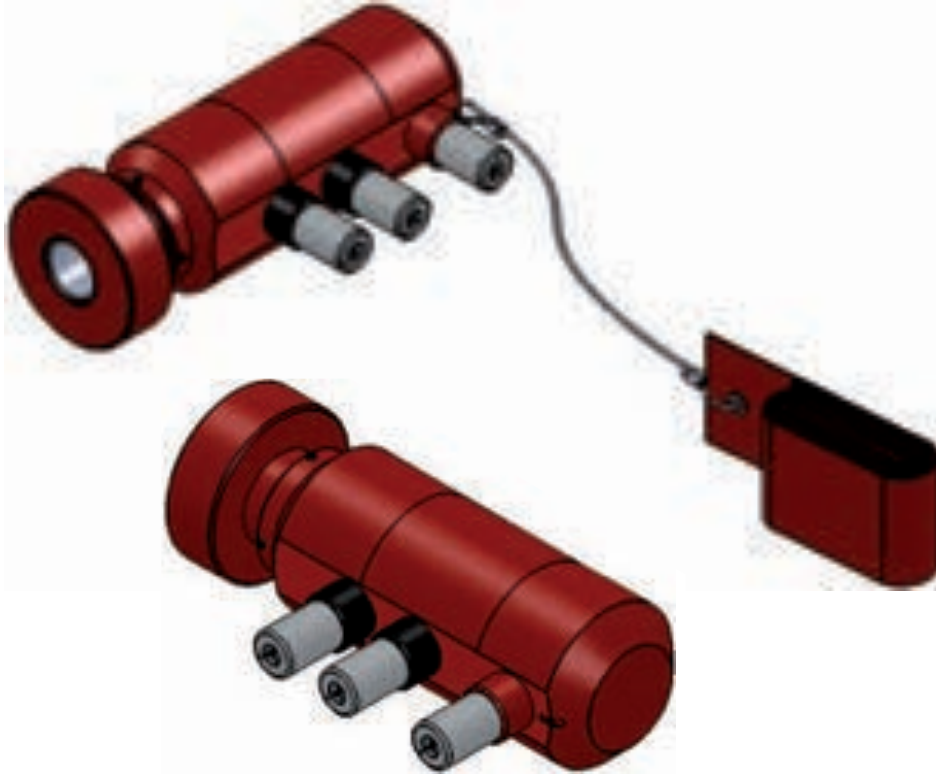
in **21mm, 23mm, 25mm and 27mm**

PLEASE DO NOT HESITATE TO CONTACT US.

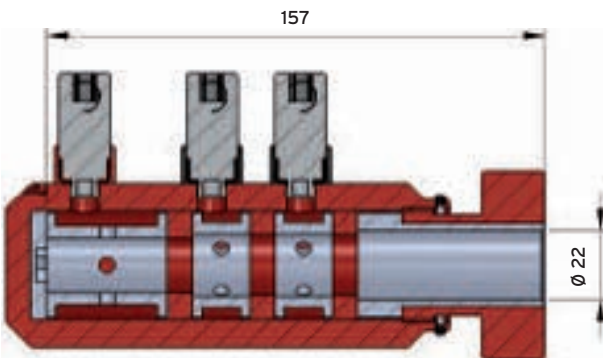
PZ-0131 NH90 2PS 1PT

NH90 TRIPLE PS PORTS - SINGLE DYNAMIC PORT ADAPTOR

This adaptor is ideally designed for the NH90 airplane.



ADJUSTMENT SIZES



PS CONNECTOR OPTION

STBK	STAUBLI/TST RBE 03	with • BLACK CODE
AN4M	AN4 male (JIC 37-74 ANGLE)	with O-Ring
AN6M	AN6 male (JIC 37-74 ANGLE)	with O-Ring

PT CONNECTOR OPTION

STRD	STAUBLI/TST RBE 03	with • RED CODE
AN3M	AN3 male (JIC 37-74 ANGLE)	with O-RING
AN4M	AN4 male (JIC 37-74 ANGLE)	with O-RING

HOW TO ORDER

PZ-0131-A- **STBK** - **STRD**



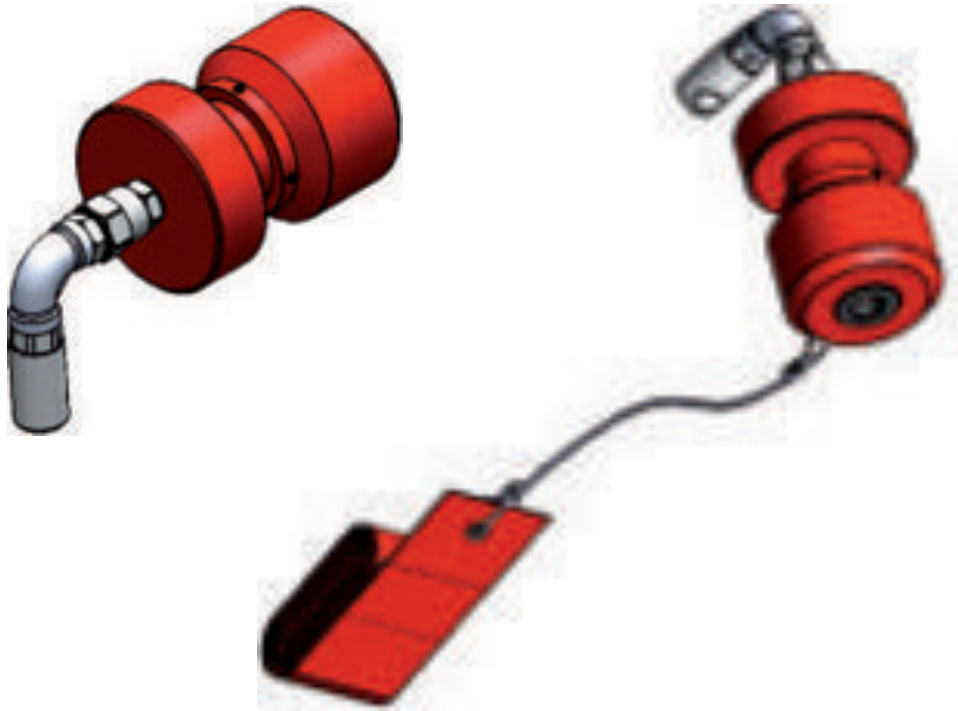
PZ-0131-A-SEAL REPLACEMENT KIT contains :

- 4x 20mm inside diameter seals

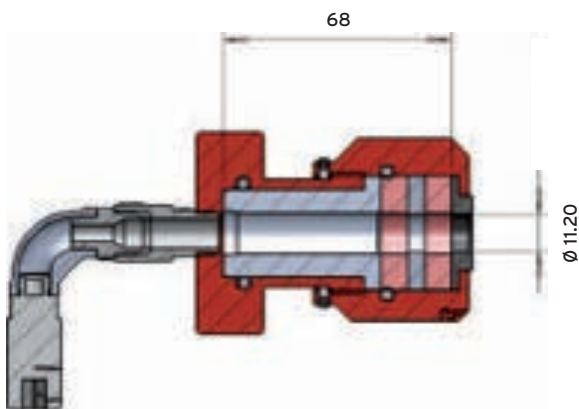
PZ-0145 SINGLE PT 9-11

SINGLE DYNAMIC PORT ADAPTOR 9-11MM DIAMETER RANGE

This adaptor is ideally designed for small single dynamic ports configuration 9-11mm diameter.



ADJUSTMENT SIZES



PT CONNECTOR OPTION

STRD	STAUBLI/TST RBE 03	with • RED CODE
AN3M	AN3 male (JIC 37-74 ANGLE)	with O-Ring
AN4M	AN4 male (JIC 37-74 ANGLE)	with O-Ring

HOW TO ORDER

PZ-0145-A- **STRD**

PT PORT CONNECTOR SIZE

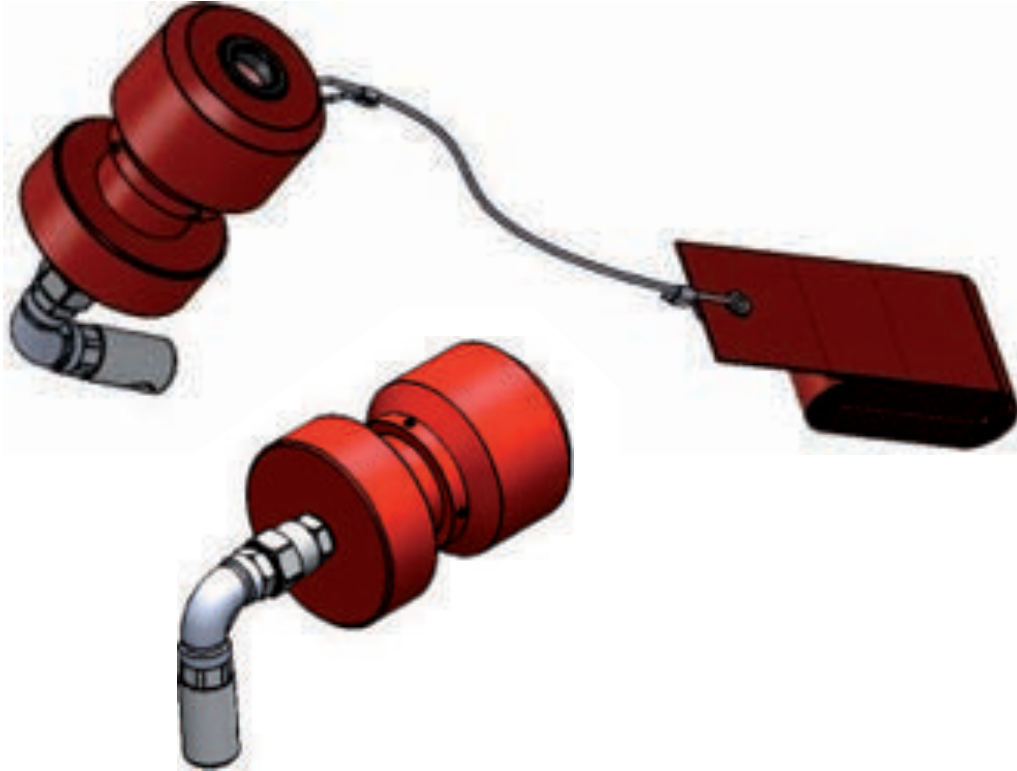
PZ-0145-A-SEAL REPLACEMENT KIT contains :

- 2x 11mm inside diameter seals

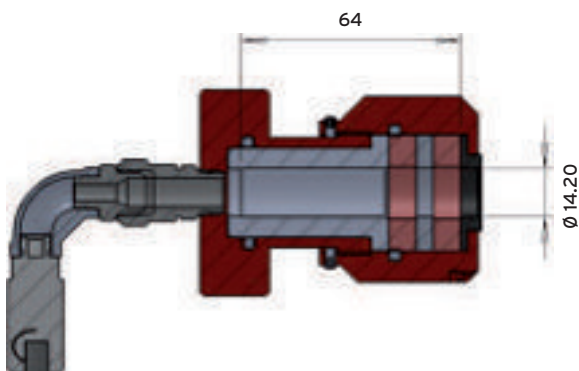
PZ-0148 SINGLE PT 12-14

SINGLE DYNAMIC PORT ADAPTOR 12-14MM DIAMETER RANGE

This adaptor is ideally designed for PITOT tubes dynamic port connection 12-14mm diameter



ADJUSTMENT SIZES



PT CONNECTOR OPTION

STRD	STAUBLI/TST RBE 03	with • RED CODE
AN3M	AN3 male (JIC 37-74 ANGLE)	with O-Ring
AN4M	AN4 male (JIC 37-74 ANGLE)	with O-Ring

HOW TO ORDER

PZ-0148-A- **STRD**

PT PORT CONNECTOR SIZE

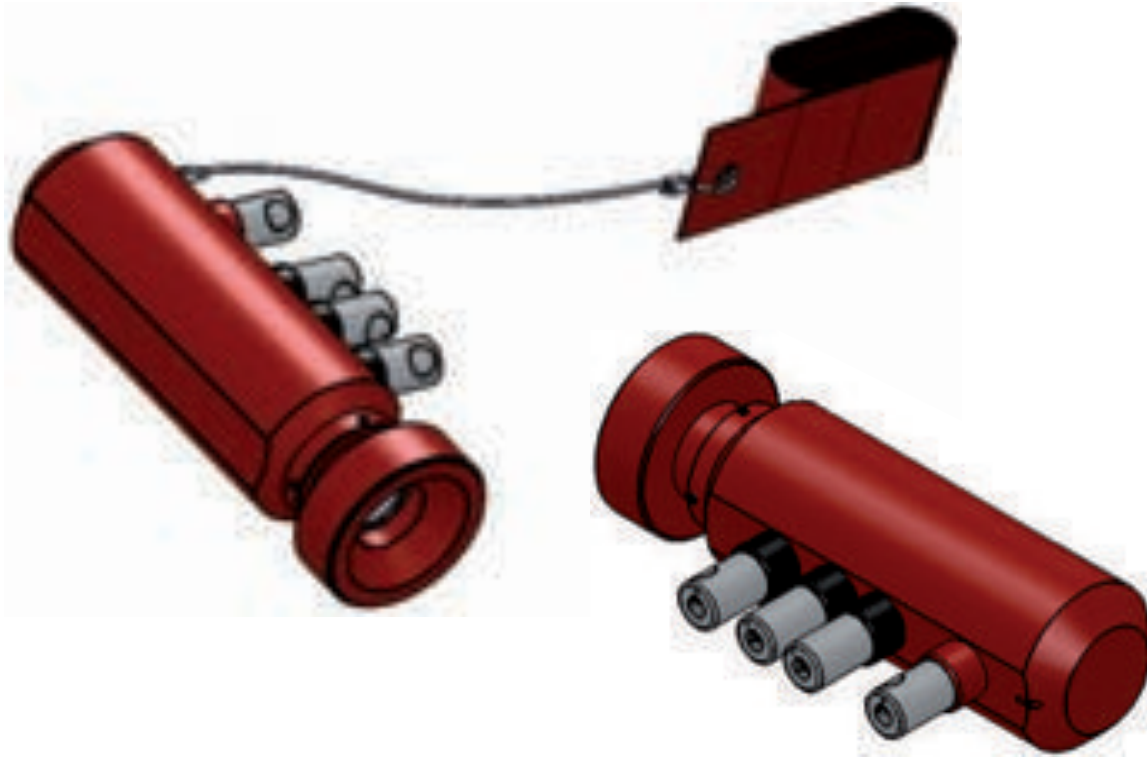
PZ-0148-A-SEAL REPLACEMENT KIT contains :

- 2x 14mm inside diameter seals

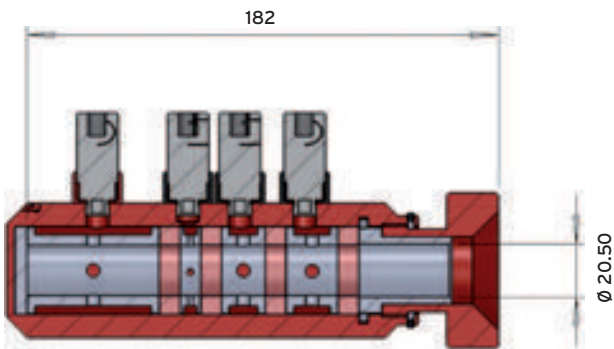
PZ-0150 NH90 3PS 1PT

NH90 TRIPLE PS PORTS - SINGLE DYNAMIC PORT ADAPTOR

This adaptor is ideally designed for the NH90 airplane.



ADJUSTMENT SIZES



PS CONNECTOR OPTION

STBK	STAUBLI/TST RBE 03	with • BLACK CODE
AN4M	AN4 male (JIC 37-74 ANGLE)	with O-Ring
AN6M	AN6 male (JIC 37-74 ANGLE)	with O-Ring

PT CONNECTOR OPTION

STRD	STAUBLI/TST RBE 03	with • RED CODE
AN3M	AN3 male (JIC 37-74 ANGLE)	with O-RING
AN4M	AN4 male (JIC 37-74 ANGLE)	with O-RING

HOW TO ORDER

PZ-0150-A- **STBK** - **STRD**

PT PORT CONNECTOR SIZE
PS PORT CONNECTOR SIZE

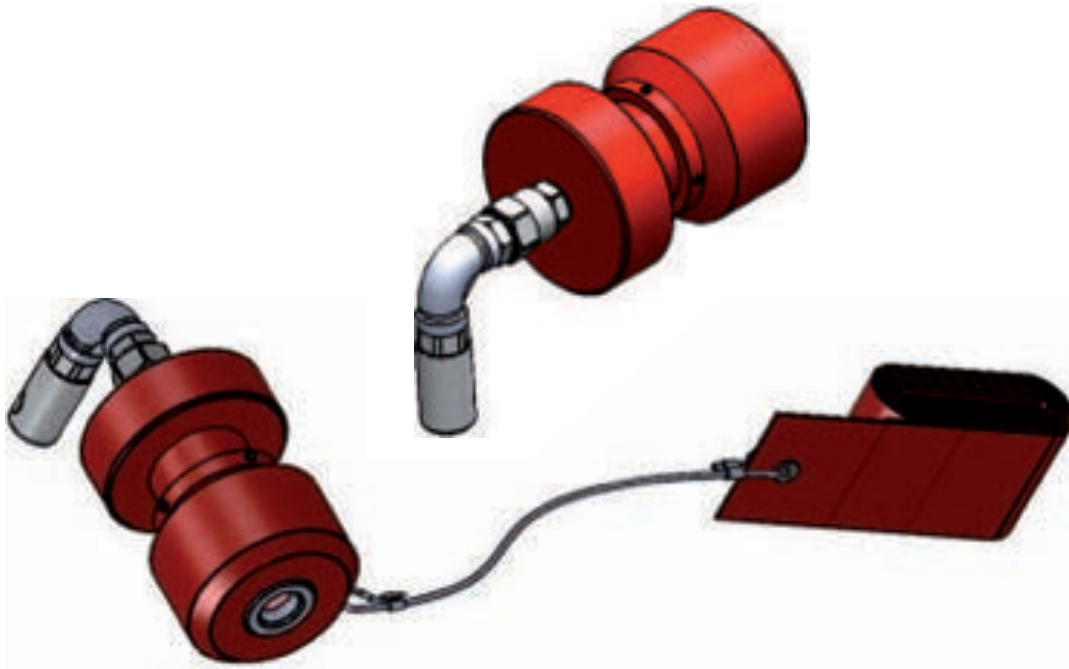
PZ-0150-A-SEAL REPLACEMENT KIT contains :

- 4x 20mm inside diameter seals

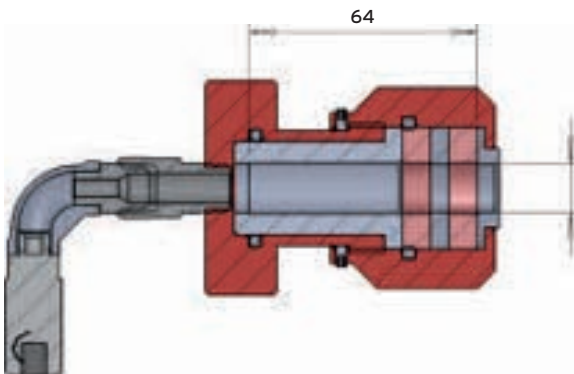
PZ-0151 SINGLE PT 11-13

SINGLE DYNAMIC PORT ADAPTOR 11-13MM DIAMETER RANGE

This adaptor is ideally designed for PITOT tubes dynamic port connection 11-12 diameter range.



ADJUSTMENT SIZES



PT CONNECTOR OPTION

STRD	STAUBLI/TST RBE 03	with • RED CODE
AN3M	AN3 male (JIC 37-74 ANGLE)	with O-Ring
AN4M	AN4 male (JIC 37-74 ANGLE)	with O-Ring

HOW TO ORDER

PZ-0151-A-STRD

PT PORT CONNECTOR SIZE

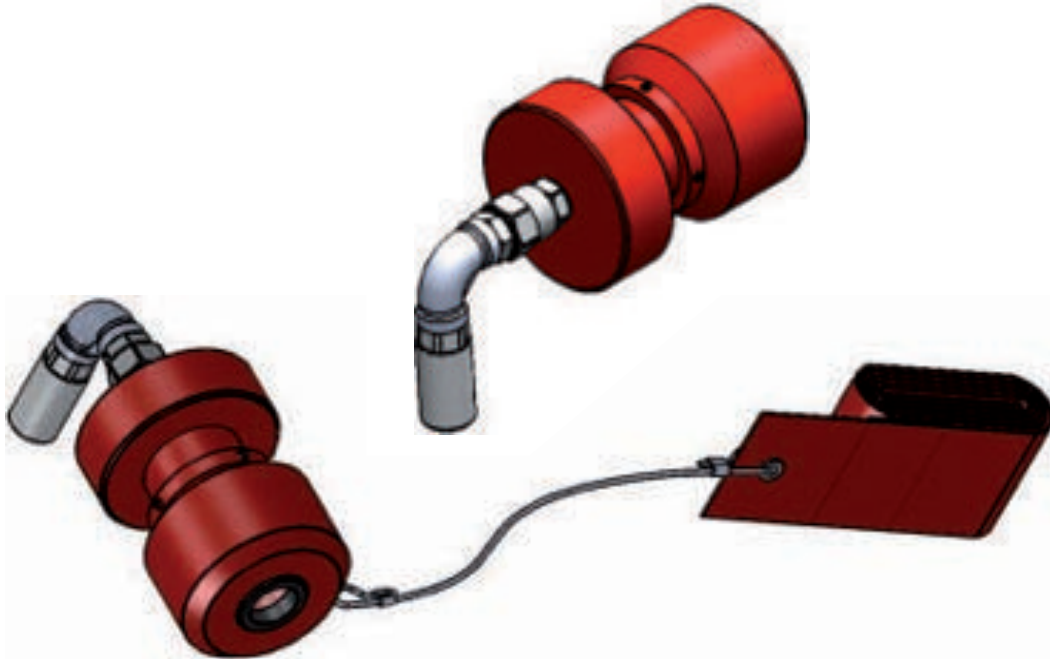
PZ-0151-A-SEAL REPLACEMENT KIT contains :

- 2x 13mm inside diameter seals

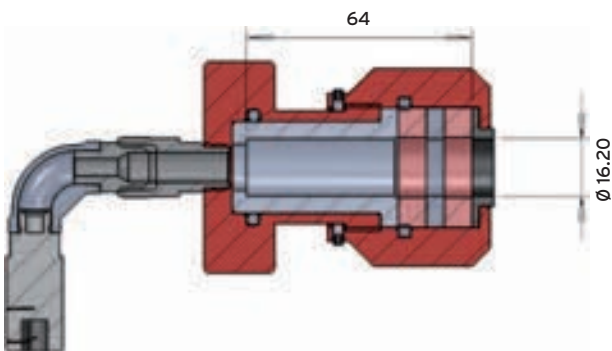
PZ-0152 SINGLE PT 14-16

SINGLE DYNAMIC PORT ADAPTOR 14-16MM DIAMETER RANGE

This adaptor is ideally designed for single PITOT tube dynamic port configuration 14-16mm diameter range.



ADJUSTMENT SIZES



PT CONNECTOR OPTION

STRD	STAUBLI/TST RBE 03	with • RED CODE
AN3M	AN3 male (JIC 37-74 ANGLE)	with O-Ring
AN4M	AN4 male (JIC 37-74 ANGLE)	with O-Ring

HOW TO ORDER

PZ-0152-A- **STRD**

PT PORT CONNECTOR SIZE

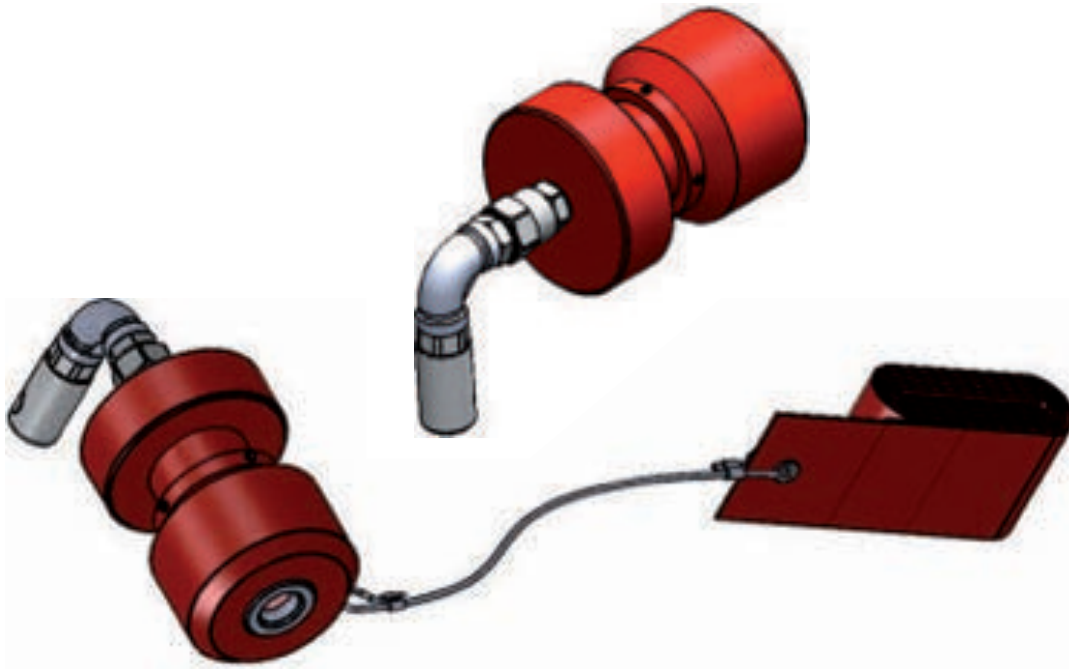
PZ-0152-A-SEAL REPLACEMENT KIT contains :

- 2x 16mm inside diameter seals

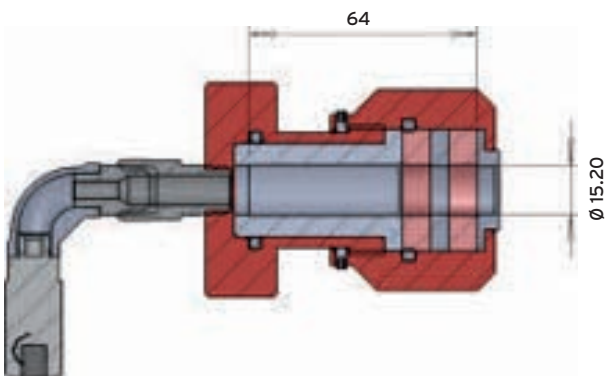
PZ-0153 SINGLE PT 13-15

SINGLE DYNAMIC PORT ADAPTOR 13-15MM DIAMETER RANGE

This adaptor is ideally designed for single PITOT tube dynamic port configuration in the 13-15mm diameter range.



ADJUSTMENT SIZES



PT CONNECTOR OPTION

STRD	STAUBLI/TST RBE 03	with • RED CODE
AN3M	AN3 male (JIC 37-74 ANGLE)	with O-Ring
AN4M	AN4 male (JIC 37-74 ANGLE)	with O-Ring

HOW TO ORDER

PZ-0153-A- **STRD**

PT PORT CONNECTOR SIZE

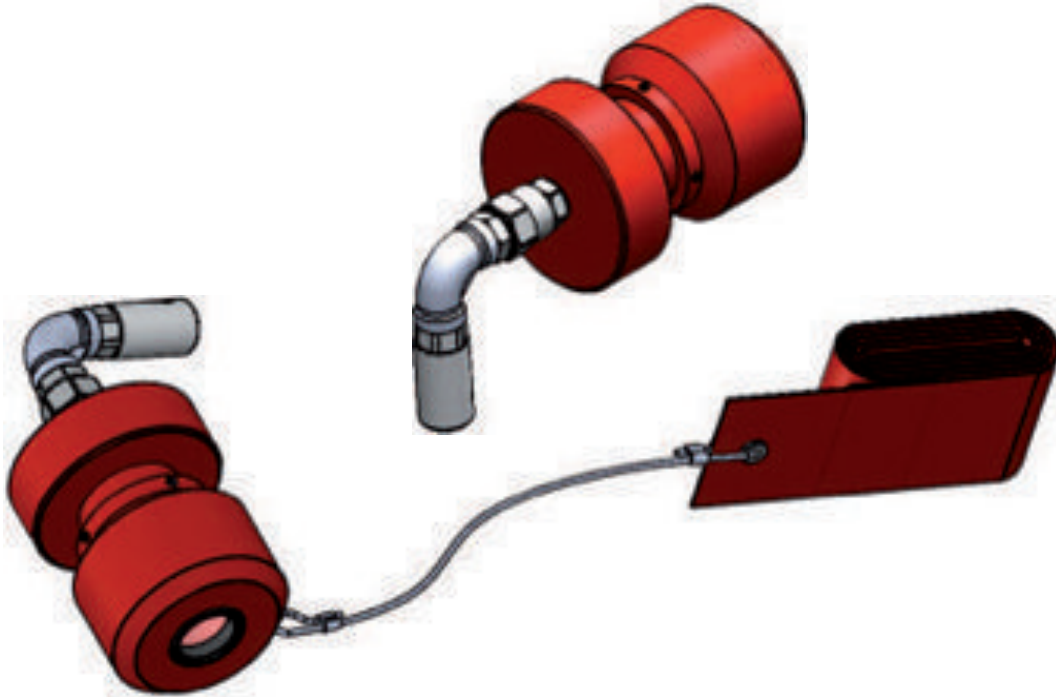
PZ-0153-A-SEAL REPLACEMENT KIT contains :

- 2x 15mm inside diameter seals

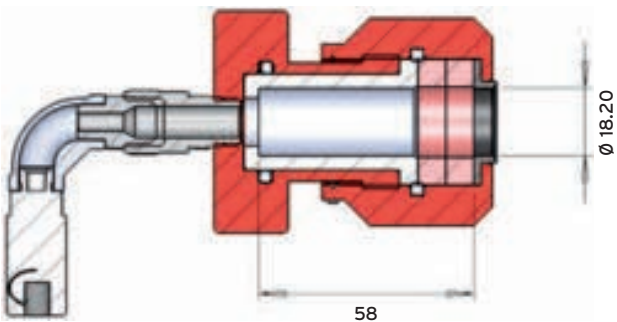
PZ-0154 SINGLE SHORT PT 16-18

SINGLE SHORT 16-18MM DIAMETER RANGE DYNAMIC PORT ADAPTOR

This adaptor is ideally designed for short CARACAL PITOT tubes in the 16-18mm range.



ADJUSTMENT SIZES



PT CONNECTOR OPTION

STRD	STAUBLI/TST RBE 03	with • RED CODE
AN3M	AN3 male (JIC 37-74 ANGLE)	with O-Ring
AN4M	AN4 male (JIC 37-74 ANGLE)	with O-Ring

HOW TO ORDER

PZ-0154-A-**STRD**

PT PORT CONNECTOR SIZE

PZ-0154-A-SEAL REPLACEMENT KIT contains :

- 2x 18mm inside diameter seals

THIS ADAPTER CAN ALSO BE MANUFACTURED

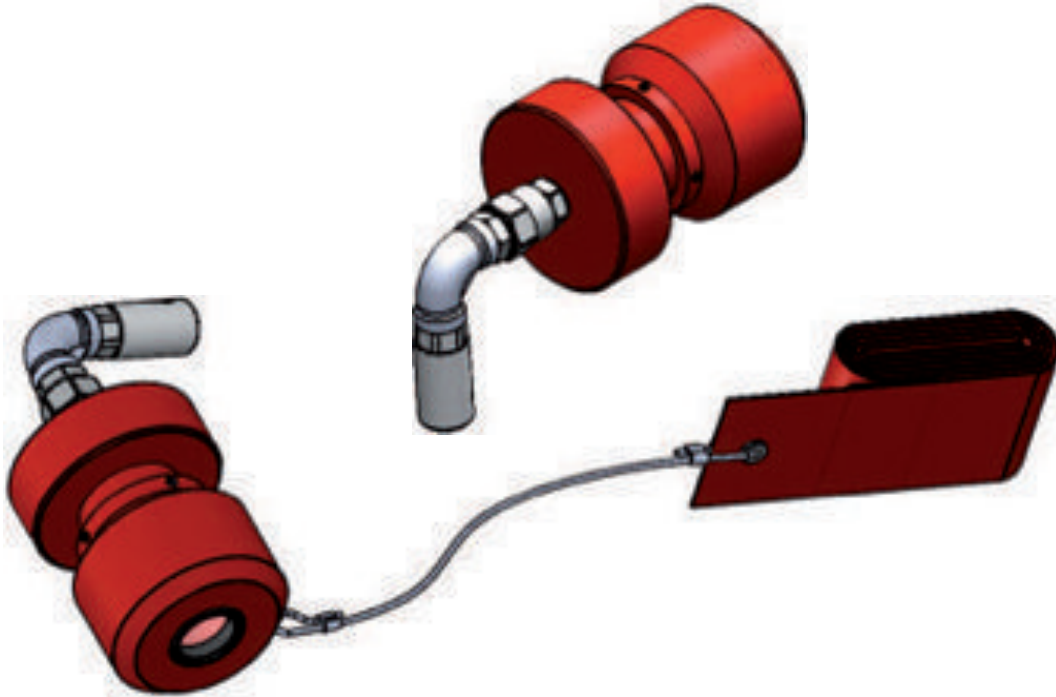
in **9-11mm, 10-12mm, 12-14mm, 14-16mm, 16-18mm** and **18-20mm**

DO NOT HESITATE FOR ANY SPECIAL ORDER.

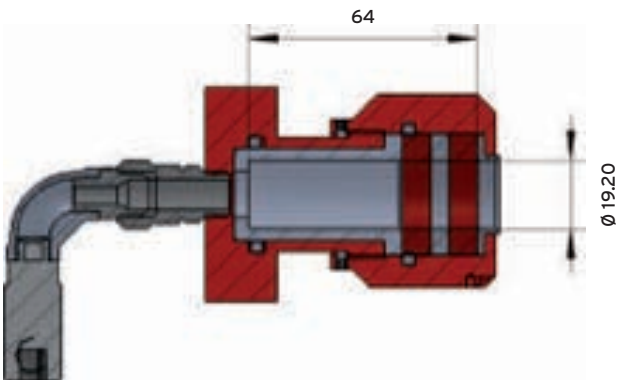
PZ-0155 SINGLE PT 17-19

SINGLE 17-19MM DIAMETER RANGE DYNAMIC PORT ADAPTOR

This adaptor is ideally designed for short CARACAL PITOT tubes in the 17-19mm range.



ADJUSTMENT SIZES



PT CONNECTOR OPTION

STRD	STAUBLI/TST RBE 03	with • RED CODE
AN3M	AN3 male (JIC 37-74 ANGLE)	with O-Ring
AN4M	AN4 male (JIC 37-74 ANGLE)	with O-Ring

HOW TO ORDER

PZ-0155-A- STRD
 ————— PT PORT CONNECTOR SIZE

PZ-0154-A-SEAL REPLACEMENT KIT contains :

- 2x 18mm inside diameter seals

THIS ADAPTER CAN ALSO BE MANUFACTURED

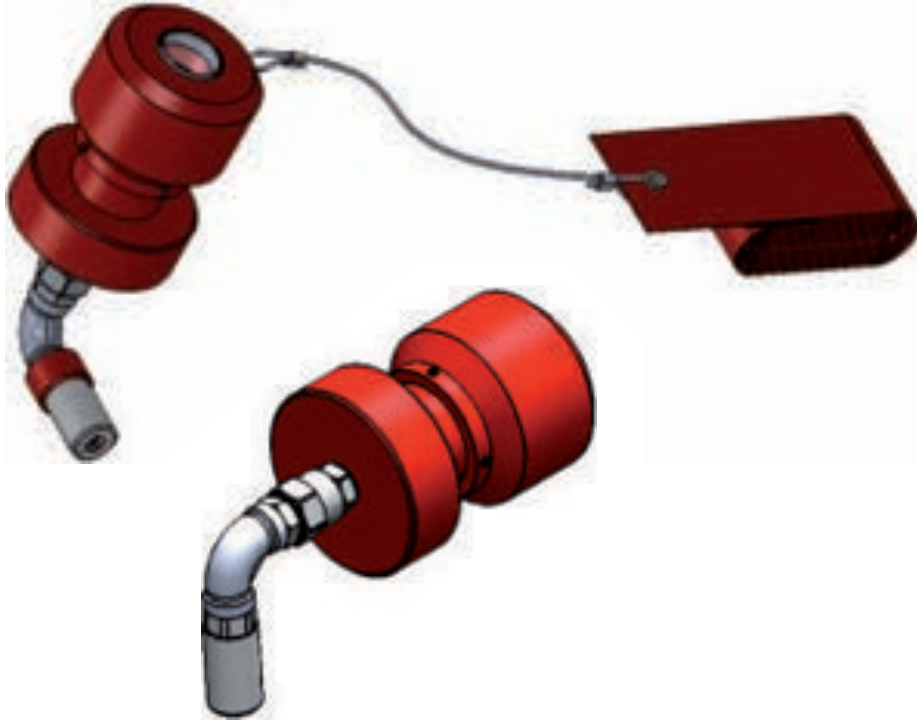
in **9-11mm, 10-12mm, 12-14mm** and **14-16mm**

DO NOT HESITATE FOR ANY SPECIAL ORDER.

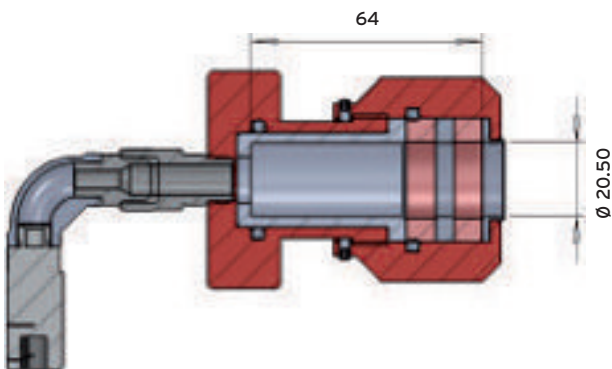
PZ-0156 SINGLE PT 18-20MM

SINGLE DYNAMIC PORT ADAPTOR 18-20MM DIAMETER RANGE

This adaptor is ideally designed for single PITOT dynamic port configuration, 18-20mm diameter range.



ADJUSTMENT SIZES



PT CONNECTOR OPTION

STRD	STAUBLI/TST RBE 03	with • RED CODE
AN3M	AN3 male (JIC 37-74 ANGLE)	with O-Ring
AN4M	AN4 male (JIC 37-74 ANGLE)	with O-Ring

HOW TO ORDER

PZ-0156-A- **STRD**

PT PORT CONNECTOR SIZE

PZ-0156-A-SEAL REPLACEMENT KIT contains :

- 2x 20mm inside diameter seals

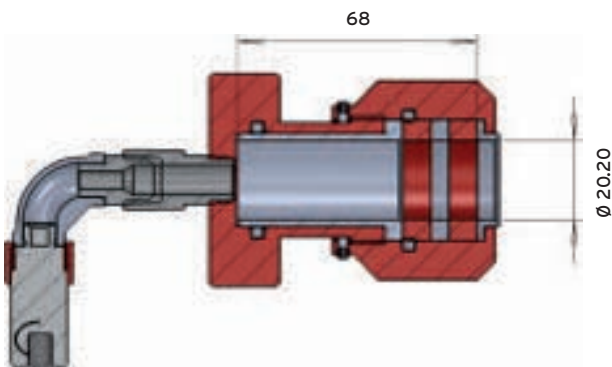
PZ-0160 SINGLE PT 20-22MM

SINGLE DYNAMIC PORT ADAPTOR 20-22MM DIAMETER RANGE

This adaptor is ideally designed for single PITOT dynamic port configuration, 20-22mm diameter range.



ADJUSTMENT SIZES



PT CONNECTOR OPTION

STRD	STAUBLI/TST RBE 03	with • RED CODE
AN3M	AN3 male (JIC 37-74 ANGLE)	with O-Ring
AN4M	AN4 male (JIC 37-74 ANGLE)	with O-Ring

HOW TO ORDER

PZ-0160-A- **STRD**

PT PORT CONNECTOR SIZE

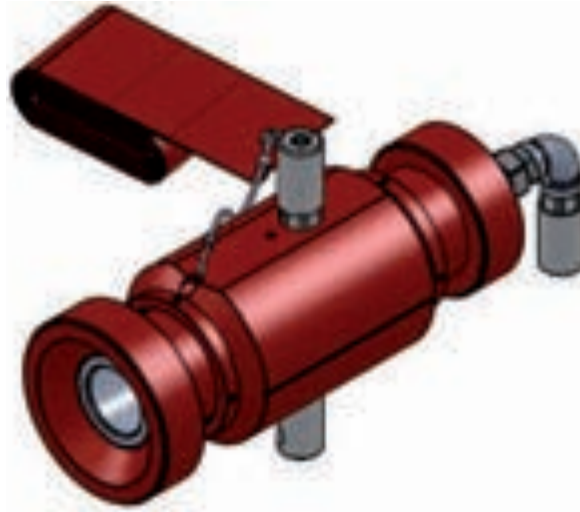
PZ-0160-A-SEAL REPLACEMENT KIT contains :

- 2x 22mm inside diameter seals

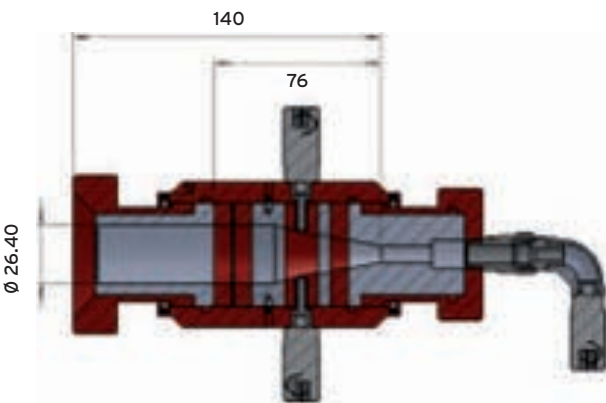
PZ-0176 SMART PROBE 26MM

SINGLE 26MM "SMART PROBE" PT/AOA - COMBINED ADAPTOR

This adaptor is ideally designed for combined AOA and dynamic ports 26mm "smart probe" configuration.



ADJUSTMENT SIZES



PT CONNECTOR OPTION

STRD	STAUBLI/TST RBE 03	with • RED CODE
AN3M	AN3 male (JIC 37-74 ANGLE)	with O-Ring
AN4M	AN4 male (JIC 37-74 ANGLE)	with O-Ring

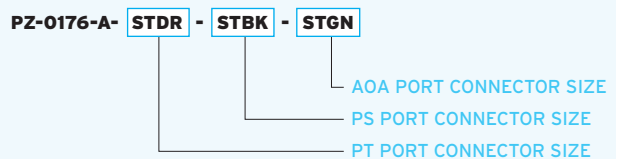
PS CONNECTOR OPTION

STBK	STAUBLI/TST RBE 03	with • BLACK CODE
AN4M	AN4 male (JIC 37-74 ANGLE)	with O-Ring
AN6M	AN6 male (JIC 37-74 ANGLE)	with O-Ring

AOA CONNECTOR OPTION

STGN	STAUBLI/TST RBE 03	with • GREEN CODE
AN4M	AN4 male (JIC 37-74 ANGLE)	with O-Ring
AN6M	AN6 male (JIC 37-74 ANGLE)	with O-Ring

HOW TO ORDER



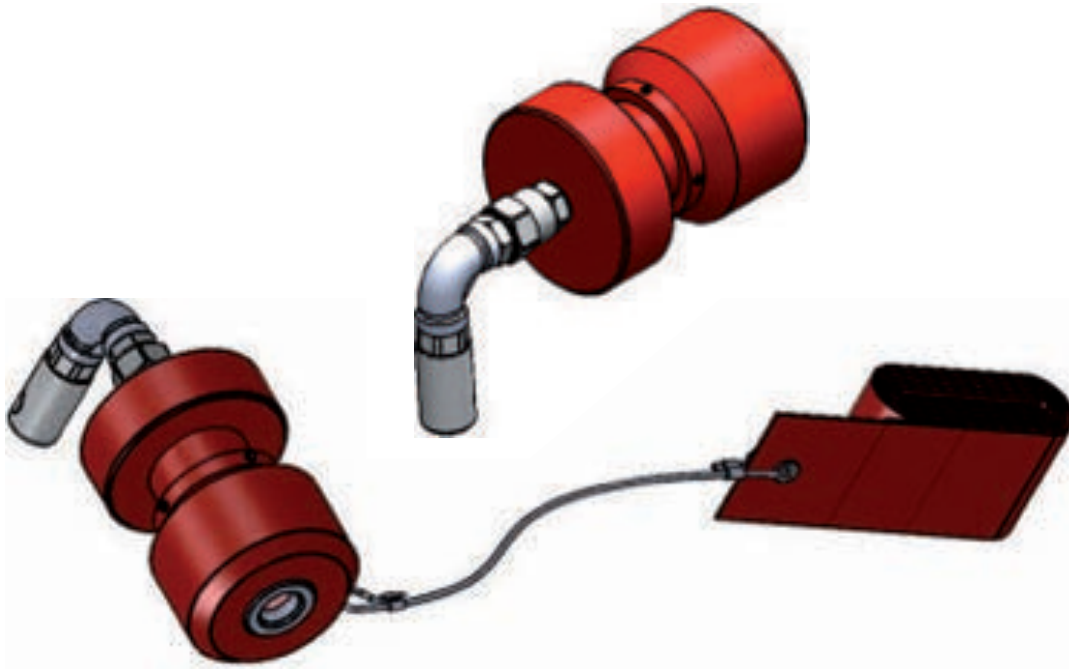
PZ-0176-A-SEAL REPLACEMENT KIT contains :

- 1 of each special seals in this connector

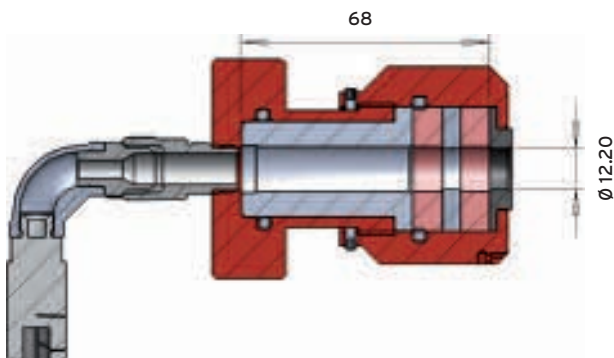
PZ-0184 SINGLE PT 10-12MM

SINGLE DYNAMIC PORT ADAPTOR 10-12MM DIAMETER RANGE

This adaptor is ideally designed for PITOT tube single dynamic pressure connection.



ADJUSTMENT SIZES



PT CONNECTOR OPTION

STRD	STAUBLI/TST RBE 03	with • RED CODE
AN3M	AN3 male (JIC 37-74 ANGLE)	with O-Ring
AN4M	AN4 male (JIC 37-74 ANGLE)	with O-Ring

HOW TO ORDER

PZ-0184-A-**STRD**

PT PORT CONNECTOR SIZE

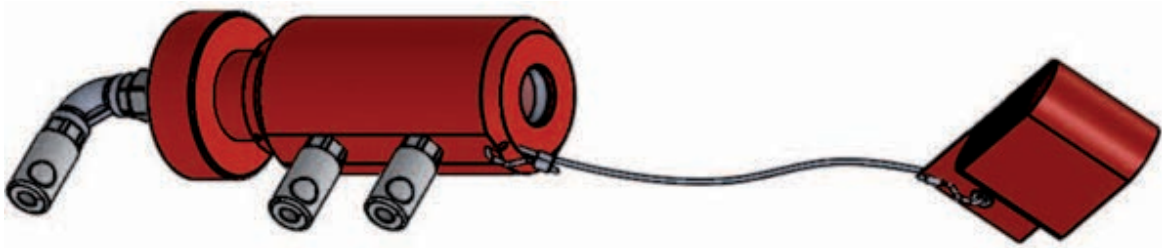
PZ-0184-A-SEAL REPLACEMENT KIT contains :

- 2x 12mm inside diameter seals

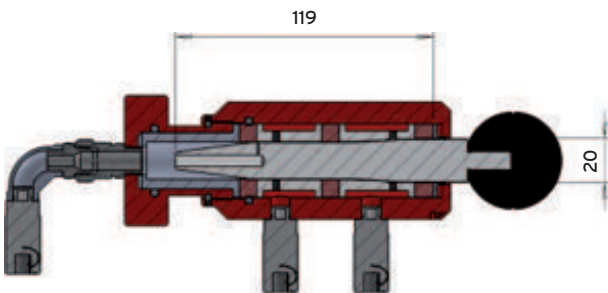
PZ-0199 LEARJET 2 PS 1 PT

LEARJET SINGLE DYNAMIC AND DUAL STATIC PORT ADAPTOR

This adaptor is ideally designed for small triple static ports configuration, when it is not possible to fit three independant adaptors.



ADJUSTMENT SIZES



PT CONNECTOR OPTION

STRD	STAUBLI/TST RBE 03	with • RED CODE
AN3M	AN3 male (JIC 37-74 ANGLE)	with O-Ring
AN4M	AN4 male (JIC 37-74 ANGLE)	with O-Ring

PS CONNECTOR OPTION

STBK	STAUBLI/TST RBE 03	with • BLACK CODE
AN4M	AN4 male (JIC 37-74 ANGLE)	with O-Ring
AN6M	AN6 male (JIC 37-74 ANGLE)	with O-Ring

HOW TO ORDER

PZ-0199-A- **STRD** - **STBK**

PS PORT CONNECTOR SIZE
PT PORT CONNECTOR SIZE

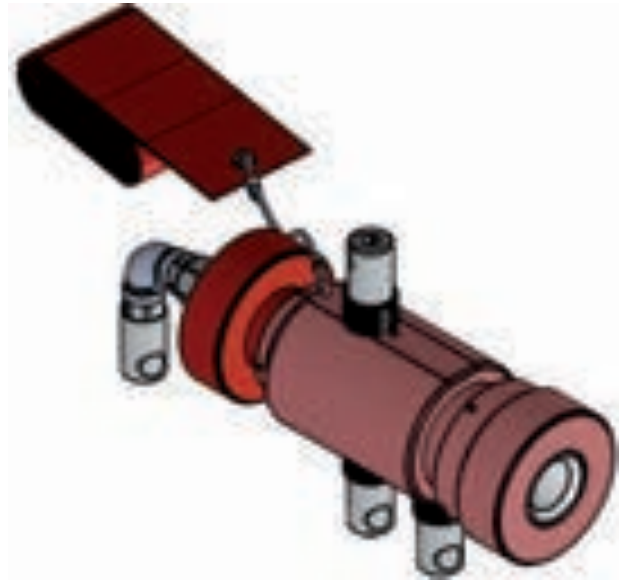
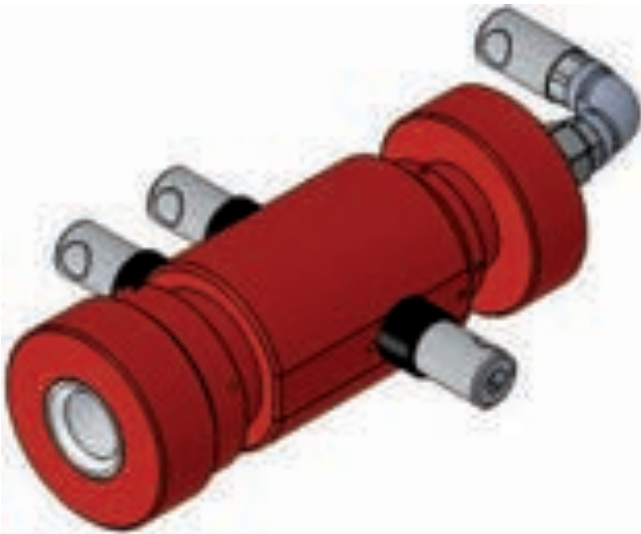
PZ-0199-A-SEAL REPLACEMENT KIT contains :

- 4x 20mm inside diameter seals

PZ-0200 PHENOM300 SMART PROBE

PHENOM300 SINGLE PT PORT - DUAL AOA AND STATIC PORT ADAPTOR

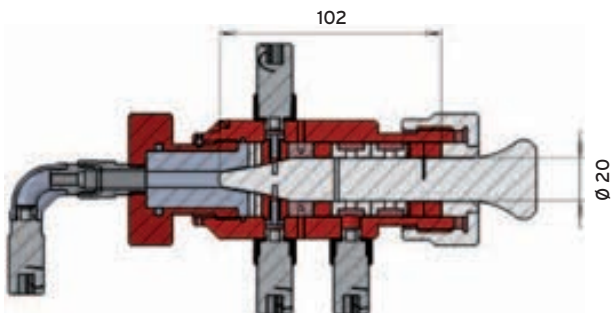
This adaptor is ideally designed for EMBRAER PHENOM300 SMART probe with integrated static AOA and dynamic ports.



PT CONNECTOR OPTION

- | | | |
|-------------|----------------------------|-----------------|
| STRD | STAUBLI/TST RBE 03 | with • RED CODE |
| AN3M | AN3 male (JIC 37-74 ANGLE) | with O-Ring |
| AN4M | AN4 male (JIC 37-74 ANGLE) | with O-Ring |

ADJUSTMENT SIZES



PS CONNECTOR OPTION

- | | | |
|-------------|----------------------------|-------------------|
| STBK | STAUBLI/TST RBE 03 | with • BLACK CODE |
| AN4M | AN4 male (JIC 37-74 ANGLE) | with O-Ring |
| AN6M | AN6 male (JIC 37-74 ANGLE) | with O-Ring |

AOA CONNECTOR OPTION

- | | | |
|-------------|----------------------------|-------------------|
| STGN | STAUBLI/TST RBE 03 | with • GREEN CODE |
| AN4M | AN4 male (JIC 37-74 ANGLE) | with O-Ring |
| AN6M | AN6 male (JIC 37-74 ANGLE) | with O-Ring |

HOW TO ORDER

PZ-0200-A- **STDR** - **STBK** - **STGN**



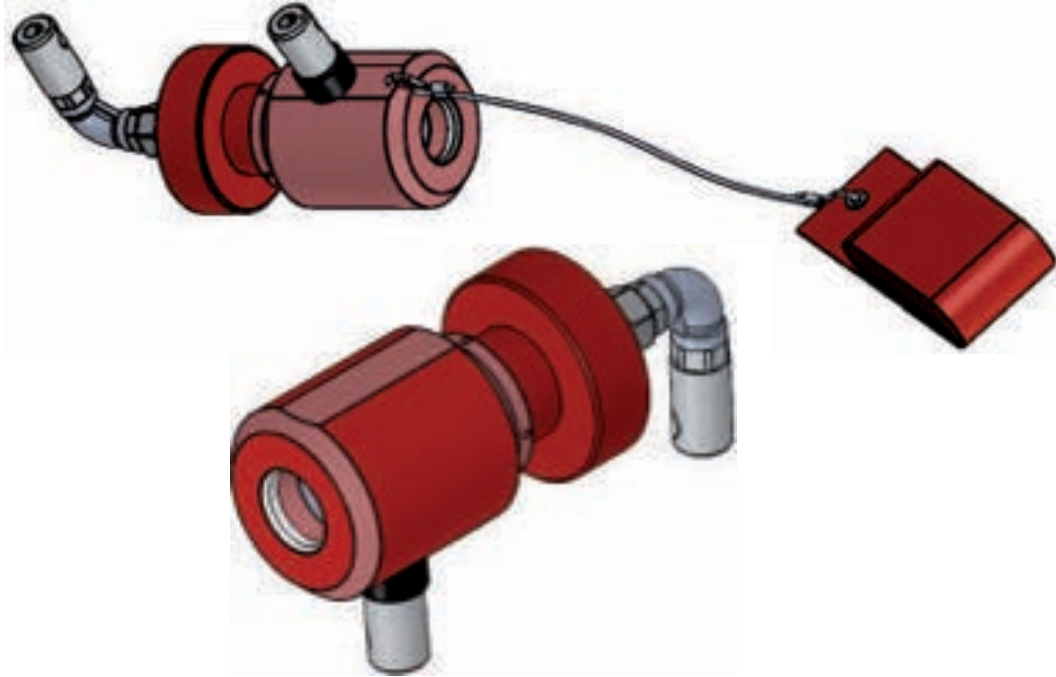
PZ-0221-A-SEAL REPLACEMENT KIT contains :

- 4x seals

PZ-0203 PHENOM300 STDBY PROBE

PHENOM300 STBY COMBINED DYNAMIC AND STATIC PORT ADAPTOR

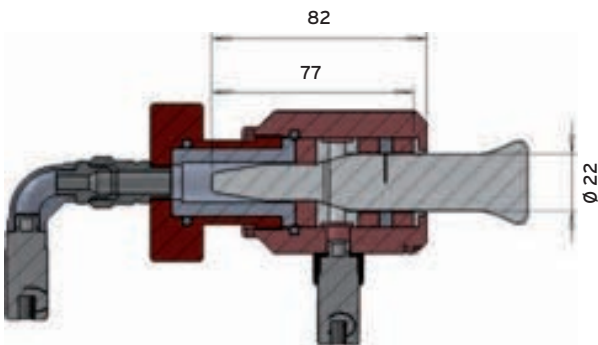
This adaptor is ideally designed for EMBRAER PHENOM300 standby probe.



PT CONNECTOR OPTION

STRD	STAUBLI/TST RBE 03	with ● RED CODE
AN3M	AN3 male (JIC 37-74 ANGLE)	with O-Ring
AN4M	AN4 male (JIC 37-74 ANGLE)	with O-Ring

ADJUSTMENT SIZES



PS CONNECTOR OPTION

STBK	STAUBLI/TST RBE 03	with ● BLACK CODE
AN4M	AN4 male (JIC 37-74 ANGLE)	with O-Ring
AN6M	AN6 male (JIC 37-74 ANGLE)	with O-Ring

AOA CONNECTOR OPTION

STGN	STAUBLI/TST RBE 03	with ● GREEN CODE
AN4M	AN4 male (JIC 37-74 ANGLE)	with O-Ring
AN6M	AN6 male (JIC 37-74 ANGLE)	with O-Ring

HOW TO ORDER

PZ-0176-A- **STDR** - **STBK** - **STGN**

AOA PORT CONNECTOR SIZE
PS PORT CONNECTOR SIZE
PT PORT CONNECTOR SIZE

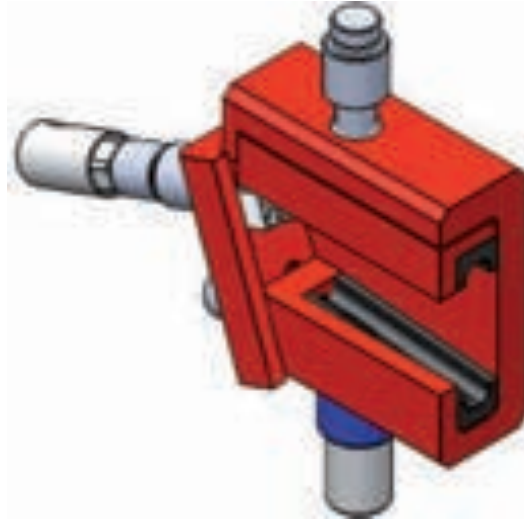
PZ-0176-A-SEAL REPLACEMENT KIT contains :

- 1 of each special seals in this connector

PZ-0216 PIPER SQUALE WING PROBE

PIPER "SQUALE WING" DYNAMIC AND STATIC PORT ADAPTOR

This adaptor is ideally designed for PIPER "SQUALE WING" combined static and dynamic ports.



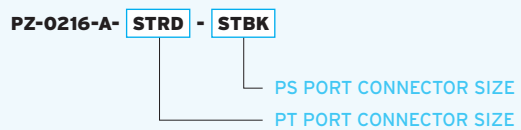
PT CONNECTOR OPTION

STRD	STAUBLI/TST RBE 03	with • RED CODE
AN3M	AN3 male (JIC 37-74 ANGLE)	with O-Ring
AN4M	AN4 male (JIC 37-74 ANGLE)	with O-Ring

PS CONNECTOR OPTION

STBK	STAUBLI/TST RBE 03	with • BLACK CODE
AN4M	AN4 male (JIC 37-74 ANGLE)	with O-Ring
AN6M	AN6 male (JIC 37-74 ANGLE)	with O-Ring

HOW TO ORDER



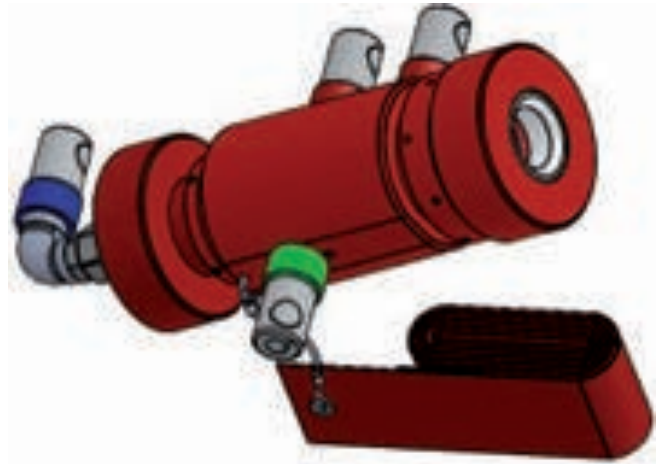
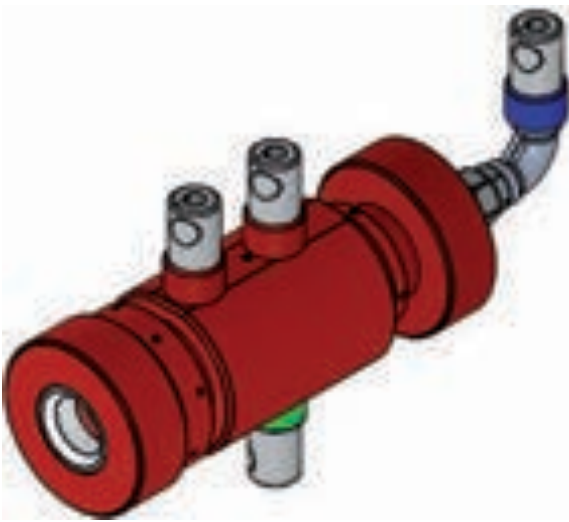
PZ-0216-A-SEAL REPLACEMENT KIT contains :

- 3x seals

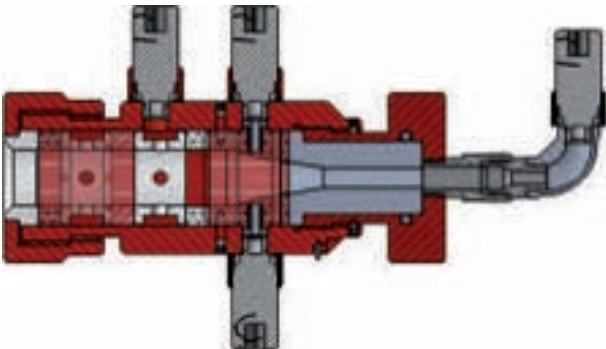
PZ-0218 LEGACY500 SMART PROBE

LEGACY500 - DYNAMIC PORT - AOA PORTS - STATIC PORT ADAPTOR

This adaptor is ideally designed for EMBRAER LEGACY500 smart probes.



ADJUSTMENT SIZES



PT CONNECTOR OPTION

STRD	STAUBLI/TST RBE 03	with • RED CODE
AN3M	AN3 male (JIC 37-74 ANGLE)	with O-Ring
AN4M	AN4 male (JIC 37-74 ANGLE)	with O-Ring

PS CONNECTOR OPTION

STBK	STAUBLI/TST RBE 03	with • BLACK CODE
AN4M	AN4 male (JIC 37-74 ANGLE)	with O-Ring
AN6M	AN6 male (JIC 37-74 ANGLE)	with O-Ring

AOA CONNECTOR OPTION

STGN	STAUBLI/TST RBE 03	with • GREEN CODE
AN4M	AN4 male (JIC 37-74 ANGLE)	with O-Ring
AN6M	AN6 male (JIC 37-74 ANGLE)	with O-Ring

HOW TO ORDER

PZ-0218-A- **STDR** - **STBK** - **STGN**



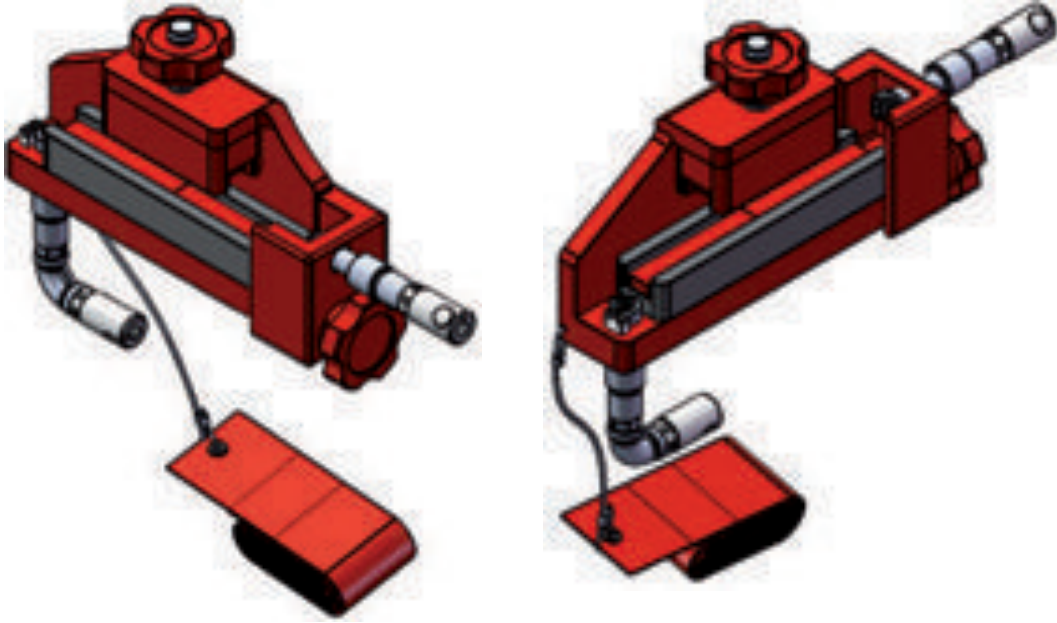
PZ-0218-A-SEAL REPLACEMENT KIT contains :

- 5 of each special seals

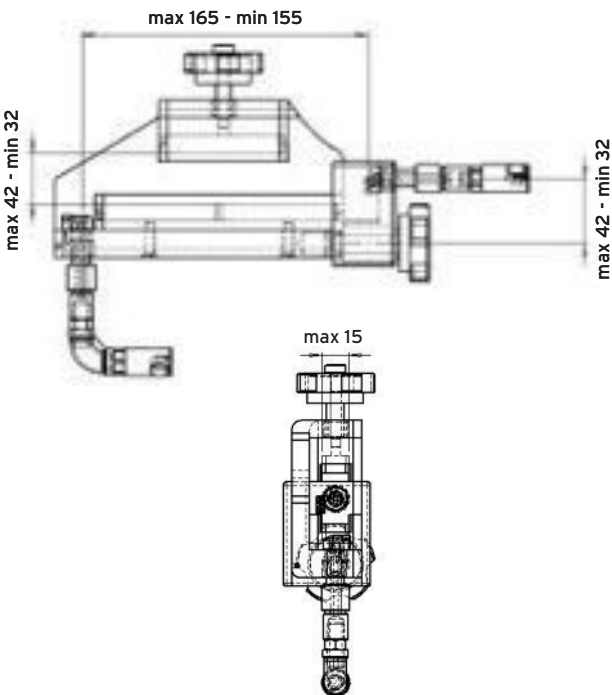
PZ-0225 BELL ROOF PS PT PROBE

BELL HELICOPTER STATIC AND DYNAMIC PORT ADAPTOR

This adaptor is ideally designed for BELL helicopter combined static and dynamic ports.



ADJUSTMENT SIZES



PT CONNECTOR OPTION

STRD	STAUBLI/TST RBE 03	with • RED CODE
AN3M	AN3 male (JIC 37-74 ANGLE)	with O-Ring
AN4M	AN4 male (JIC 37-74 ANGLE)	with O-Ring

PS CONNECTOR OPTION

STBK	STAUBLI/TST RBE 03	with • BLACK CODE
AN4M	AN4 male (JIC 37-74 ANGLE)	with O-Ring
AN6M	AN6 male (JIC 37-74 ANGLE)	with O-Ring

HOW TO ORDER

PZ-0225-A- **STRD** - **STBK**



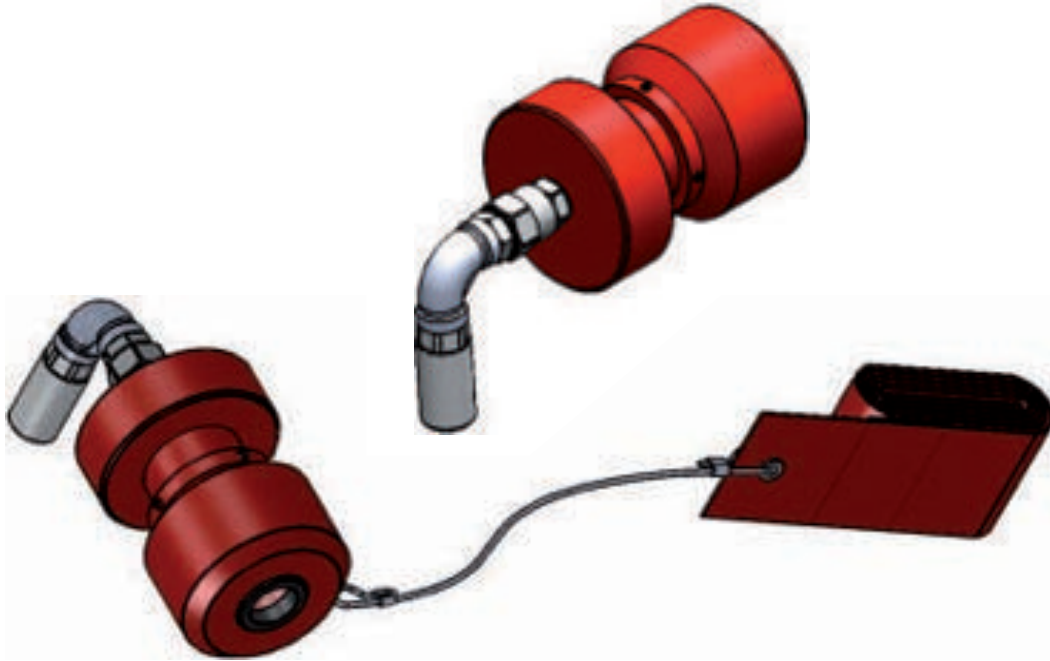
PZ-0225-A-SEAL REPLACEMENT KIT contains :

- 3x seals

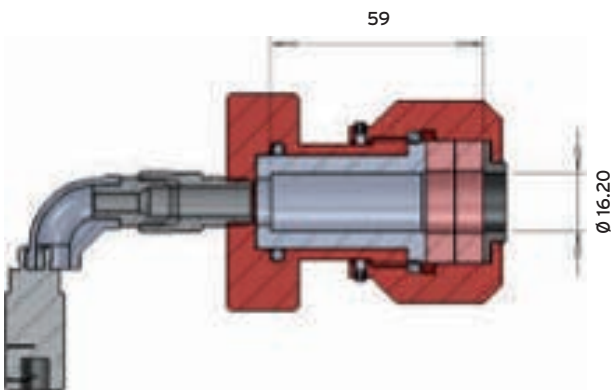
PZ-0226 A380 SINGLE PT 14-16MM

A380 SINGLE DYNAMIC PORT ADAPTOR 14-16MM DIAMETER RANGE

This adaptor is ideally designed for single PITOT tube dynamic port configuration 14-16mm diameter range.



ADJUSTMENT SIZES



PT CONNECTOR OPTION

STRD	STAUBLI/TST RBE 03	with • RED CODE
AN3M	AN3 male (JIC 37-74 ANGLE)	with O-Ring
AN4M	AN4 male (JIC 37-74 ANGLE)	with O-Ring

HOW TO ORDER

PZ-0226-A- **STRD**

PT PORT CONNECTOR SIZE

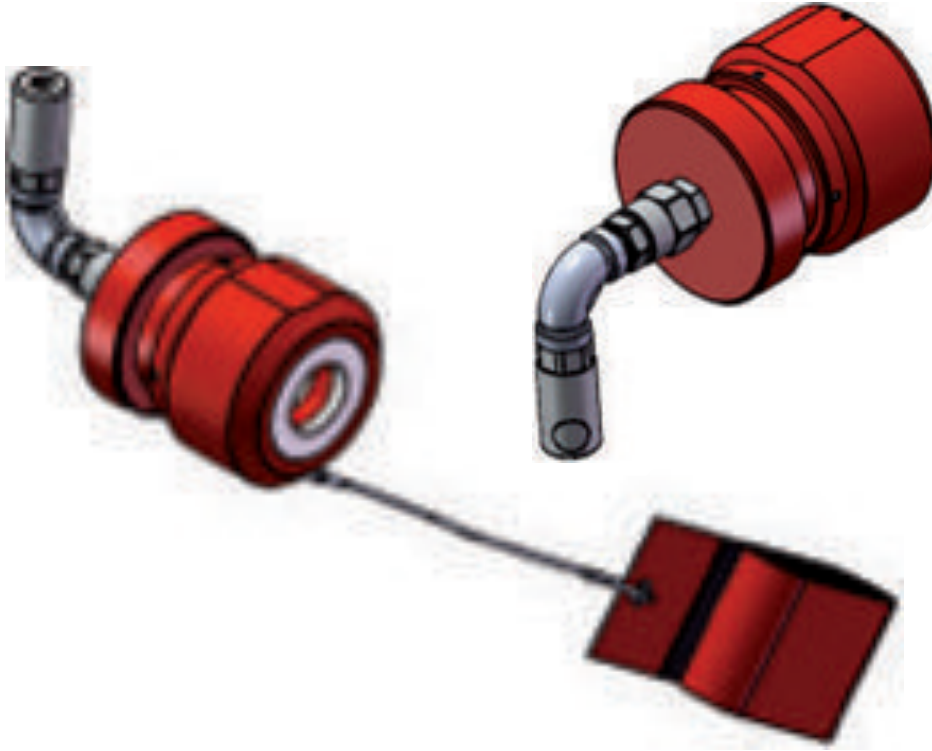
PZ-0152-A-SEAL REPLACEMENT KIT contains :

- 2x 16mm inside diameter seals

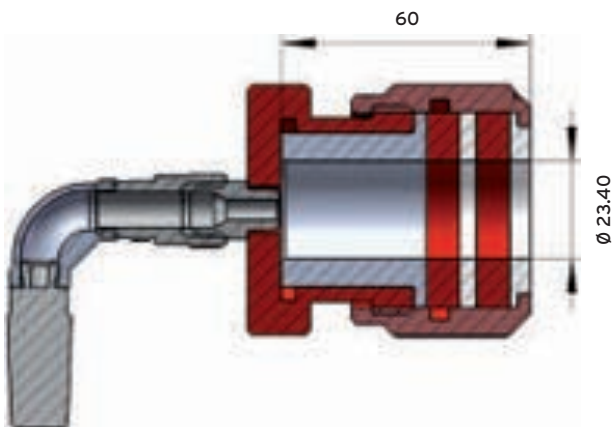
PZ-0235 SINGLE PT 23

PT ADAPTOR DIA.23

This adaptor is ideally designed for PITOT tubes dynamic port connection 23 diameter range.



ADJUSTMENT SIZES



PT CONNECTOR OPTION

STRD	STAUBLI/TST RBE 03	with • RED CODE
AN3M	AN3 male (JIC 37-74 ANGLE)	with O-Ring
AN4M	AN4 male (JIC 37-74 ANGLE)	with O-Ring

HOW TO ORDER

PZ-0235-A- STRD

PT PORT CONNECTOR SIZE

PZ-0235-A-SEAL REPLACEMENT KIT contains :

- 2x 23mm inside diameter seals

MB-0191 TARMAC ADAPTOR BOX

TARMAC ADAPTORS CARRYING CASE

This case is ideally adapted to carry pitot/static adaptors, hoses and accessories on the tarmac or in the hangar next to the plane or the helicopter to be tested or calibrated.

Side handles can be fitted if the case has to be carried on board trucks or planes.

An option with 3 rubber blocks can be fitted on top to locate an ADSE743 CALIBRATOR.



COLORS



LY Luminous Yellow for maximum visibility

Pantone 123



OY Orange Yellow to match ADSE743 case colour

ADSE743



RD Red

Pantone 180



GN Military Green

Pantone 5467

HOW TO ORDER

PZ-0191-A- **LY** - **3RBK**

3 RUBBER BLOCS FOR ADSE743
COLOUR

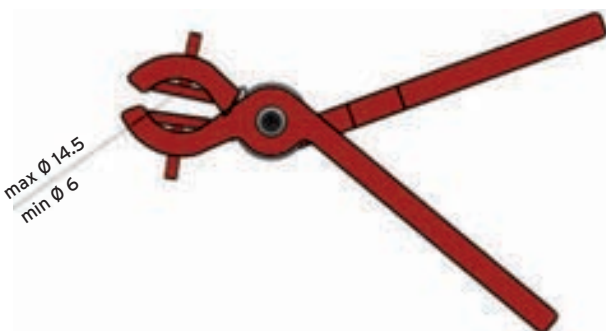
MB-0166-0207 PINCES DRAINS

ATR/AIRBUS PITOT TUBE DRAIN HOLE PLUG 10-12MM DIAMETER RANGE

This adaptor is ideally designed as a PITOT tube drain hole plug.



ADJUSTMENT SIZES



HOW TO ORDER

PZ-0166-A 12mm PADS FOR ATR

PZ-0207-A 16mm PADS FOR AIRBUS

MZ-0166-A-SEAL REPLACEMENT KIT contains :

- 2x 12mm inside diameter seals

MZ-0207-A-SEAL REPLACEMENT KIT contains :

- 2x 16mm inside diameter seals

THIS ADAPTER CAN ALSO BE MANUFACTURED

for 12-14mm PITOT TUBE DIAMETER

MB-0211 SAFETY VAC CLAMP 46MM

SAFETY CLAMP FOR VACUUM PS ADAPTORS 46MM DIAMETER

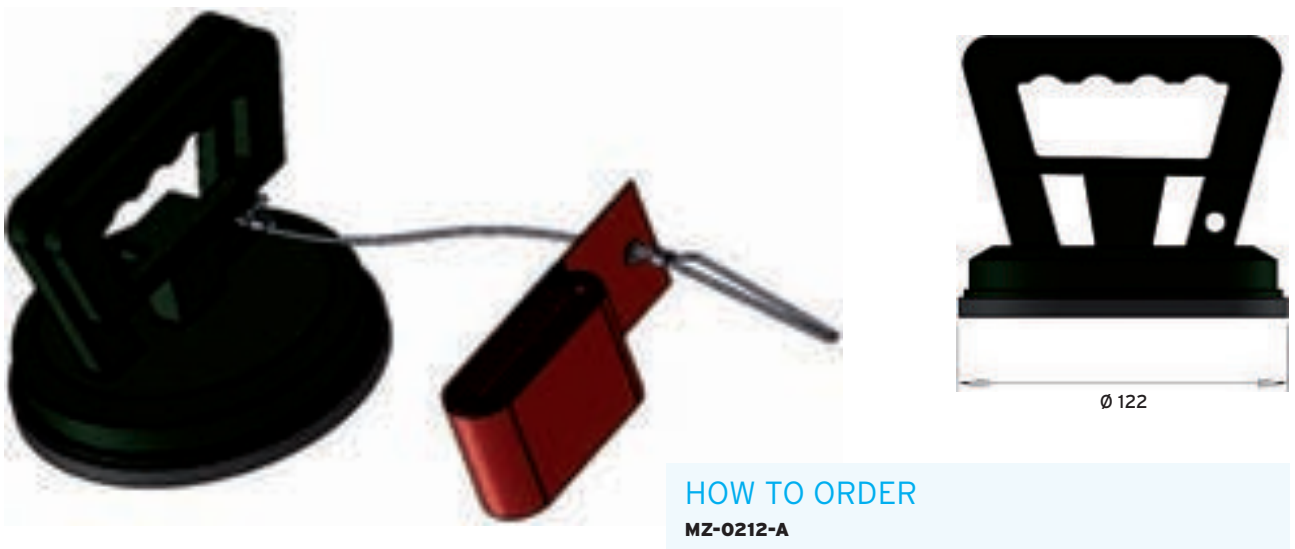
This clamp is ideally designed as a safety device to protect operators and adaptors in case of improper use of the vacuum generator.



MB-0212 SAFETY VAC CLAMP 122MM

SAFETY CLAMP FOR VACUUM PS ADAPTORS 122MM DIAMETER

This clamp is ideally designed as a safety device to protect operators and adaptors in case of improper use of the vacuum generator.



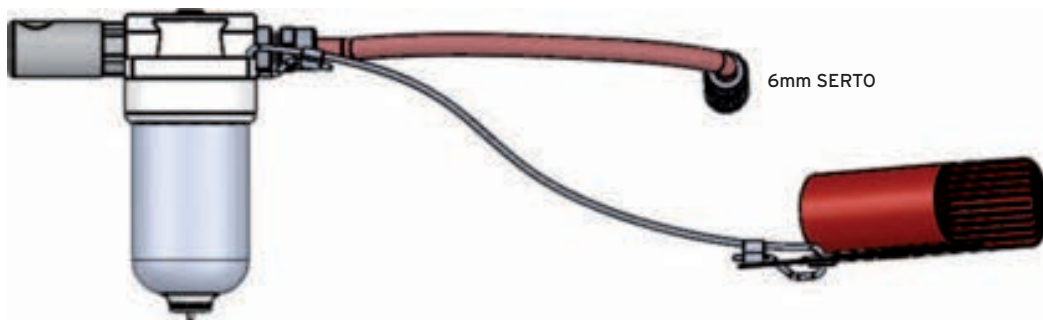
MZ DRAIN EUROCOPTER

EUROCOTER DRAIN PORT STATIC ADAPTOR

This adaptor is ideally designed to connect the calibrator static port hose to the static drain port.



ADJUSTMENT SIZES



HOW TO ORDER

MZ-0166-A

P6 HOSES

CONNECTION HOSES FOR PS AND PT PORTS ADAPTORS

These hoses are ideally designed for dynamic and static ports connection, they are flexible, pressure and vacuum compatible and have exceptional abrasion resistance.



HOSE LENGTH (in M.)

- L1**
- L2**
- L5**
- L10**
- L15**

HOSE COLOR OPTION

- BK** ● BLACK
- BU** ● BLUE
- YE** ● YELLOW
- RD** ● RED
- GR** ● GREEN

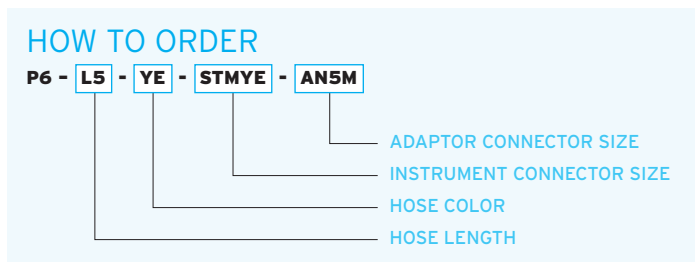
CALIBRATION INSTRUMENT PORT CONNECTOR OPTION

- | | | |
|--------------|--------------------|--------------------|
| STMBK | STAUBLI/TST RBE 03 | with ● BLACK CODE |
| STMRD | STAUBLI/TST RBE 03 | with ● RED CODE |
| STMGN | STAUBLI/TST RBE 03 | with ● GREEN CODE |
| STMBU | STAUBLI/TST RBE 03 | with ● BLUE CODE |
| STMYE | STAUBLI/TST RBE 03 | with ● YELLOW CODE |
| AN3F | AN3 Female | (JIC 37-74 ANGLE) |
| AN4F | AN4 Female | (JIC 37-74 ANGLE) |
| AN5F | AN5 Female | (JIC 37-74 ANGLE) |
| AN6F | AN6 Female | (JIC 37-74 ANGLE) |

In order to simplify operation of the adaptors the recommended colors are BLUE for PT, RED for PS and associated AOA port, GREEN for the differential AOA port and YELLOW (with quick or AN5 connectors) for VACCUM suction cups. Quick connectors are also recommended for all new applications.

ADAPTOR PORT CONNECTOR OPTION

- | | | |
|--------------|--------------------|--------------------|
| STMBK | STAUBLI/TST RBE 03 | with ● BLACK CODE |
| STMRD | STAUBLI/TST RBE 03 | with ● RED CODE |
| STMGN | STAUBLI/TST RBE 03 | with ● GREEN CODE |
| STMBU | STAUBLI/TST RBE 03 | with ● BLUE CODE |
| STMYE | STAUBLI/TST RBE 03 | with ● YELLOW CODE |
| AN3F | AN3 Female | (JIC 37-74 ANGLE) |
| AN4F | AN4 Female | (JIC 37-74 ANGLE) |
| AN5F | AN5 Female | (JIC 37-74 ANGLE) |
| AN6F | AN6 Female | (JIC 37-74 ANGLE) |



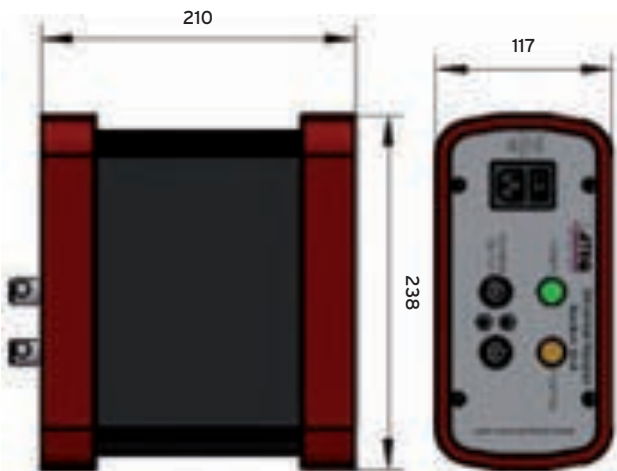
PZ-0159 STATIC VAC GENERATOR BOX

VACUUM GENERATOR FOR UNIVERAL STATIC ADAPTORS

This generator is ideally designed to drive up to 4 vacuum static adaptors.
Mains supply 100-240VAC 50-60Hz.



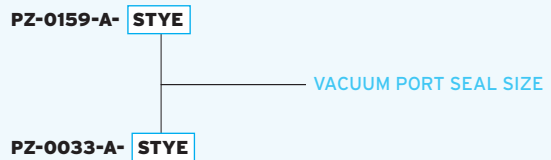
ADJUSTMENT SIZES



VACCUM CONNECTOR OPTION

STYE STAUBLI/TST RBE 03 with • YELLOW CODE
AN5M AN5 male (JIC 37-74 ANGLE) with O-RING

HOW TO ORDER



KIT INCLUDING:

- 1 Vacuum generator
- 2x 5m Hoses
- Mains Cable (Specify Country)
- Yellow Plastic Sealed Case

LOW VOLTAGE (12V, 24V, 32V) exists, contact us.

PZ-0219 4 SMART PROBES MANIFOLD

FOUR SMART PROBES CONNECTION MANIFOLD WITH SLIDING VALVES



This manifold can connect four smart probes to a conventional calibration instrument. Sliding valves isolate each pressure line to do individual calibration or leak tests. Both AOA sides are connected, one of them linked to the Ps port.

This unit is delivered in a yellow sealed plastic case including the connection tubes for 4 smart probes.

PS CONNECTOR OPTION

STFBK	STAUBLI/TST RBE 03	with • BLACK CODE
AN4M	AN4 male (JIC 37-74 ANGLE)	with O-Ring
AN6M	AN6 male (JIC 37-74 ANGLE)	with O-Ring

PT CONNECTOR OPTION

STFRD	STAUBLI/TST RBE 03	with • RED CODE
AN3M	AN3 male (JIC 37-74 ANGLE)	with O-Ring
AN4M	AN4 male (JIC 37-74 ANGLE)	with O-Ring

AOA CONNECTOR OPTION

STFGN	STAUBLI/TST RBE 03	with • GREEN CODE
AN4M	AN4 male (JIC 37-74 ANGLE)	with O-Ring
AN6M	AN6 male (JIC 37-74 ANGLE)	with O-Ring

TUBES KIT contains :

- 3x 2meters calibrator connection tubes
 - 16x 5meters smart probes connection tubes
- Please specify calibrator and probes connection sizes

HOW TO ORDER

