

MLS RAMP TEST SET (RTS)

The model 100A MLS Ramp Test Set is a portable flight line instrument, which provides go/no-go verification of installed Microwave Landing System receivers.

This check is easily performed by transmitting a signal on MLS channel 500, which exercises the Azimuth, Back Azimuth, and Elevation, Left and Right Clearance pulses and Data Word receiving functions of the MLS receiver.

Features

- Easily tailored to any flight application
- Compatible with TSO-C104 receivers
- Compact construction compliant with MIL-T-28800 Type II, Class 2, Style A
- Built-in RF antenna
- Main operation through a single control
- Small volume (10.3 x 9.9 x 7.9 inches)
- Weight less than 12 lbs
- Up to 3 hours of operation on battery
- Auto shutdown after 30 minutes of inactivity
- Normal/Hi-Rate AZ operation
- Battery charging state indication
- Left/Right sunlight readable strobe lights for remote mode indication
- Water resistant while operating
- Built-in RF attenuator
- Sync and RF calibration outputs
- Detailed operation and Maintenance Manual included with each unit



MLS Ramp Test Set
Model P/N ADI-20203-001

The MLS Ramp Test Set Model 100A is a compact and rugged unit compliant to MIL-T-28800 Type II, Class 2, Style A requirements.

Through a single control, the operator selects pre-defined angle configurations, which generate fixed or variable Glideslope and Localizer deviations on the aircraft.

The design features extremely small size, simple operation, light weight and up to 3 hours of continuous operation on internal rechargeable batteries.

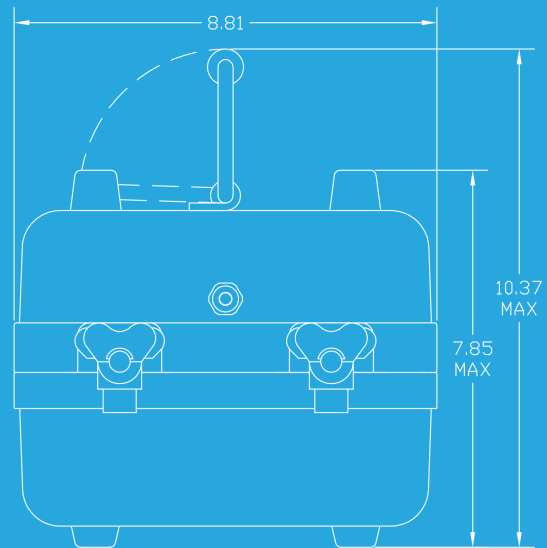
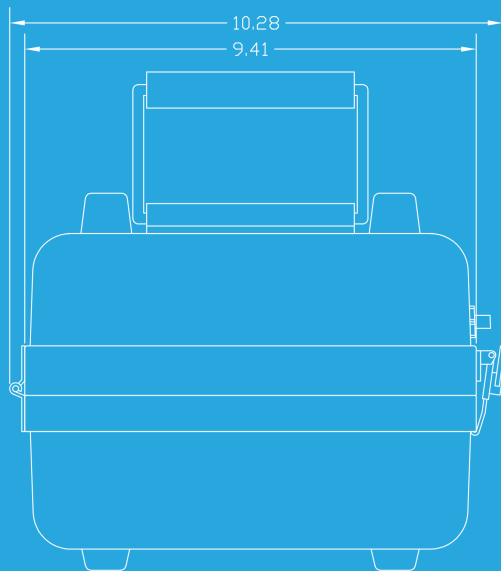
GENERAL SPECIFICATIONS*

RF Frequency	5031.0 MHz \pm 10 KHz, MLS channel 500
RF Level	-69 \pm 3 dBW / m ² @ 30 feet (0 dB attenuation) (-75 \pm 3 dBm in 0 dBi antenna)
Modulation	AM and DPSK modulation in conformance with FAA 14 CFR part 171
Beam Level	0 to 6dB above preamble level
Beam Width	All angle functions, 1.5 \pm 0.5 σ
Angle Accuracy	\pm 0.005 σ
Deflection	0% to 100% FSD
Slew Rate	\pm Full scale deflection cycle in 11 seconds in sweep mode
Atten. Ctrl	0-40 dB attenuation (From nominal)

Operation Modes	<ul style="list-style-type: none"> • OFF • Self-Test (TST) • Needles Left/Up • Needles Half Left/Up • Needles Centered • Half Right Down • Needles Right/Down • Sweep • Normal or High Rate AZ
Indicators	Battery Level Indicator Battery Charging Indicator AC Power ON
Antenna Calibration Coupler	TNC Connector, -13 dB from radiated power
Sync Output	ACMOS compatible, sync on AZ functions
Temp. Range	-40°C to 55°C
Power Input	115 VAC 50 to 400 Hz, 15 Watts Max.
Humidity	0.90% non-condensing

*Specifications subject to change without notice.
Some details may vary with model number.

Outline Drawing



Air Data Inc.
5930 Côte-de-Liesse Rd.
Mont-Royal, QC, Canada H4T 1C9
airdata.ca

E-mail: info@airdata.ca
Telephone: +1 (514) 344-1674
Fax: +1 (514) 344-1675

AIR DATA 