

To buy, sell, rent or trade-in this product please click on the link below:

<https://www.avionteq.com/Howell-H391T-56-1-TAKCAL-Tester>



www.avionteq.com

PORTABLE ENGINE TEST SETS & TRIMMERS



H391T-56-1 TAKCAL^{®1} Tester

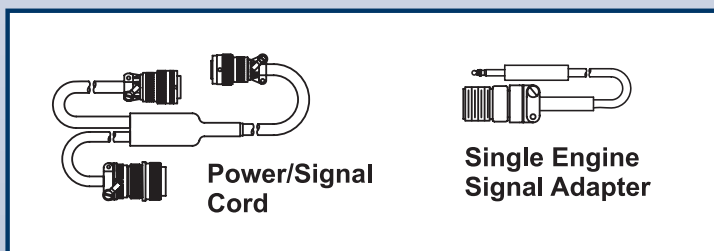
for C-130/T56

NSN 6625-01-599-4717

The H391T-56-1 TAKCAL[®] Tester is a lightweight, portable unit that dynamically monitors and displays tachometer generator outputs for up to four T56 engines.

The H391T-56-1:

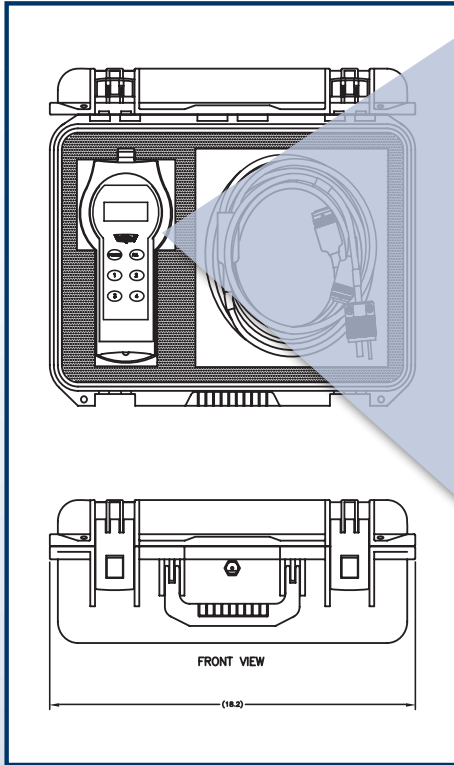
- Measures and displays up to four individual tachometer speeds in percent RPM.
- Features 115 VAC power from Fuselage Sta245 receptacle.
- Connects at flight deck navigator station for signal. Power/signal cable allows operator to compare all four tachometer generator inputs to indicator reading at the flight deck.
- Features a user-friendly design that requires little training for new users.



¹ TAKCAL[®] is a registered trademark of Howell Instruments, Inc.

Howell Instruments, Inc.
8945 South Freeway
Fort Worth, Texas 76140
www.howellinst.com
817-336-7411
Fax: 817-336-7874
info@howellinst.com

PORTABLE ENGINE TEST SETS & TRIMMERS



Functions		Specifications	
ALL	Display shows XXX.X %RPM for all engines	Weight	2 lbs.
1	Reads XXX.X %RPM for engine #1.	Dimensions	9 inches H x 5 inches W x 2 inches D (unit only)
2	Reads XXX.X %RPM for engine #2.	Inputs	115 VAC, 50 to 400 Hz
3	Reads XXX.X %RPM for engine #3.	Output	4A Maximum
4	Reads XXX.X %RPM for engine #4.	Accuracy	0.1 %RPM, 5 %RPM, up to 125 %RPM



Howell Instruments, Inc. • 8945 South Freeway • Fort Worth, Texas 76140
www.howellinst.com • 817-336-7411 • Fax: 817-336-7874 • info@howellinst.com

©2012 Howell Instruments, Inc.

PET391T56-1