

To buy, sell, rent or trade-in this product please click on the link below:  
<http://www.avionteq.com/Barfield-DPS-350-Pitot-Static-Test-Set.aspx>



[www.avionteq.com](http://www.avionteq.com)

**DPS350**

**Pitot-Static Test Set**

USER INSTRUCTION MANUAL  
M/N DPS350, P/N: 101-01170

*Doc. P/N: 56-101-01170  
Revision E  
October 13, 2008*

---

BARFIELD, INC.



Corporate Headquarters

4101 Northwest 29th Street

Miami, Florida 33142

[www.barfieldinc.com](http://www.barfieldinc.com)

Email: [gseales@barfieldinc.com](mailto:gseales@barfieldinc.com)

**Barfield Inc. Confidential and Proprietary Information.**

*This document and all the information contained herein is the sole property of Barfield Inc.*

*No intellectual property rights are granted by the delivery of this document or the disclosure of its content.*

*This entire document is **proprietary information** and shall **not** be reproduced or disclosed to a third party without the express written consent of Barfield Inc.*

*This document and its content shall not be used for any purpose other than that for which it is supplied.*





## DPS350 USER MANUAL

This page intentionally left blank.



## DPS350 USER MANUAL

This page intentionally left blank.



## DPS350 USER MANUAL

### **CONTACT INFORMATION**

Users are requested to notify the manufacturer of any discrepancy, omission, or error found in this manual. Inquiries should include specific questions and reference the publication title, number, chapter, page, figure, paragraph, and effective date.

Please send comments to:

**TECHNICAL CUSTOMER SUPPORT - GSTE  
BARFIELD, INC.  
P.O. BOX 025367  
MIAMI, FL 33102-5367  
USA**

Telephone      **(305) 894-5400**  
                     **(800) 321-1039**

Fax                **(305) 894-5401**

Email             [gsesales@barfieldinc.com](mailto:gsesales@barfieldinc.com)



## DPS350 USER MANUAL

This page intentionally left blank.



## DPS350 USER MANUAL

### **ATTENTION**

Although every effort has been made to provide the end user of this equipment with the most current and accurate information, it may be necessary to revise this manual in the future. Please be sure to complete and return the enclosed **OWNER WARRANTY REGISTRATION CARD** to Barfield in order to validate the warranty and to ensure that you will receive updated information when published. You **MUST** have your name and address on file at Barfield as a registered user of this equipment, to be able to obtain the service covered by the warranty.

Visit the company website, <http://barfieldinc.com/>, for publication updates.

Please send the Registration Card to:

Barfield, Inc.  
P.O. Box 025367  
Miami, FL 33102-5367  
USA



## DPS350 USER MANUAL

This page intentionally left blank.





DPS350 USER MANUAL

**REVISION RECORD**

REV.	ECO #	REV. DATE	DESCRIPTION OF CHANGE
-	N/A	June 30, 1998	Initial Preliminary Release
A	N/A	December 15, 1998	Preliminary
B	N/A	March 5, 1999	N/A
C	260-00636	November 24, 2003	Revised to latest format and for ECO to MOD B. Added instruction for setting Pitot Leak Rate Limits.
D	260-00673	July 9, 2006	Revised to latest format and for ECO to MOD C. Added instruction for setting Below Field Elevation Test and Above Field Elevation Test.
E	260-00729	October 13, 2008	Updated Company Logo and List of Repair Facilities. Chapters were reorganized.



## DPS350 USER MANUAL

This page intentionally left blank.



## DPS350 USER MANUAL

### **LIST OF APPROVED REPAIR FACILITIES**

The manufacturer of this equipment does not recommend the user to attempt any maintenance or repair. In case of malfunction, contact the manufacturer, to obtain the list of approved repair facilities worldwide, ensuring that this equipment will be serviced using proper procedures and certified instruments. A Return Maintenance Authorization (RMA) number will be assigned during this call, to keep track of the shipment and the service.

#### BARFIELD PRODUCT SUPPORT DIVISION

Telephone (305) 894-5400  
(800) 321-1039

Fax (305) 894-5401

#### Shipping Address:

Barfield, Inc.  
4101 NW 29th Street  
Miami, Florida 33142  
USA

#### Mailing Address:

Barfield, Inc.  
P.O. Box 025367  
Miami, FL 33102-5367  
USA



## DPS350 USER MANUAL

This page intentionally left blank.



DPS350 USER MANUAL

# TABLE OF CONTENTS

*Contact Information*  
*Attention Page*  
*Revision Record Page*  
*List of Approved Repair Facilities*  
*Table of Contents*  
*List of Figures and Tables*

	<u>PAGE</u>
<b>INTRODUCTION</b> .....	<b>1</b>
1. PUBLICATION BREAKDOWN.....	1
2. INFORMATION PROVIDED WITH THE UNIT.....	1
3. RECERTIFICATION.....	3
<b>CHAPTER 1: DESCRIPTION</b> .....	<b>5</b>
1. GENERAL DESCRIPTION .....	5
2. PHYSICAL DESCRIPTION.....	6
A. Carrying Case .....	6
B. Front Panel Switches and Controls.....	6
C. Hose Assembly and Adapters.....	8
D. Power Cables.....	9
<b>CHAPTER 2: SPECIFICATIONS AND CAPABILITIES</b> .....	<b>11</b>
1. PHYSICAL DATA .....	11
2. SPECIFICATIONS.....	11
3. ACCURACY.....	11
4. OPERATING TEMPERATURE RANGE .....	12
5. DISPLAY UNITS .....	12
6. PRESSURE MEDIA .....	12
7. TRANSDUCERS .....	12
8. INPUT A/C POWER .....	12
9. FUSE PROTECTION .....	12
<b>CHAPTER 3: THEORY OF OPERATION</b> .....	<b>13</b>
1. PRESSURE / VACUUM REQUIREMENTS .....	13
2. CONTROL VALVE OPERATION.....	13
3. POWER SUPPLY CIRCUITS .....	13
4. PROTECTION CIRCUITS.....	13
5. PNEUMATIC SCHEMATIC DIAGRAM.....	15

## TABLE OF CONTENTS (Continued)

	<u>PAGE</u>
<b>CHAPTER 4: OPERATION.....</b>	<b>17</b>
1. GENERAL .....	17
2. CONTROL PANEL INSTRUCTIONS .....	17
A. Preliminary Setup .....	19
B. Setting the Displayed Units .....	20
C. Setting the Protection Limits .....	24
D. Protection Circuit Reset Instructions .....	34
E. Displaying Firmware Version .....	35
3. TEST SET LEAK TEST .....	36
A. Preliminary Setup .....	36
B. Static Leak Test .....	37
C. Pitot Leak Test .....	40
D. Applying Leak Correction .....	42
4. AIRCRAFT TEST .....	42
A. Preliminary Setup .....	42
B. Pitot System Test .....	43
(1) Leak Test.....	43
(2) Airspeed Checks .....	44
C. Static System Test .....	45
(1) Leak Test.....	45
(2) Altitude Checks.....	46
D. Combined Pitot / Static Test.....	48
(1) Combined Altitude / Airspeed Tests .....	48
(2) Below Field Elevation Test .....	48
(3) Above Field Elevation Test.....	49
(4) Completion of Combined Pitot / Static Tests.....	53
E. Machmeter Tests .....	54
F. Engine Pressure Ratio (Epr) .....	55
G. Manifold Pressure Gauge .....	56
5. SHUTDOWN PROCEDURES.....	57
<b>CHAPTER 5: RECEIVING, SHIPPING, STORAGE .....</b>	<b>59</b>
1. RECEIVING .....	59
2. SHIPPING .....	59
3. STORAGE.....	59



## DPS350 USER MANUAL

### LIST OF FIGURES AND TABLES

	<b><u>PAGE</u></b>
Figure 1	Identification Label..... 1
Figure 2	Owner Warranty Registration Card ..... 2
Figure 3	Limited Warranty Statement Card ..... 2
Figure 4	DPS350 Pitot Static Test Set..... 5
Figure 5	DPS350 Front Panel Switches and Controls ..... 7
Figure 6	DPS350 Pneumatic Diagram..... 15
Figure 7	Display Units Flowchart ..... 21
Figure 8	Protection Limits Enable / Disable Flowchart ..... 24
Figure 9	Static Port Limits Flowchart ..... 27
Figure 10	Pitot Port Limits Flowchart..... 30
Figure 11	Firmware Flowchart ..... 35
Table 1	Limit Protection ..... 14
Table 2	Airspeed vs. MACH Number Test ..... 54
Table 3	EPR Test Table ..... 55
Table 4	Altitude vs. Manifold Pressure ..... 57



## DPS350 USER MANUAL

This page intentionally left blank.



## DPS350 USER MANUAL

# INTRODUCTION

### 1. PUBLICATION BREAKDOWN

This user instruction manual establishes the standards of operation for the DPS350 Pitot-Static Test Set.

Its purpose is to provide sufficient information for the personnel unfamiliar with this unit to understand it, identify its parts, and operate it in accordance with proper procedures, operating techniques, precautions and limitations.

### 2. INFORMATION PROVIDED WITH THE UNIT

Besides this User Instruction Manual, the Tester is delivered with the four information items described below.

- A. The identification label, (Figure 1), located on the front bulkhead of the Test Set, provides the following information:

- Manufacturer Name
- Designation of Equipment
- Equipment Part Number
- Equipment Model Number                      Equipment Serial Number
- Equipment Modification (if applicable)      Equipment Options (if applicable)



**Figure 1 IDENTIFICATION LABEL**

## DPS350 USER MANUAL

- B. The Owner's Warranty Registration card (Figure 2), is to be completed by the owner and returned to Barfield, Inc. within **ten (10) days** of purchase to ensure automatic update of printed matter and validation of warranty.

**OWNER WARRANTY REGISTRATION**

RETURNING THIS CARD COMPLETED ENABLES US TO KEEP YOU  
AUTOMATICALLY INFORMED OF TECHNICAL UPDATES and VALIDATES YOUR WARRANTY.

NAME \_\_\_\_\_ TITLE \_\_\_\_\_  
 DEPARTMENT \_\_\_\_\_  
 COMPANY \_\_\_\_\_  
 ADDRESS \_\_\_\_\_  
 CITY \_\_\_\_\_ STATE \_\_\_\_\_ ZIP \_\_\_\_\_  
 P/N \_\_\_\_\_ S/N \_\_\_\_\_ MODEL # \_\_\_\_\_  
 PURCHASED FROM \_\_\_\_\_ DATE \_\_\_\_\_  
 AIRLINE  REPAIR STATION  OEM   
 OTHER \_\_\_\_\_

INFORMATION GIVEN ON THIS BARFIELD, INC. WARRANTY CARD IS AND WILL REMAIN  
 STRICTLY CONFIDENTIAL AND WILL NOT BE SHARED. OW-28 REV / 04.00

**Figure 2 OWNER WARRANTY REGISTRATION CARD**

- C. The Limited Warranty Statement Card, (Figure 3), which lists the manufacturer's obligation to the original purchaser.

**LIMITED ONE YEAR WARRANTY**

**BARFIELD INSTRUMENT CORPORATION** warrants to the original purchaser of this unit sold by us and/or our agent, and all the parts thereof, to be free from defects in material or workmanship under normal use and service within the specified ratings and operating conditions.

Its obligation under this warranty is hereby limited to the repair or replacement of this unit, or part thereof, which is returned to us within one year after date of invoice, suitably packaged in the original container or equivalent and which shall prove, after our examination, to be defective under terms of above paragraph.

No other warranty is expressed or implied. We are not liable for consequential damages.

Some states do not allow the exclusion or limitation of incidental or consequential damages so that the preceding limitations or exclusions may not apply to you. This warranty gives you specific legal rights and you may have other rights which vary from state to state.

This warranty does not include the cost of transportation charges to and from the factory.

The repair or replacement of this unit, or any part thereof, does not void or extend the original warranty.

**BARFIELD INSTRUMENT CORPORATION** reserves the right to discontinue this unit without notice, or to make modifications in design at any time, without incurring any obligation to make these modifications in units previously sold.

**BARFIELD INSTRUMENT CORPORATION**  
 4101 N.W. 29 Street  
 Miami, Florida 33142 U.S.A.

FORM 991-00001

**Figure 3 LIMITED WARRANTY STATEMENT CARD**



## DPS350 USER MANUAL

- D. Each new or re-certified unit is delivered with a Certificate that shows the date when the unit was tested by the manufacturer, its serial number, and when the next certification is due. This certificate confirms that the unit performed according to its design specifications.

### 3. RECERTIFICATION

The Test Set has a one-year recertification requirement. Maintenance required by this unit must be performed by qualified technicians in a shop equipped with the necessary tooling and facilities.

Note: Recertification by a calibration/repair shop **not** possessing the necessary technical knowledge, documentation, special test equipment, tooling and standards will adversely affect the accuracy/capability of the DPS350 for testing the aircraft, including the demanding Reduced Vertical Separation Minimum (RVSM) accuracy requirement.



## DPS350 USER MANUAL

This page intentionally left blank.

## CHAPTER 1: DESCRIPTION

### 1. GENERAL DESCRIPTION

The **BARFIELD INC. DPS350 Pitot-Static Tester** is a programmable microprocessor-based unit applying SMT (Surface Mount Technology), and the latest transducer technology. The operation is similar to **Barfield, Inc.** 1811 series testers, with the exception that the transducer technology used is virtually immune to the costly repairs generally experienced by analog instruments.



**Figure 4 DPS350 Pitot Static Test Set**

Software containing a programmable protection limit feature is included with the **DPS350** design to insulate the aircraft instruments from possible damage caused by negative airspeed and over pressurization conditions. The limit protection trip points are user or operator programmed, implementing an LCD menu driven displays system.



## DPS350 USER MANUAL

Computer actuated provides limit protection solenoid valves that safeguard aircraft altitude, airspeed, rate of climb/descend and Mach instruments. **The DPS350 Pitot Static Test Set** provides a very accurate and convenient method of performing leak testing of aircraft pitot-static systems; including air data computers and airspeed, altimeter, mach, vertical speed, engine pressure ratio, and manifold pressure indicators.

**The DPS350 Digital Pitot Static Test Set** meets the demanding RVSM accuracy requirement of  $\pm 0.003$  in. Hg and compliance requirements of 91.171.

**Note:** It is important that the customer be sure the use of the **Test Set** is in compliance with other aspects of the regulations. The DPS350 **Test Set** also fully meets the requirements of the DOT Advisory Circular 43-203B for performing Altimeter and Static System Tests and Inspections.

**Note:** It is important that the customer be sure the **Test Set** is in compliance with the *Recertification* requirement.

An internal electric pump is provided to supply vacuum options and features pressure capabilities of achieving 55K-ft and 6,000 ft/min on a wide body aircraft. The Test Set operational input A/C power requirements are 115/230 VAC @ 47-400 Hz.

## 2. PHYSICAL DESCRIPTION

### A. Carrying Case

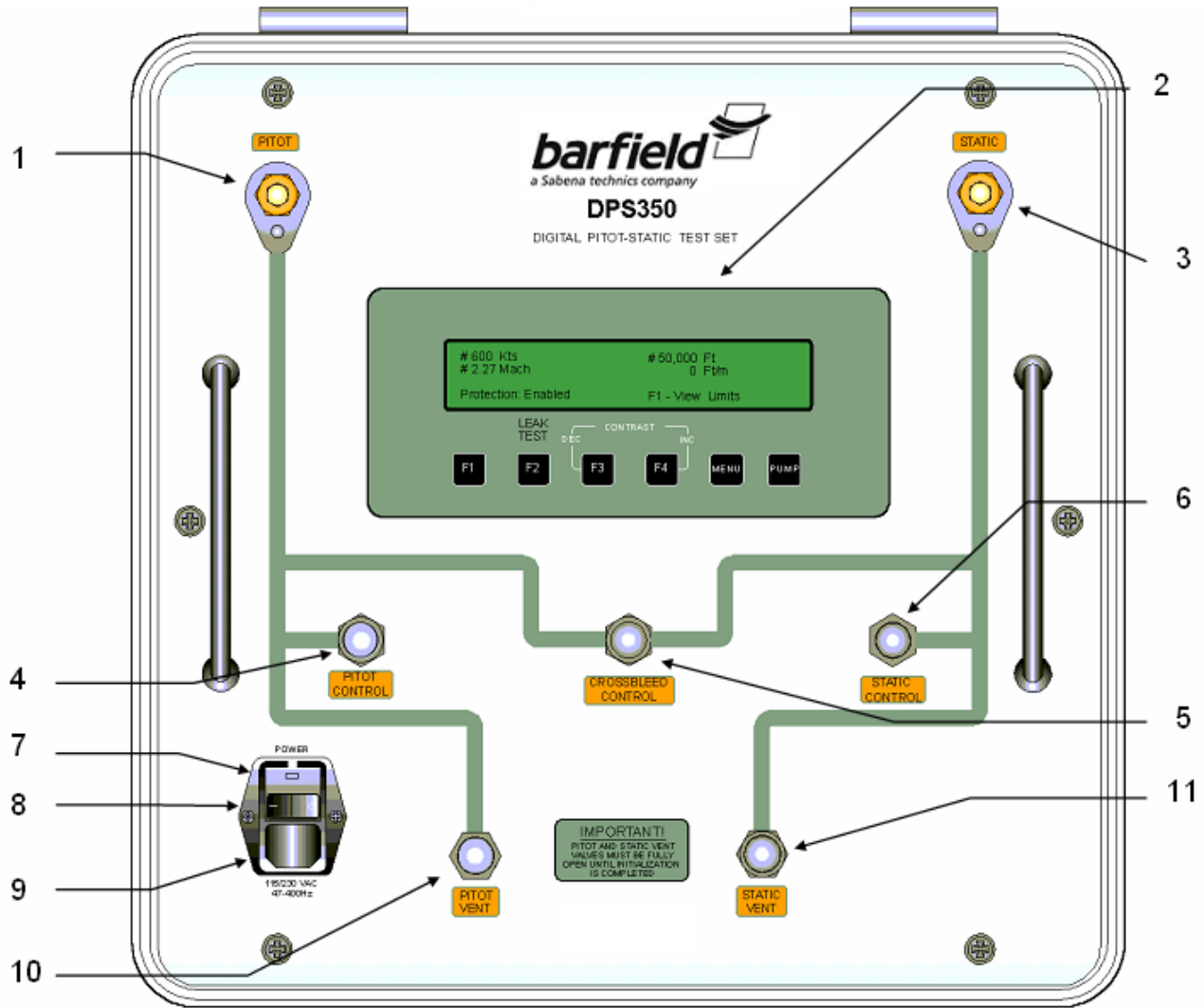
The carrying case is a fiberglass case comprised of upper and lower sections:

- The lower section supports the panel assembly.
- The upper section has sliding pin hinges for easy removal. The upper section is also fitted with a shelf suitable for storage of this manual, hoses and the power cable.

### B. Front Panel Switches and Controls (Components shown in Figure 5).

- |                        |  |
|------------------------|--|
| (1) PITOT PORT         | Connects the aircraft pitot system to the tester.  |
| (2) PANEL DISPLAY      | Displays measured data, programmable limits, and calibration information. Also used to turn pump ON/OFF, enter programmed limits and set operating mode. |
| (3) STATIC PORT        | Connects the aircraft static system to the tester.   |
| (4) PITOT CONTROL      | Controls pitot system pressure to achieve simulated conditions for airspeeds between 0 knots to 650 knots.   |
| (5) CROSSBLEED CONTROL | Controls pressure difference between pitot and static systems.   |

DPS350 USER MANUAL



**Figure 5: DPS350 Front Panel Switches and Controls**

## DPS350 USER MANUAL

- |                                |  |
|--------------------------------|--|
| (6) STATIC CONTROL             | Controls static system pressure to simulate the barometric conditions for altitudes between -1800 feet and 55,000 feet.  |
| (7) FUSES Overload Protection: | (2) 2A / 115-VAC.<br>(Use 1A for 230-VAC)  |
| (8) POWER SWITCH               | Applies power <b>ON / OFF</b> to the tester.<br><u>Note:</u> The POWER switch must be turned <b>ON</b> only after the STATIC and PITOT VENT valves have been <i>opened</i> and the PITOT CONTROL and STATIC CONTROL valves have been <i>closed</i> . |
| (9) FUSED POWER ENTRY MODULE   | Connects external power to the tester. Unit uses either a cable with a standard 115VAC plug or the optional cable for operator installation of 230VAC plug.  |
| (10) PITOT VENT                | Releases applied pitot system pressure to ambient atmosphere.  |
| (11) STATIC VENT               | Releases applied static system pressure, allowing tester to return to ambient atmospheric pressure.  |

### C. Hose Assembly and Adapters

- (1) The hose kit is included with each **Test Set** and includes the following items:
  - (a) A *pitot* hose assembly is a 25-ft clear hose with **red** bands near each end and a self-sealing quick disconnect for attachment to the pitot port. The aircraft hose end has an AN4 type fitting for connection to a pitot port adapter.
  - (b) A *static* hose assembly is a 25-ft clear hose with **blue** bands near each end and a self-sealing quick disconnect for attachment to the Test Set static port. The aircraft hose end has an AN4 type fitting for connection to a static port adapter.
  - (c) The *pitot tube adapter* is a flexible expandable rubber tube used to connect to the pitot hose to an aircraft's pitot port.
- (2) The *static port adapter kit* is a universal adapter kit designed for connecting the static hose to the aircraft's static port.

Note: The pitot and static adapters universally fit many aircraft, but in some cases these adapters are not recommended or are inadequate. **Barfield, Inc.** distributes high quality custom made pitot and static adapters for use on all general aviation, airline, helicopter, and military aircraft. For additional information, contact the Barfield GSTE Sales Department or visit the web page at <http://www.barfieldinc.com>.





## DPS350 USER MANUAL

### D. Power Cables

An AC power cable uses a common 3 prong IEC320-C13 AC power cable:

9' 10" power cable with std. 115-VAC plug (shipped with new units)

- or -

9' 10" Power Cable without a plug (for optional 230-VAC European Connector – included with 230-VAC power cord kit).

Note: For 230-VAC power input overload protection, use X2 - 1 Amp Slo-Blo fuses.

1A fuses are included in the accessory bag with a 230-VAC power cord kit. Test Sets for the USA (115-VAC) ship with X2 - 2A fuses installed. Replace with properly rated fuses.



## DPS350 USER MANUAL

This page intentionally left blank.

## CHAPTER 2: SPECIFICATIONS AND CAPABILITIES

### 1. PHYSICAL DATA

- Height: 9.76 in. (24.8 cm)
- Width: 15.38 in. (39.1 cm)
- Depth: 14.87 in. (37.8 cm)
- Weight: 35 lbs. (15.9 kg)

### 2. SPECIFICATIONS

- Altitude: -1,800 to 55,000 ft.
- Airspeed: 20 to 650 knots
- Rate of climb: 0 to  $\pm 20,000$  ft/min.
- Mach: 0.1 to 3.5
- Ps channel: 0.8 in. Hg -to- 32 in. Hg *absolute (static port)*
- Pt channel: 0.8 in. Hg -to- 77 in. Hg *absolute (pitot port)*
- EPR: Pt2 Range: 2.693 in. Hg to 32 in. Hg  
Pt7 Range: 2.693 in. Hg to 57 in. Hg

### 3. ACCURACY: (typical)

- Altitude:  $\pm 0.0030$  in. Hg ( $\pm 0.102$  mbar)  
 $\pm 3$  ft. at sea level  
 $\pm 6$  ft. at 20,000 ft.  
 $\pm 8$  ft. at 30,000 ft.  
 $\pm 14$  ft. at 45,000 ft.  
 $\pm 22$  ft. at 55,000 ft.
- Airspeed:  $\pm 0.008$  in. Hg ( $\pm 0.271$  mbar)  
 $\pm 2.0$  kts. at 23 kts.  
 $\pm 0.5$  kts. at 100 kts.  
 $\pm 0.1$  kts. at 500 kts.
- Rate of Climb:  $\pm 1\%$  of Reading

## DPS350 USER MANUAL

### 3. ACCURACY (continued)

- Mach:  $\pm 0.001$  mach above 0.10 mach
- EPR:  $\pm 0.001$  ratio Pt7/Pt2 (ratio of 5.0 or less)
- Stability: 0.01% of range/year (max)

### 4. OPERATING TEMPERATURE RANGE

0° C to 50° C (32° F to 122° F)

### 5. DISPLAY UNITS

- Airspeed: Knots, km/hr
- Altitude: Feet, meters
- Mach: dimensionless ratio
- Rate of Climb: Feet/min, Meters/min
- Pt, Ps, Qc: in. Hg, mb, PSIA
- EPR: ratio (Pt/Ps), calculated with mb or in. Hg, or with Airspeed / Altitude units

### 6. PRESSURE MEDIA

An internal high reliability electric pump generates pressure and vacuum.

### 7. TRANSDUCERS

Latest Technology Transducers with the highest accuracy and stability commercially available.

### 8. INPUT A/C POWER

Electronic switcher power supply module with auto input voltage detection circuitry for an A/C input voltage of 115/230-VAC @ 47-400 Hz.

### 9. FUSE PROTECTION

Fuse overload protection is provided by two Slow-Blow 2 amps fuses for normal 115-VAC power input.

## CHAPTER 3: THEORY OF OPERATION

### 1. PRESSURE / VACUUM REQUIREMENTS

The **DPS350** internal pressure pump is capable of producing 650 knots, and the vacuum pump can produce 55k-ft in systems with high volumes.

### 2. CONTROL VALVE OPERATION

The *Crossbleed* admits pressure from the tank into the system and causes a reaction in both the tester airspeed display and the instrument being tested through the pitot connection.

The **DPS350 Static Control Valve** similarly controls the tester's vacuum system. The two vent valves equalize their respective systems with atmospheric pressure. The *Crossbleed Control Valve* controls the pressure difference in the pressure and vacuum lines. By operating the appropriate valve, controllable-pressure can be established in the Pitot (pressure) and/or Static (vacuum) lines. These pressures appear as readings on the **DPS350** Altitude, Airspeed, ROC and Mach displays.

The high accuracy and stability of the **DPS350** transducers allows a technician to test an aircraft's Pitot and Static system without the need for correction cards and allows for a one-year re-certification cycle.

### 3. POWER SUPPLY CIRCUITS

The **DPS350** can be powered from a 115 or 230-VAC at 47-400 Hz. The internal power supply automatically detects an applied input voltage of 115 or 230-VAC.

### 4. PROTECTION CIRCUITS

The aircraft systems are protected against excessive rates and pressures by several fail-safe solenoid and check valves. Solenoid valve actuation is controlled by programmable limits set by the operator on the control panel.

When the actual airspeed, altitude, or VSI approaches the protection limit programmed by the operator, an asterisk (\*) appears next to the affected parameter on the display and warns the operator that a limit is about to be exceeded. If no corrective action is taken and the limit is reached, the appropriate solenoid valve(s) (Refer to Table 1) actuates and isolates the aircraft systems from the tester vacuum/pressure sources. The asterisks' warning changes from a single (\*) to a double (\*\*) display to indicate protection limits are reached, upon which the message "**Limit(s) Exceeded F4: -Reset-**" is shown.

## DPS350 USER MANUAL

The negative airspeed and negative altitude protection limits are not programmable by the operator, but are factory set to -30 kts. and -1,800 ft. If one or both of these two limits are exceeded, two asterisks immediately appear next to the exceeded parameter. The protection circuits also trip. A negative airspeed trip is indicated by an airspeed reading of 0 kts. with two asterisks.

### A. Solenoid Valves Operation

The following table is a summary of the limit protection solenoid valves operation.

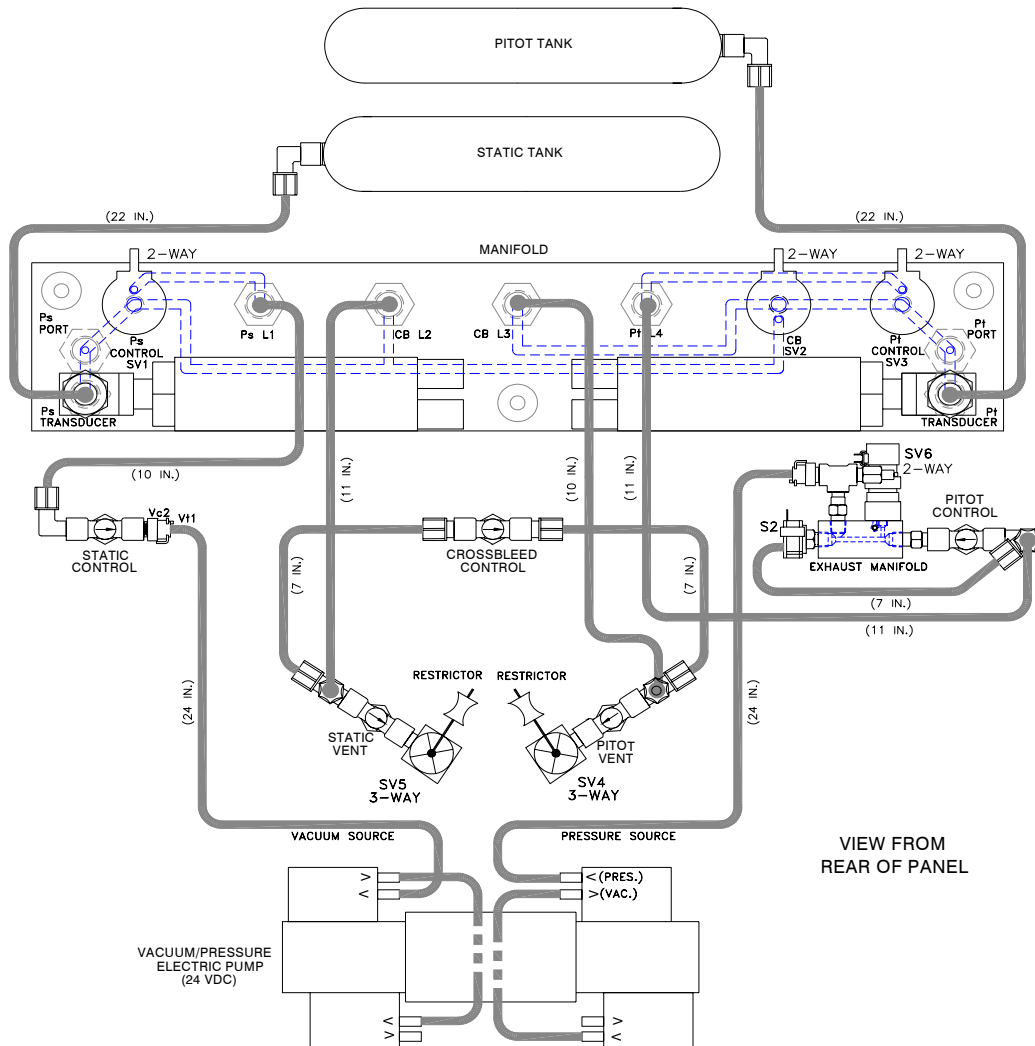
<b>Programmed Limit Exceeded</b>	<b>Single asterisk (*) Warning Deviation from Programmed Limit</b>	<b>Solenoid Valve(s) Actuated (**) Asterisks displayed to indicate programmed limits are exceeded</b>
Normal Operation, No Limit Exceeded	No (*) asterisk display	Open: SV1, SV3, SV4, SV5 Closed: SV2
Altitude	1,000 ft., 350 m	Open: SV3, SV4, SV5 Closed: SV1, SV2
Negative Altitude (-1,800 ft., Not Programmable)	No single asterisk (*) Warning	Open: SV4, SV5 Closed: SV1, SV2, SV3
Airspeed	50 kts., 100 km/hr	Open: SV4, SV5 Closed: SV1, SV2, SV3
Negative Airspeed (-30 kts.; Not Programmable)	No single asterisk (*) Warning	Open: SV2 Closed: SV1, SV3, SV4, SV5
Mach	0.2 Mach	Open: SV4, SV5 Closed: SV1, SV2, SV3
VSI	500 ft/min, 150 m/min	Open: SV4 Closed: SV1, SV2, SV3, SV5

**Table 1 Limit Protection**

## DPS350 USER MANUAL

### 5. DPS350 PNEUMATIC SCHEMATIC DIAGRAM

Figure 6 shows the internal pneumatic connections of the **DPS350** Pitot-Static Test Set.



**Figure 6 DPS350 Pneumatic Diagram**



## DPS350 USER MANUAL

This page intentionally left blank.



## DPS350 USER MANUAL

# CHAPTER 4: OPERATION

## 1. GENERAL

The **DPS350** has been designed to operate similarly to the **Barfield Inc.** 1811 Series testers. The user should become familiar with the **DPS350** before connecting it to an aircraft system or instruments and/or performing any tests.

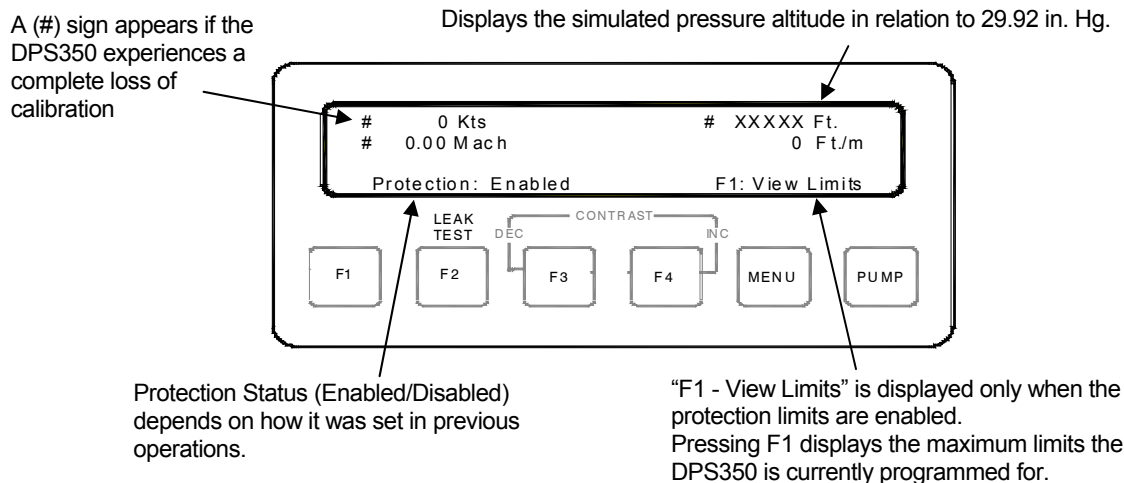
The test procedures are described in place of any specifications by either the airframe or instrument manufacturer. Particular attention should be addressed to preliminary procedures to avoid erroneous test results, and to avoid the danger of damaging any of the aircraft or Test Set instruments. The quick connect ports on the test set and mating hoses are color-coded and keyed to help prevent accidental crossing of Pitot and Static hoses.

Each test set is completely calibrated and tested before shipment. To ensure the integrity of the tests, the **DPS350** should be leak checked before each use.

**Caution:** Do not use unnecessary force to adjust any test set valves. Positive stop spacers have been installed on all metering valves to permit firm closing of the valves without damage. However, excessive force can overcome the knob set screw, resulting in valve damage.

## 2. CONTROL PANEL INSTRUCTIONS

The **DPS350** is equipped with an easy-to-use *Menu Driven Display* designed to assist the technician during setup and testing. Each *Menu Display* gives the user a set of options controlled by four *function keys*. The following figure describes the *parameter display* and *function keys* on the **DPS350** control panel.



## DPS350 USER MANUAL

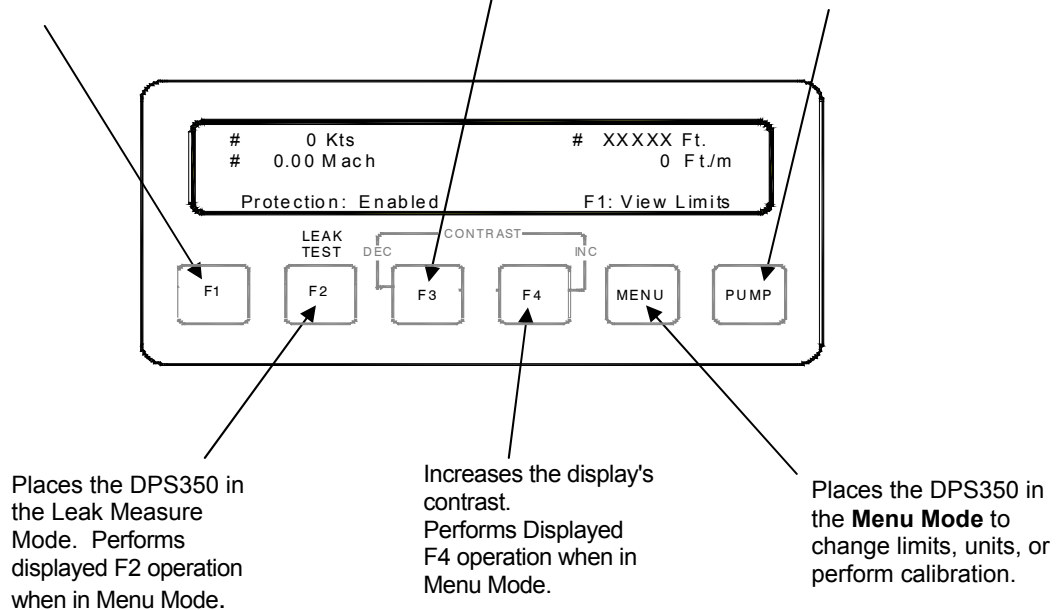
### FUNCTION KEYS - (F1 – F2 – F3 – F4)

The PUMP key, MENU key and LEAK TEST key are functional under normal operation. The display CONTRAST can be adjusted at anytime using the MENU key and F3 or F4 pressed simultaneously, or through only F3 and F4 keys during normal operation. Functions below the switches (F1 through F4) are functional during the MENU or LEAK TEST modes.

Pressing F1 displays the maximum limits the DPS350 is currently programmed for (available when Protection Limits are ENABLED). Performs Displayed F1 operation when in Menu Mode.

Decreases the display's contrast. Performs Displayed F3 operation when in Menu Mode.

Turns Internal Pressure/Vacuum Pump **ON/OFF** at anytime. This function occurs only **after initialization is complete.**



## DPS350 USER MANUAL

The following procedures feature a step-by-step process determining how to setup and operate the tester using the menus.

### A. PRELIMINARY SETUP

#### (1) Initial Valve position for storage and initial power on

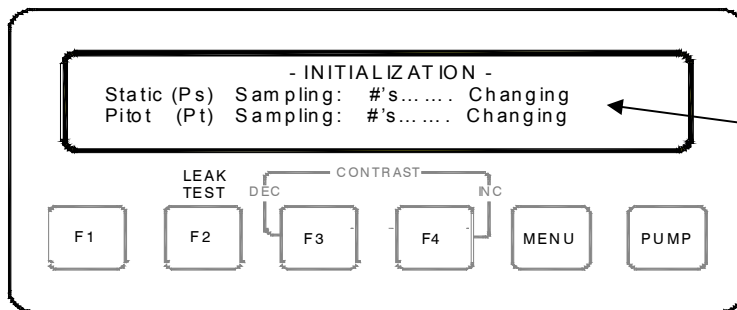
(a)	PITOT CONTROL	Closed	Knob fully clockwise
(b)	STATIC CONTROL	Closed	Knob fully clockwise
(c)	CROSSBLEED CONTROL	Open	Knob fully counterclockwise
(d)	PITOT VENT	Open	Knob fully counterclockwise
(e)	STATIC VENT	Open	Knob fully counterclockwise

**Caution:** Do not use unnecessary force to adjust a test set valve. Positive stop spacers have been installed on all metering valves to permit firm closing of the valves without damage. However, excessive force can overcome the knob set screw, resulting in valve damage.

**Note:** It is imperative that the *Pitot Vent* and *Static Vent* valves are *fully opened* and the *Pitot Control* and *Static Control* valves are *fully closed* before turning power ON to prevent the auto-zero error correcting circuits from malfunctioning. *Wait until initialization is complete before opening or closing any valves.*

**Note:** If the unit loses power or is powered OFF while the aircraft has reached a certain altitude and/or airspeed, open the *Crossbleed Control* valve and use the *Pitot Vent* valve (while observing the aircraft's instruments) to vent the system. If power becomes available, the test set can be powered on without venting to ambient in these circumstances where the only detriment is the airspeed accuracy at very low airspeeds (below 50 kts) may suffer.

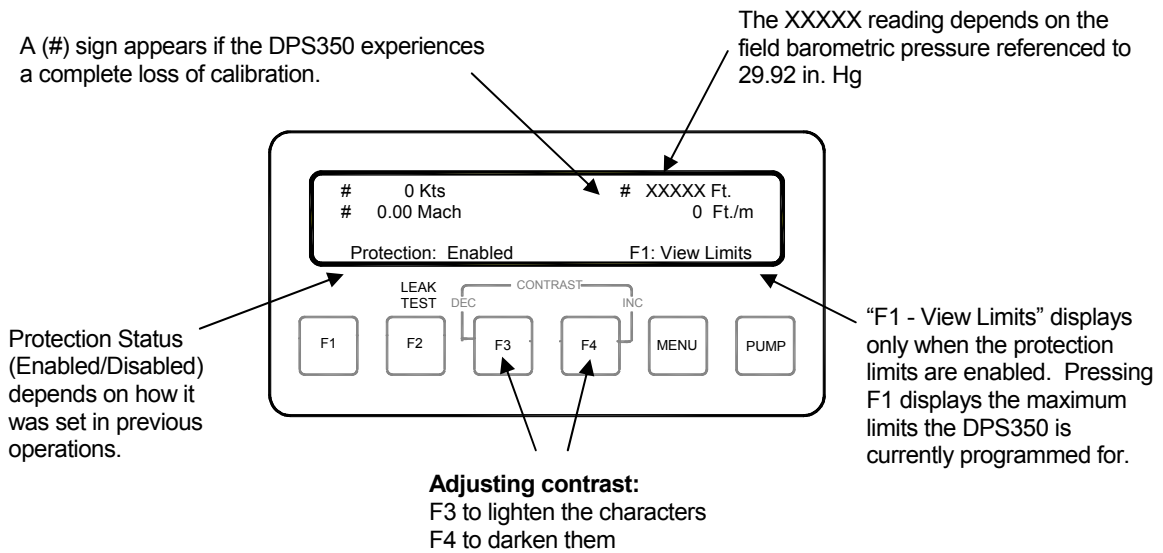
#### (2) Set power switch to ON. After "reading EEPROM", and Test Set Configuration are flashed on the display, the following, or similar screens appear during the Test Set initialization:



Ps & Pt readout increments indicating the sampling of the transducer data Firmware initialization, and Auto Zero Mode. A **-Wait-** sign shows until **Auto Zero & Initialization** are completed.

## DPS350 USER MANUAL

(3) Once initialization finishes, the *Parameter Display* appears:



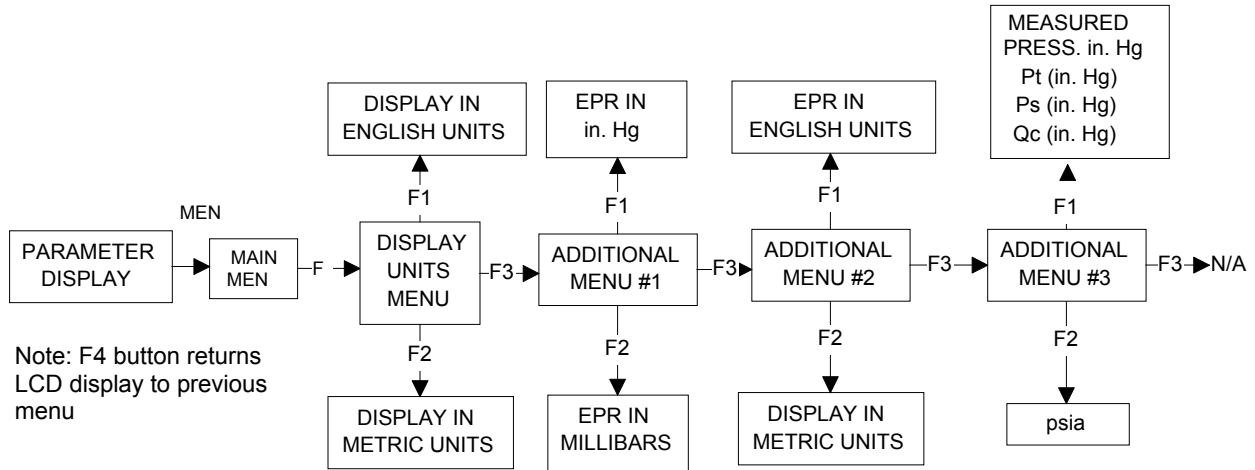
### B. SETTING THE DISPLAYED UNITS

The *DPS350* can be configured to display the altitude and airspeed data using either the English (ft, ft/min) or Metric (m, km/min) system of measurement. Other options include:

- Display the *Engine Pressure Ratio* (EPR) in inches of mercury (in. Hg), millibars (mb), or Pounds Per Square Inch Absolute (PSIA).
- Display EPR with Altitude and Airspeed in Metric or English units.
- Display DPS350 Pressures (Pt, Ps, & Qc) in PSIA (Pounds Per Square Inch Absolute).

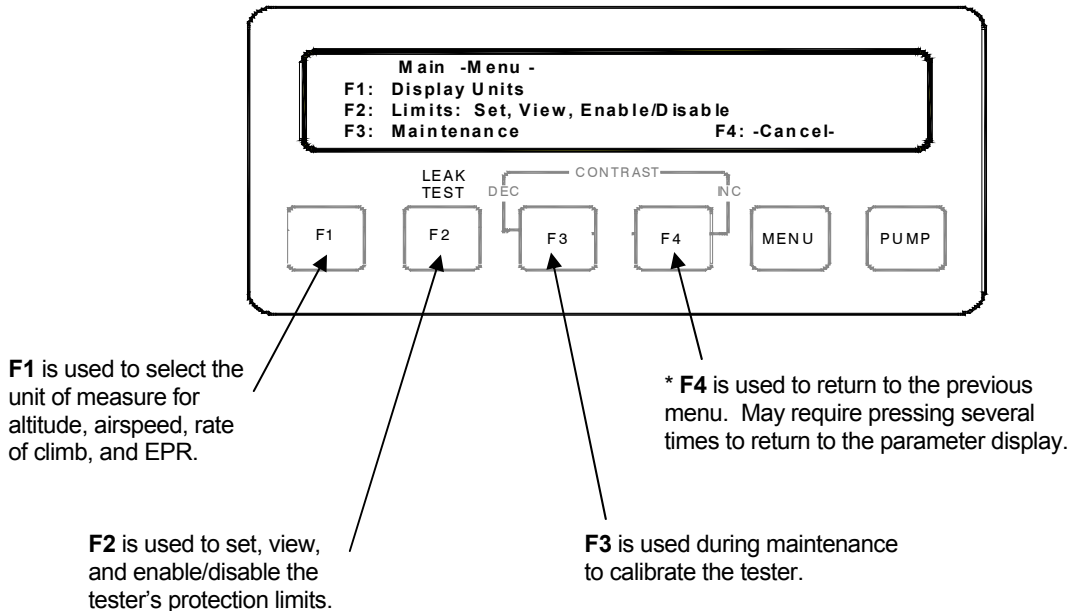
## DPS350 USER MANUAL

The flow diagram shows the route taken to change the displayed units of measure using the LCD display menus:



**Figure 7 DISPLAY UNITS FLOWCHART**

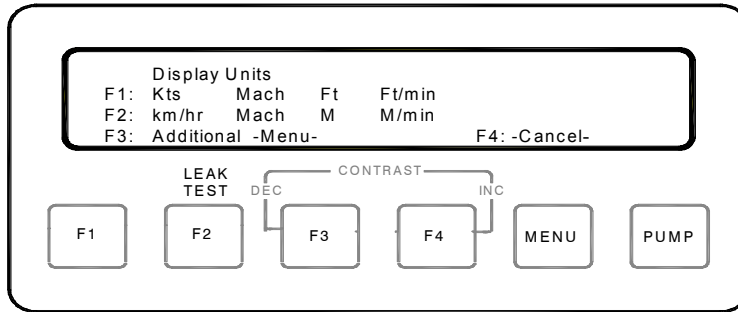
- (1) To change the displayed unit of measure, press the MENU button. The Main Menu appears:



Note: \* F4 is used to return to previous menus, and/or Main Menu. Press it as many times as required to return to the proper display menu. Please become familiar with this feature, and use to your convenience.

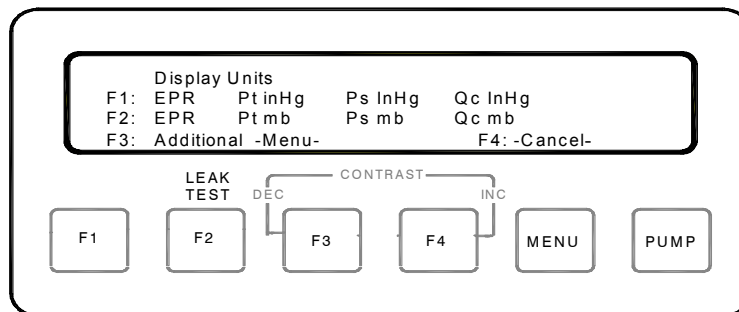
## DPS350 USER MANUAL

(2) Press (F1) to select *Display Units*. The Display Units Menu appears:



- F1** sets altitude to feet, airspeed to knots, and rate of climb to feet/min
- F2** sets altitude to meters, airspeed to km/hr, and rate of climb to meters/min
- F3** is used to scroll to the other pressure units, such as inches of mercury, millibar, or PSI or setting the units up for EPR tests
- F4** is used to return to the previous screen, and/or (-Main Menu-)

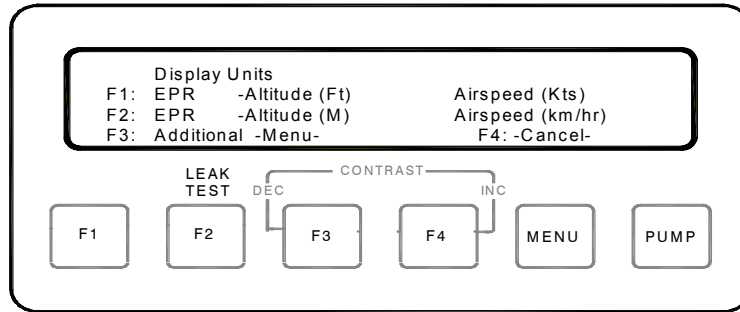
When **F3** is pressed, an additional Display Units Menu (shown below) appears:



- F1** displays the EPR data in the English system (in. Hg).
- F2** displays the EPR data in the Metric system (mb).
- F3** displays the 3rd Display Units Menu to set up unit for EPR data displayed in feet and knots or m and km/hr or continue to PSIA.
- F4** is used to return to the previous menu (1st Display Units). Press twice to return to the -Main Menu-

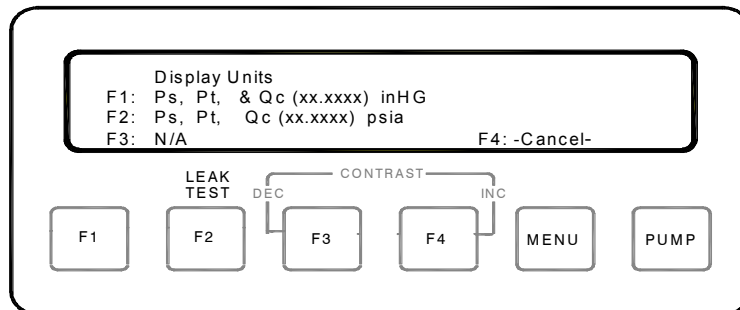
## DPS350 USER MANUAL

When **F3** is pressed again, a third additional Display Units Menu appears:



- F1** displays EPR data in ft and knots.
- F2** displays EPR data in meters and km/hr.
- F3** displays the 4<sup>th</sup> Display Units Menu to set up the unit to show in PSIA.
- F4** is used to return to the previous menu (*Display Units*). Press to return to the Display Units Menu.

When **F3** is pressed 3 times, Display Units Menu (shown below) displays:

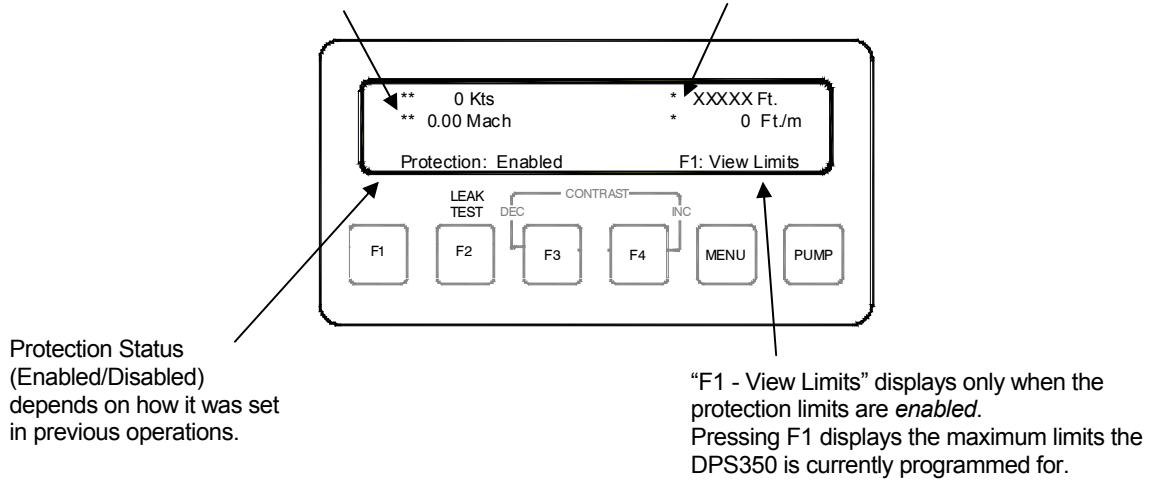


- F1** Ps, Pt and Qc displays in units of (xx.xxxx) in. Hg
- F2** Ps, Pt, Qc displays in units of psi (absolute) and Qc in psi (differential)
- F3** Not Applicable
- F4** Returns user to previous menu. Press to return to the Display Menu.

## DPS350 USER MANUAL

Double Asterisk (\*\*) appears next to Altitude, Airspeed, VSI, or Mach when the protection limits are exceeded.

An asterisk (\*) appears next to Altitude, Airspeed, VSI, or Mach when the protection limits are approached.



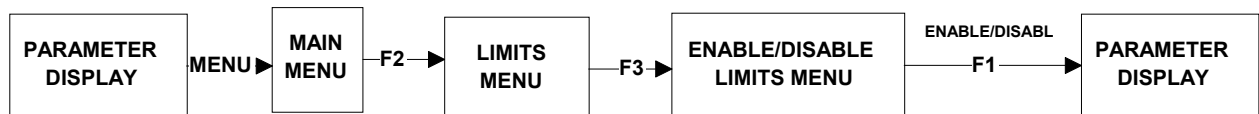
### C. SETTING THE PROTECTION LIMITS

The **DPS350**'s protection limits feature enables a technician to safeguard the sensitive pressure sensing devices aboard the aircraft from damage. The protection limits shield the aircraft from situations where the technician could generate conditions of over pressurization, excessive vertical speed, negative airspeed, or excessive mach speed.

The **DPS350** protective limits can also be disabled. The protective limits should always be enabled when the test set is being used for aircraft testing, but can be disabled when leak checking only the tester and hoses.

Note: While leak checking the tester and hoses, the limits may be disabled because the transducers used in the **DPS350** are damage resistant. The typical conditions, which will cause damage to an aneroid instrument, will not affect the **DPS350** components.

The following flow diagram shows the process through the menus needed to enable/disable the protective limits feature.



Note: F4 button returns LCD display to previous menu

**Figure 8 PROTECTION LIMITS ENABLE / DISABLE FLOWCHART**

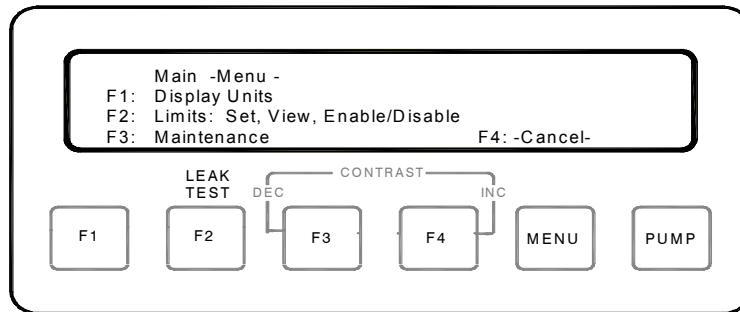


## DPS350 USER MANUAL

### (1) Enable/Disabling Protection Limits

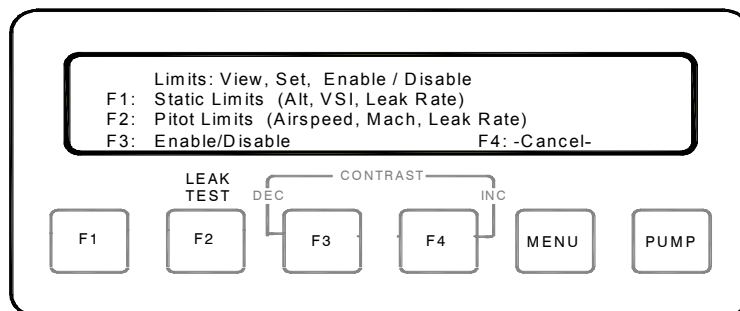
The following procedures describe how to *enable/disable* or set values for the *DPS350* protection limits.

- (a) To begin enabling/disabling the limits, press the MENU switch. The main menu appears:



- F1** selects the type of units to be displayed (e.g. PSIA, in. Hg, ft., kts., etc.).
- F2** sets the protection limits for all parameters and to enable/disable limit protection.
- F3** used during maintenance to calibrate the tester.
- F4** returns to the previous menu.  
Press once to return to the previous screen (parameter display).

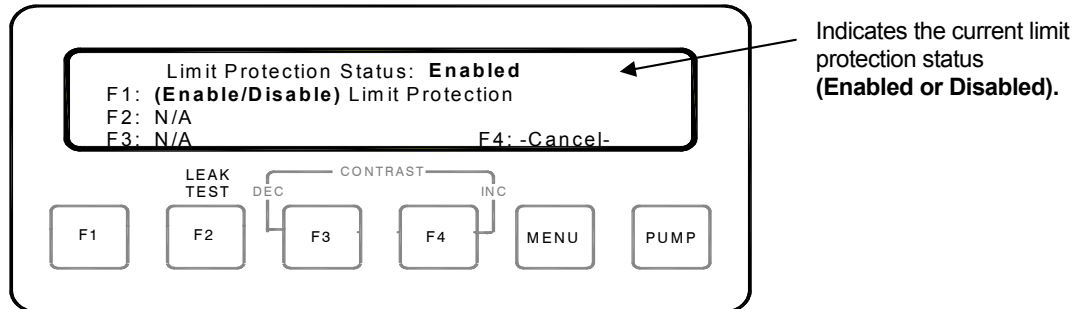
- (b) Press **F2** to set the PITOT and STATIC protection limits. The following LIMITS SET, VIEW, ENABLE/DISABLE menu appears:



**Note:** Protection values are stored in non-volatile memory, and the values displayed are those set in previous operations. It is recommended that the operator *always* set their desired protection limits and ensure the protection limits are enabled *before* use on aircraft or pressure sensitive equipment.

## DPS350 USER MANUAL

- (c) To change the protection limits status, press **F3**. The LIMIT ENABLE/DISABLE menu appears:



- (d) Press **F1** to change the status of the current Limit protection parameters. Once pressed, the display returns to the Parameter Display.

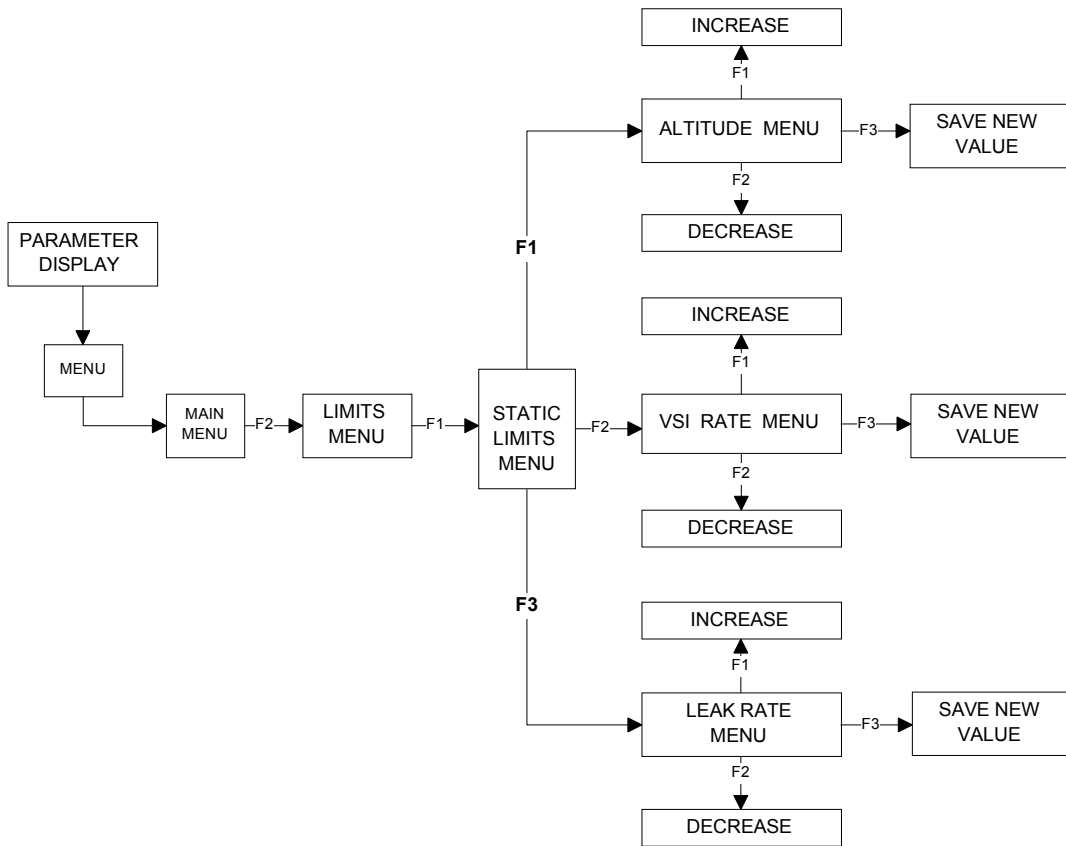
Note: Do *not* press **F1** if you do not wish to change the status. Press **F4** repeatedly until the parameter display menu appears (status is unchanged).

- (e) Verify that Protection Status and Display Units are set to the required limits. Then continue with normal testing.

### (2) *Static Port Limits*

The Static Port Limits include limits on the Altitude, Vertical Speed (VSI), and Leak Rate. The flow diagram (Figure 9, next page) shows the process through the menus needed to set static port limits.

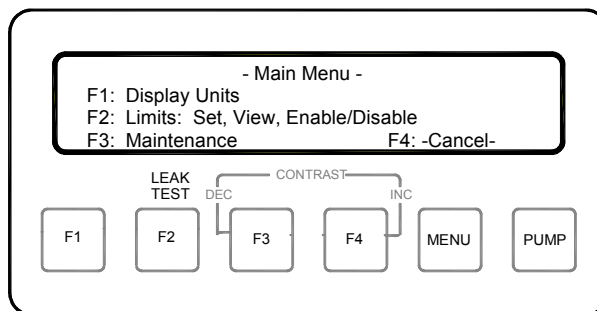
## DPS350 USER MANUAL



**Figure 9 STATIC PORT LIMITS FLOWCHART**

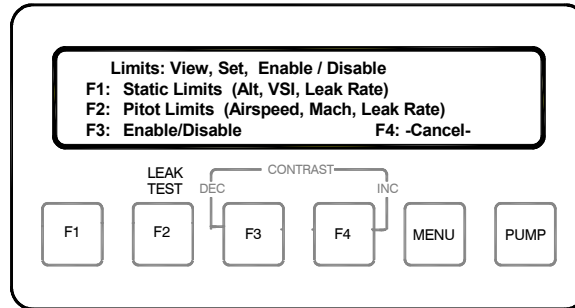
The following procedures describe how to set the values for the **DPS350** static protection limits.

- (a) To begin setting the Static Port limits, press the MENU pushbutton. The Main Menu appears:



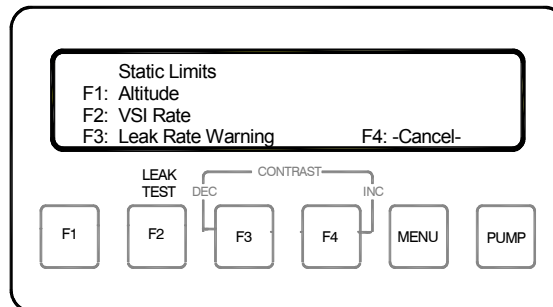
## DPS350 USER MANUAL

(b) Press **F2** to set the pitot or static protection limits. The Limits Menu appears:



Note: Protection values are stored in non-volatile memory, and the values displayed are those set in previous operations. It is recommended that the operator always set their desired protection limits and enable the protection circuits before each use.

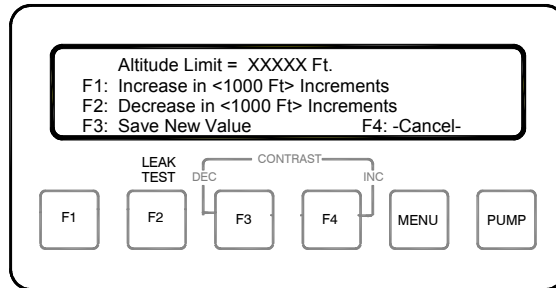
(c) To set the Static Port protection limits, press **F1**. The following Static Limits menu appears:



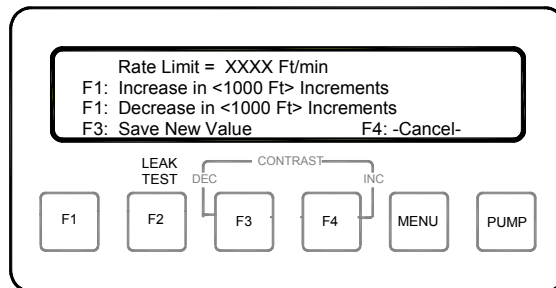
- F1** sets the altitude protection limits.
- F2** sets the rate of climb/descent (VSI) limits.
- F3** sets the Leak Rate limits during Leak Testing.
- F4** returns to the previous menu.

## DPS350 USER MANUAL

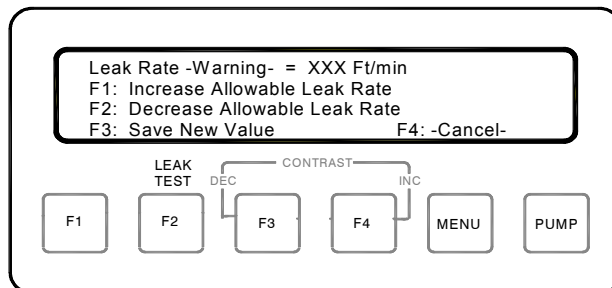
(d) To change the limits, press **F1** for altitude, **F2** for rate protection limits or **F3** for setting the leak rate limits. One of the following Altitude/Rate Limit menus appears:



**F1 = Altitude Limit Menu**



**F2 = Rate Limit Menu**



**F3 = Leak Rate Limit Menu**

**Note:** In these figures, XXXXX, XXXX, and XXX represent the values previously set.

- **F1** increases and **F2** decreases the Altitude or Rate Limits in 1,000-ft increments or Leak Rate Limits by 50 ft/min. To scroll down/up, quickly keep the **F1** or **F2** button pressed.
- Press **F4** to return to the STATIC LIMITS Menu without saving any changes.

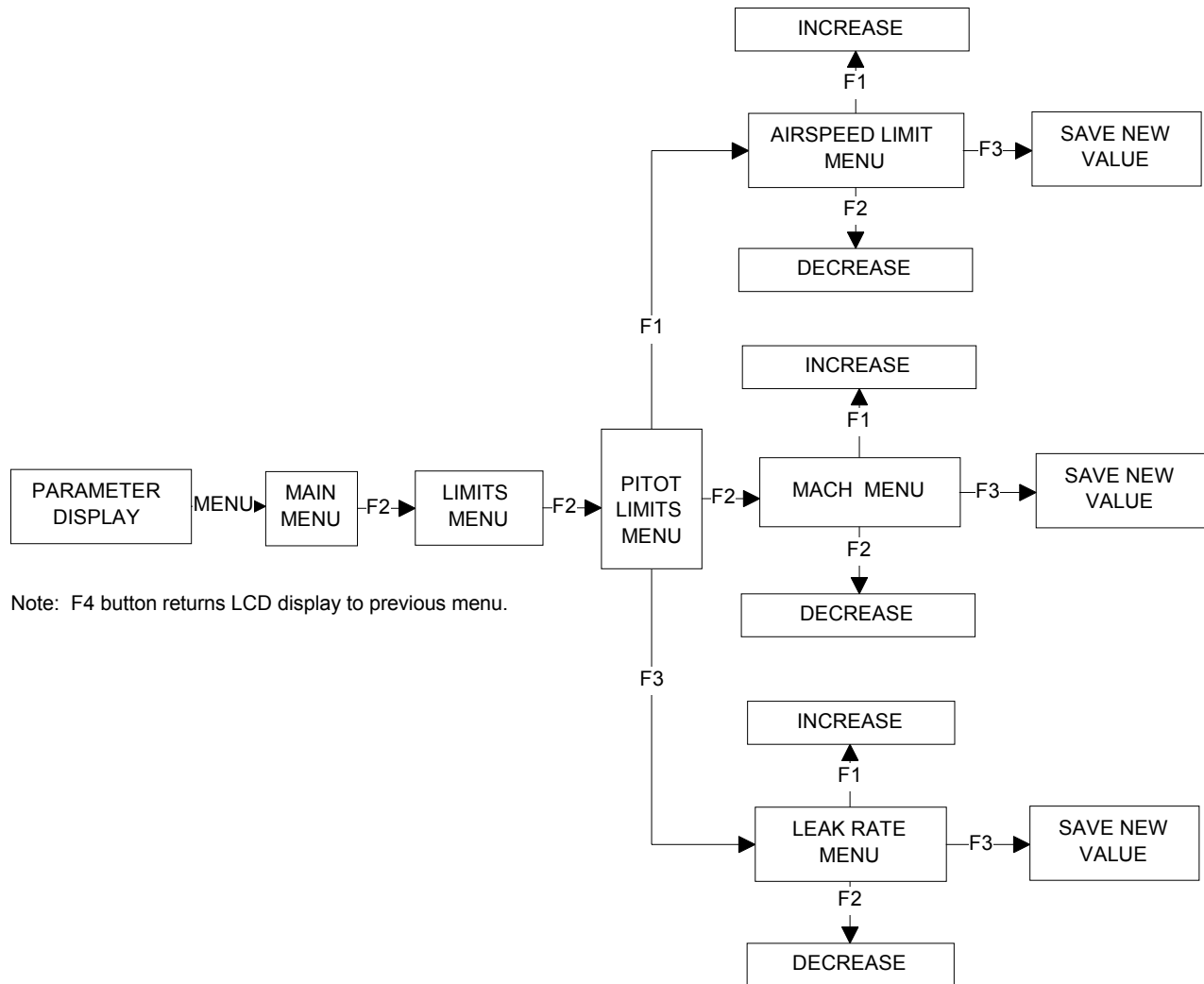
## DPS350 USER MANUAL

- Once the desired Altitude or Rate protection limit is reached (as indicated in the display), press **F3** to store the new value. The display automatically returns to the STATIC Limits menu after saving the limit value.

(e) Press **F4** until screen returns to the parameter display.

### (3) Pitot Port Limits

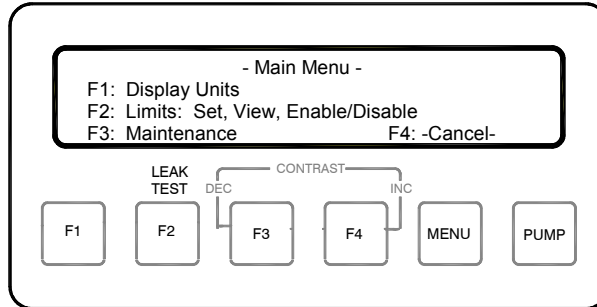
The Pitot Port Limits include Maximum Airspeed and Mach Limits. The following flow diagram shows the process through the menus needed to set the Pitot Port Limits.



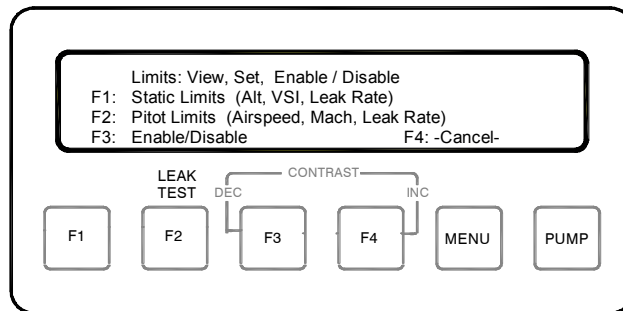
**Figure 10 PITOT PORT LIMITS FLOWCHART**

## DPS350 USER MANUAL

- (a) To begin setting the Pitot Port Limits, press the MENU pushbutton. The Main Menu appears:



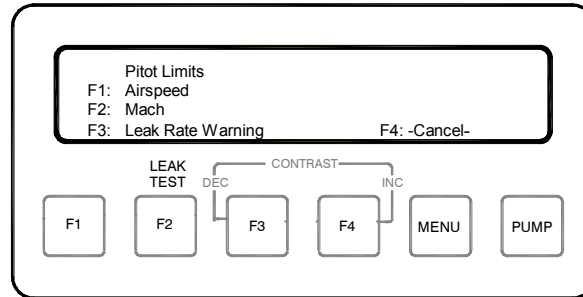
- (b) Press **F2** to set the pitot or static protection limits. The Limits Menu appears:



Note: Protection values are stored in non-volatile memory, and the values displayed are those set in previous operations. It is recommended that the operator always set their desired protection limits and enable the protection circuits before each use.

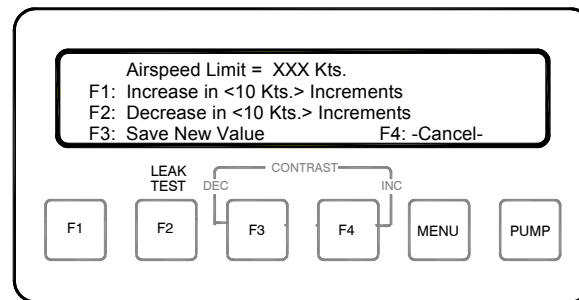
## DPS350 USER MANUAL

(c) To set the Pitot Port protection limits, press **F2**. The Pitot Limits Menu appears:

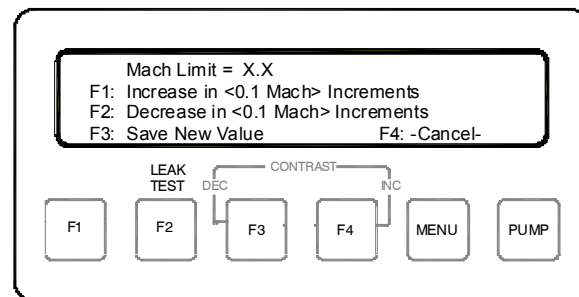


- F1** sets the Airspeed protection limits.
- F2** sets the Mach protection limits.
- F3** sets the Leak Rate limits used during Leak Testing.
- F4** is used to return to the previous menu.

(d) To change airspeed or Mach limits, press **F1** for Airspeed or **F2** for Mach protection. One of the following Airspeed/Mach Limit menus appears:



**F1 = Airspeed Limit Menu**



**F2 = Mach Limit Menu**

Note: XXX and X.X represent values previously set.



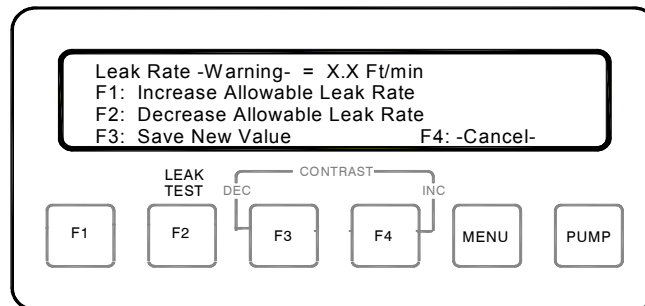
## DPS350 USER MANUAL

- **F1** increases and **F2** decreases the Airspeed Limits in 10 kts. increments, or the Mach Limit in 0.1 increments. To scroll up/down quickly, press and hold in the **F1** or **F2** pushbutton.

Note: Press **F4** to return to the pitot limits menu without saving any changes.

Once the desired Airspeed or Mach protection limit is reached (as indicated in the display), press **F3** to store the new value. After saving the limit value, the display automatically returns to the Pitot Limits menu.

- (e) To change the Leak Rate limits at the Pitot Limits screen, press **F3**. The Leak Rate limits menu appears:



**F3 = Leak Rate Limit Menu**

Note: X.X represents values previously set.

- **F1** increases and **F2** decreases the Leak Rate Limits by 50 ft/min. To scroll up/down quickly, press and hold in the **F1** or **F2** button.
- Press **F4** to return to the Pitot Limits Menu without saving any changes.
- Once the desired Rate protection limit is reached (as shown on the display), press **F3** to store the new value. After saving the limit value, the display automatically returns to the Pitot Limits menu.

- (f) Press **F4** until returned to the parameter screen.

## DPS350 USER MANUAL

### D. PROTECTION CIRCUIT RESET INSTRUCTIONS

#### (1) Altitude Limits Exceeded

- (a) Close STATIC CONTROL and PITOT CONTROL valves fully.

Caution: Do not use unnecessary force to adjust any test set valves. Positive stop spacers have been installed on all needle valves to permit firm closing of the valves without damage. However, excessive force can overcome the knob set screw, resulting in valve damage.

- (b) Slowly open the CROSSBLEED CONTROL valve until the airspeed equals 0 knots.
- (c) Slowly open the PITOT VENT valve until the displayed altitude is 2,000 feet below the programmed limit, then close the PITOT VENT valve.

Note: Do not exceed programmed VSI rates while venting the system or the VSI rate protection circuit will trip.

- (d) Press **F4**. The message "**Limit Exceeded F4:-RESET-**" is replaced by "**Protection Enabled F1: View Limits**" and the protection circuit resets.
- (e) Slowly reopen the STATIC CONTROL valve. Ensure not to exceed programmed VSI limits and continue with normal testing.

#### (2) VSI Rate Limit Exceeded

- (a) Close the STATIC CONTROL valve fully.

- (b) Allow the VSI rate to drop below the programmed limit. Press **F4**. The message "**Limit Exceeded, F4:-RESET-**" is replaced by "**Protection Enabled F1: View Limits**" and the protection circuits resets.

Note: Due to pressure transients, It may be possible that the display shows variations of altitude and VSI after the protection circuits trip. These are instantaneous readings sensed by the transducers (which respond much faster than analog instruments) and do not affect the aircraft systems to which the tester is connected. Once the protection systems trip, the aircraft systems remain fully isolated until the operator resets the DPS350 protection system.

- (c) Slowly reopen the STATIC CONTROL valve, taking care not to exceed programmed VSI limits.

- (d) Continue testing as necessary.

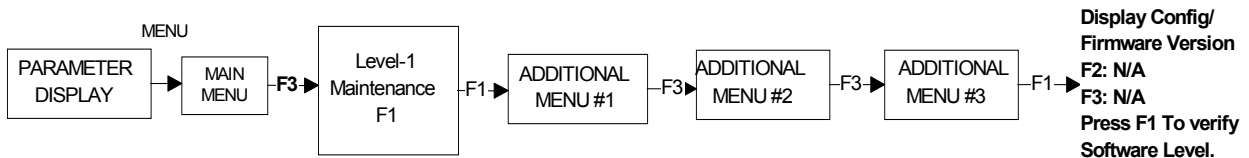
## DPS350 USER MANUAL

### (3) Airspeed/Mach Limit Exceeded

- (a) Close STATIC CONTROL and PITOT CONTROL valves.
- (b) Slowly Open the CROSSBLEED CONTROL valve until the airspeed is under the limit.
- (c) Press **F4**. The message "**Limit Exceeded, F4:-RESET-**" is replaced by "Protection Enabled F1: View Limits" and the protection circuits resets.
- (d) Reset the Altitude to the previous datum (test) point by slowly opening the STATIC CONTROL valve.
- (e) If higher airspeed is required, reprogram the Airspeed or Mach limits.
- (f) Slowly reopen the PITOT CONTROL valve and proceed with normal testing.

### E. DISPLAYING FIRMWARE VERSION

The following flowchart shows the sequence of menus needed to display the firmware version:



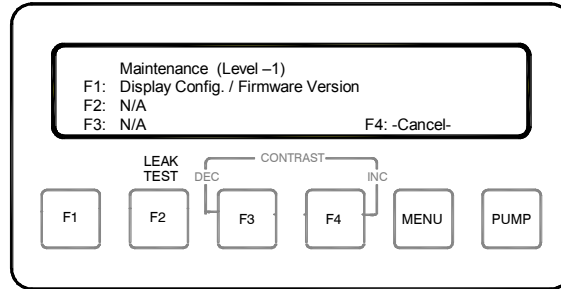
**Figure 11 Firmware Flowchart**

To display current firmware version, do the following:

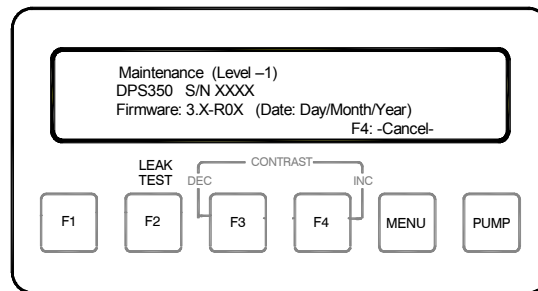
- (1) If necessary, press **F4** until the screen returns to the parameter display.
- (2) Press Menu pushbutton.
- (3) Press **F3** (Maintenance).
- (4) Press **F1** (Level -1).

## DPS350 USER MANUAL

- (5) Press **F3** (Additional -Menu-) three times or until the Maintenance (Level 1) screen shows the Display Config / Firmware Version option screen:



- (6) Press **F1** to show firmware version. (The **DPS400** shows the firmware version and its release date.)



- (7) Press **F4** until returned to the parameter display.

### 3. TEST SET LEAK TEST

Each Test Set is completely calibrated and tested before shipment, but to ensure the integrity of the sensitive tests to be made, the pretests included in this section should be performed immediately before each use of the *DPS350*.

#### A. PRELIMINARY SETUP

- (1) Initial Valve Position for Test Set Leak Check

(a) PITOT CONTROL	Closed	Knob fully clockwise
(b) STATIC CONTROL	Closed	Knob fully clockwise
(c) CROSSBLEED CONTROL	Open	Knob fully counterclockwise
(d) PITOT VENT	Open	Knob fully counterclockwise
(e) STATIC VENT	Open	Knob fully counterclockwise

**Caution:** Do not use unnecessary force to adjust any test set valve. Positive stop spacers have been installed on all metering valves to permit firm closing of the valves without damage. However, excessive force can overcome the knob set screw, resulting in valve damage.



## DPS350 USER MANUAL

**Note:** Do not over tighten the valves. A light pressure is required to completely open or close the valves supplied with the DPS350 or other Barfield Inc. Pitot-Static testers.

- (2) Ensure hoses are connected to the PITOT Port and STATIC Port of the test set and that the hose connections make a good seal. If the connectors on the aircraft side of the hoses are not quick disconnects or self-sealing, then a tight sealing plug should be used to seal the hose assembly. This is necessary to test the hose leakage as well as the tester. This is the ideal leak test that determines the condition of the tester and hoses together. If a sealing plug is not available, then leak test the *DPS350* without connecting the hoses.

- (3) Connect the Power cable, the STATIC (blue band) hose and PITOT (red band) hose to the test set if not already connected.

**Note:** The quick connect ports on the test set and mating hoses are color-coded and keyed to help prevent the accidental crossing of Pitot and Static hoses.

- (4) Set the POWER switch to ON. Allow the initialization to complete (parameter display appears).

**Note:** If the unit loses power or is powered off for some reason while in altitude and/ or airspeed, close static and pitot controls. Open the CROSSBLEED CONTROL valve and use the PITOT VENT valve (while observing the aircraft instruments) to vent the system. If power becomes available, the test set can be powered on without venting to ambient in these circumstances where the only disadvantage relates to having the airspeed accuracy at very low airspeeds (below 50 kts.) may suffer.

- (5) Press the PUMP button to turn the internal *Pressure/Vacuum Pump* ON.

**Note:** The PUMP can be turned ON / OFF as necessary.

Since the transducers used in the test set are resistant to damage, typically affecting Aneroid Instruments, the Protection Limits may be disabled during the *DPS350* leak tests to reduce the required time it takes to check the condition of the test set. *The protection limits ensure that no damage to the Aircraft's Pitot-Static systems occur during testing.*

### B. STATIC LEAK TEST

- (1) Close the STATIC and PITOT Vents.
- (2) Ensure the CROSSBLEED CONTROL valve is open.

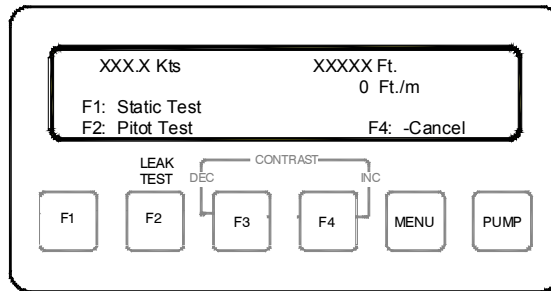
**Caution:** The CROSSBLEED CONTROL valve must be open while the Static Channel (Altitude) is changed. The CROSSBLEED CONTROL valve bleeds the Static and Pitot Pressures together, preventing an undesirable differential pressure or airspeed from being created on the Pitot Channel.

## DPS350 USER MANUAL

- (3) Slowly open the STATIC CONTROL valve (while observing and maintaining the VSI below the programmed limits) and establish an altitude of 20,000 feet (or applicable test altitude when Leak Testing aircraft).

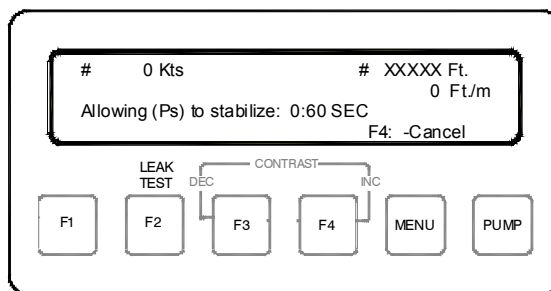
**Note:** If a programmed limit (VSI, Airspeed, Altitude, Mach or Leak Rate) is exceeded during the test, refer to PROTECTION CIRCUIT RESET INSTRUCTIONS. (The Limit protection feature may be disabled during the Tester Only Leak Checks without causing damage to the equipment.)

- (4) Once the desired altitude is established, close the STATIC CONTROL valve.
- (5) To begin the Static Leak Test, press the Leak Test Button (**F2**). The Leak Test Mode menu appears:



**Note:** The XXX.X Kts. and XXXXX Ft. indication are the airspeed and altitude from which the leak test was started.

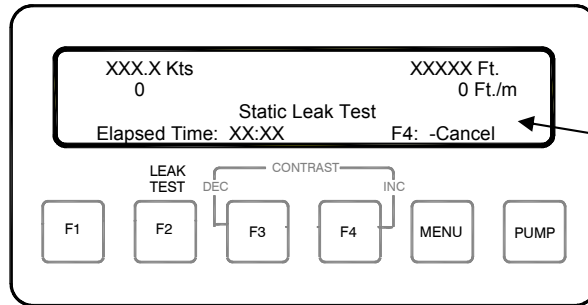
- (6) Press **F1** for the Static Leak Check. The following display appears:



**Note:** Do *not* press **F1** until you are ready to do the Leak Check. As soon as **F1** is pressed, the screen above appears with a 60-second countdown timer, allowing time for stabilization of the static pressure. The actual leak check measurement begins when the timer has completed the 60-second stabilization time.

## DPS350 USER MANUAL

- (7) After the 60 seconds stabilization time elapses, the Static Leak Test screen appears and indicates the start of the actual leak test.



The Static Leak reading is taken every 3 seconds and the results are displayed in Ft./min.

- (8) Allow the test set elapsed time to reach approximately 2.00 min or more. Record the leak rate of the tester and hoses so it can be deducted from the aircraft leak rate. *The test set must have a leak rate of 50 ft/min or less.*
- (9) If the leak rate is greater than 50 ft/min, remove the hoses from the test set and repeat the Static Leak Test. Repeating this procedure isolates the Test Set from the hoses. If the test set passes the procedure, the leak is located in the static hose or connector. To correct the problem, repair or replace the hoses or connectors. A repeated failure of the test set demonstrates the leak is contained within the test set and should be sent to the manufacturer for repair.
- (10) Press F4 to cancel the leak check at any time during the procedure. Press the F4 button again to return to the parameter display screen. Slowly open the PITOT VENT valve (while observing and maintaining the VSI below the programmed limits) to return the static system to ambient pressure.

**Note:** To ensure that a negative airspeed condition does not occur, it is important to vent the *Static* pressure through the PITOT VENT valve.

**Note:** If one or more of the programmed limits (VSI, Airspeed, Altitude, Mach or Leak Rate) are exceeded during the test, refer to *Protection Circuit Reset Instructions*. (The Limit protection feature may be disabled during the Tester Only Leak Checks without causing damage to the equipment.)

- (11) Ensure the tester is in the following configuration before disengaging the power:

(a)	PITOT CONTROL	Closed
(b)	STATIC CONTROL	Closed
(c)	CROSSBLEED CONTROL	Open
(d)	PITOT VENT	Open
(e)	STATIC VENT	Open

## DPS350 USER MANUAL

### C. PITOT LEAK TEST

- (1) Close the PITOT VENT valve, but leave the STATIC VENT valve open to ambient pressure.

**Caution:** The STATIC VENT valve is left open to ambient to prevent damage to the aircraft altimeter.

**Caution:** Do not use unnecessary force to adjust any test set valves. Positive stop spacers have been installed on all needle valves to permit firm closing of the valves without damage. However, excessive force can overcome the knob setscrew, resulting in valve damage.

- (2) Close the CROSSBLEED CONTROL valve

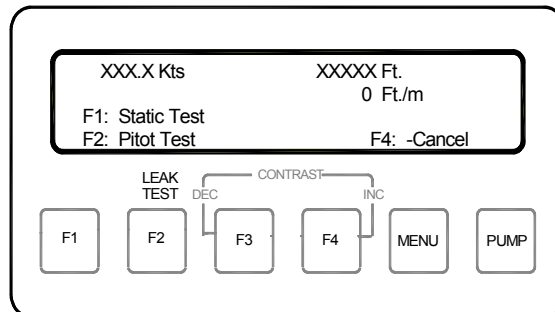
**Note:** The CROSSBLEED CONTROL valve is closed so the Pitot channel can establish a differential pressure (airspeed).

- (3) Slowly open PITOT CONTROL valve and establish an airspeed of 300 knots (or applicable test airspeed when Leak Testing the aircraft).

**Note:** If any of the programmed limits (VSI, Airspeed, Altitude, Mach or Leak Rate) are exceeded during the test, refer to the *Protection Circuit Reset Instructions*. (The Limit protection feature may be disabled during the Tester Only Leak Checks without causing damage to the equipment.)

- (4) Close the PITOT CONTROL valve when the desired airspeed has been established.

- (5) To begin the Pitot Leak Test, press the Leak Test Button (**F2**). The Leak Test Mode menu appears:

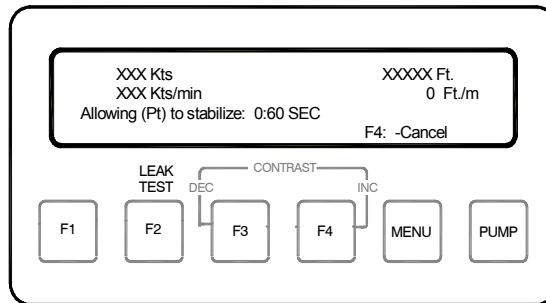


**Note:** The XXX.X kts and XXXXX Ft. indication are the airspeed and altitude from which the leak test was started.



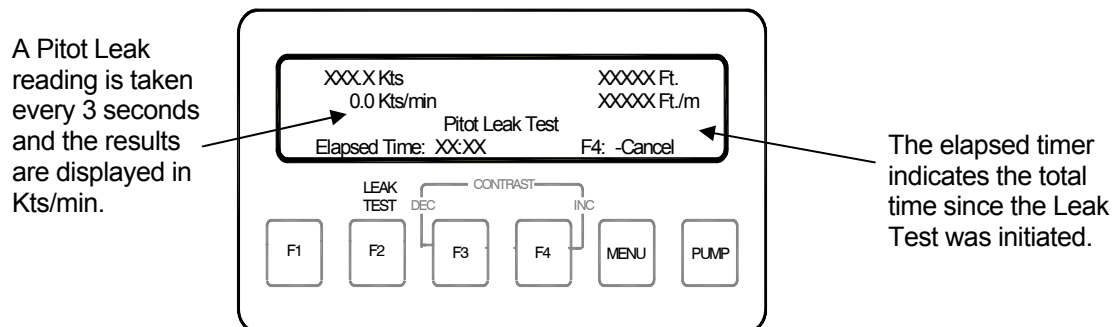
## DPS350 USER MANUAL

- (6) Press **F2** for a Pitot Leak Check. The following menu appears:



**Note:** Do *not* press **F2** until ready to do the Leak Check. As soon as **F2** is pressed, the screen above will display a 60-second countdown timer, allowing time for stabilization of the pitot pressure. The actual leak check measurement engages when the timer has completed the 60-second stabilization time.

- (7) After the 60-seconds stabilization time elapses, the Pitot Leak Test screen appears to indicate the start of the actual leak test.



- (8) Allow the test set elapsed time to reach about 2.0 minutes or more. Record the leak rate of the tester and hoses. The test set must have a leak rate of 2 kts/min or less. If the leak rate is greater than 2 kts/min, remove the hoses from the test set and repeat the Pitot Leak Test. Repeating this procedure isolates the Test Set from the hoses. If the test set passes the procedure, then the leak is located in the Pitot hose or connector. To correct the problem, repair or replace the hoses or connectors. A repeated failure of the test set demonstrates the leak is contained within the test set and should be sent to the manufacturer for repair.
- (9) Press **F4** to cancel the leak check at any time during the procedure. Press the **F4** button again to return to the parameter display screen.
- (10) After testing is completed, slowly open the PITOT VENT until the airspeed has reached 0 knots.



## DPS350 USER MANUAL

(11) Ensure the Tester is in the following configuration before removing power:

- |                        |        |
|------------------------|--------|
| (a) PITOT CONTROL      | Closed |
| (b) STATIC CONTROL     | Closed |
| (c) CROSSBLEED CONTROL | Open   |
| (d) PITOT VENT         | Open   |
| (e) STATIC VENT        | Open   |

(12) Turn off POWER if the *DPS350* leak testing is complete.

### D. APPLYING LEAK CORRECTION

If the leak rate does not exceed 2 kts/min or 50 ft/min, record the leak rate of the test set and hoses so that the values can be subtracted from the aircraft's leak test. The calculated value removes the leaks caused by the tester and hoses, and isolates the aircraft systems' leak rate.

## 4. AIRCRAFT TESTING

### A. PRELIMINARY SETUP

(1) Verify the POWER switch is OFF.

(2) Initial Valve Position for the test set.

- |                        |        |                             |
|------------------------|--------|-----------------------------|
| (a) PITOT CONTROL      | Closed | Knob fully clockwise        |
| (b) STATIC CONTROL     | Closed | Knob fully clockwise        |
| (c) CROSSBLEED CONTROL | Open   | Knob fully counterclockwise |
| (d) PITOT VENT         | Open   | Knob fully counterclockwise |
| (e) STATIC VENT        | Open   | Knob fully counterclockwise |

**Note:** Do not over tighten the valves. A light pressure is necessary to completely open or close the valves supplied with the *DPS350* or other *Barfield Inc.* Pitot-Static testers.

(3) Connect the power cable, the STATIC (blue band) hose and PITOT (red band) hose to the test set, if not already connected.

**Note:** The quick connect ports on the test set and mating hoses are color-coded and keyed to help prevent the accidental crossing of Pitot and Static hoses.

(4) Ensure that the Tester Leak Checks referenced in the *Test Set Leak Test* are completed before connecting the tester to the aircraft systems.



## DPS350 USER MANUAL

- (5) Using a *Barfield Inc.* universal adapter or another manufacturer's custom aircraft pitot adapter, connect the PITOT PORT hose (*red band*) to the aircraft pitot system as referenced in the aircraft maintenance manual. Using the *Barfield Inc.* 2423F Static Port adapter or another manufacturer's custom aircraft static adapter, connect the STATIC PORT hose (blue band) to the aircraft static system, as referenced in the aircraft maintenance manual.

Note: Some aircraft have more than one static port associated with a given static system. Make sure that other ports in the system being tested are sealed before continuing.

- (6) Set the aircraft altimeter barometer to 29.92 in. Hg.
- (7) Set the POWER switch ON. Allow the initialization to complete (indicated when the parameter display appears).
- (8) Program and enable the Altitude, Airspeed/Mach, and VSI limits on the test set. Refer to *SETTING THE PROTECTION LIMITS* for instructions and ensure that the aircraft's instrument limits are never exceeded.
- (9) Press the PUMP button to turn the internal Pressure/Vacuum Pump ON.

### B. PITOT SYSTEM TEST

- (1) Leak Test

Caution: Should any subsequent step fail, follow the steps outlined in the *TEST SET SHUTDOWN PROCEDURE* before disconnecting the test set.

Caution: Before pressurizing the aircraft Pitot and/or Static systems ensure Limit Protection is ENABLED and the Airspeed and Mach limits are set to the appropriate values. Refer to *SETTING THE PROTECTION LIMITS* for instructions to ensure that the aircraft instrument limits are never exceeded.

- (a) Close the PITOT VENT valve and maintain the STATIC VENT open to ambient pressure.

Caution: The STATIC VENT valve is left open to ambient to prevent damage to the aircraft altimeter.

- (b) Close the CROSSBLEED CONTROL valve.

Note: The CROSSBLEED CONTROL valve is closed so the Pitot channel can establish a differential pressure (airspeed).

- (c) Observe the aircraft and test set airspeed indications while slowly opening the PITOT CONTROL valve to the desired airspeed test point (*typically 300 kts.*).

## DPS350 USER MANUAL

**Note:** If one or any of the programmed limits (VSI, Airspeed, Altitude, Mach or Leak Rate) are exceeded during the test, refer to *PROTECTION CIRCUIT RESET INSTRUCTIONS*. (The Limit protection feature may be disabled during Tester Only Leak Checks without causing damage to the equipment.)

- (d) Upon reaching the desired airspeed, fully close the PITOT CONTROL valve and perform the Pitot leak check following the instructions for the Tester Pitot Leak Test steps (5) through (12).

### (2) Airspeed Checks (Pitot Only)

**Caution:** Should any subsequent steps fail, follow the steps outlined in the Standard Test Set Shutdown Procedure before disconnecting the test set.

**Caution:** Before pressurizing the aircraft's Pitot and/or Static systems, ensure the Limit protection is ENABLED and the Airspeed and Mach limits are set to the appropriate values. Refer to Table 2. Make sure that the aircraft's instrument's limits are never exceeded.

- (a) Verify that the Tester Pitot Leak Test and the Aircraft Pitot System Leak checks have been completed. Set the front panel controls as follows:

I.	PITOT CONTROL	Closed	Knob fully clockwise
II.	STATIC CONTROL	Closed	Knob fully clockwise
III.	CROSSBLEED CONTROL	Open	Knob fully counterclockwise
IV.	PITOT VENT	Open	Knob fully counterclockwise
V.	STATIC VENT	Open	Knob fully counterclockwise

- (b) Close the PITOT VENT valve and leave the STATIC VENT open to ambient pressure.

**Caution:** The STATIC VENT valve is left open to ambient to prevent damage to the aircraft altimeter.

- (c) Close the CROSSBLEED CONTROL valve.

**Note:** The CROSSBLEED CONTROL valve is closed so that the Pitot channel can establish a differential pressure (airspeed).

**Caution:** Do not use unnecessary force to adjust any test set valves. Positive stop spacers have been installed on all metering valves to permit the firm closing of the valves without damage. However, excessive force can overcome the knob set screw, resulting in valve damage.

- (d) Monitor the aircraft's and test set's airspeed indications while slowly opening the PITOT CONTROL valve to the desired airspeed test point.

## DPS350 USER MANUAL

**Note:** If one or more programmed limits (VSI, Airspeed, Altitude, Mach or Leak Rate) are exceeded during the test, refer to the Protection Circuit Reset. (The Limit protection feature may be disabled during Tester Only Leak Checks without causing damage to the equipment.)

- (e) Upon reaching the desired airspeed, fully close the PITOT CONTROL valve.
- (f) To adjust the airspeed to the next datum point, slowly open the PITOT CONTROL to *increase* or PITOT VENT valve to *decrease* the pressure for establishing the next airspeed.
- (g) After testing has been completed, slowly open the PITOT VENT valve until the airspeed has reached 0 knots.

**Note:** If one or more programmed limits (VSI, Airspeed, Altitude, Mach or Leak Rate) are exceeded during the test, refer to the Protection Circuit Reset. (The Limit protection feature may be disabled during Tester Only Leak Checks without causing damage to the equipment).

- (h) Ensure Tester has the following configuration before disengaging power:
 

I. PITOT CONTROL	Closed	Knob fully clockwise
II. STATIC CONTROL	Closed	Knob fully clockwise
III. CROSSBLEED CONTROL	Open	Knob fully counterclockwise
IV. PITOT VENT	Open	Knob fully counterclockwise
V. STATIC VENT	Open	Knob fully counterclockwise
- (i) Continue to the Static System Test or if testing has been completed, disconnect the PITOT and STATIC ports from the aircraft.

### C. STATIC SYSTEM TEST

#### (1) Leak Test

**Caution:** Should any subsequent steps fail, follow the steps outlined in the *Standard Test Set Shutdown Procedure* before disconnecting the test set.

- (a) The Tester should be in the following positions:
 

I. PITOT CONTROL	Closed	Knob fully clockwise
II. STATIC CONTROL	Closed	Knob fully clockwise
III. CROSSBLEED CONTROL	Open	Knob fully counterclockwise
IV. PITOT VENT	Open	Knob fully counterclockwise
V. STATIC VENT	Open	Knob fully counterclockwise



## DPS350 USER MANUAL

**Caution:** Before pressurizing the aircraft Pitot and/or Static systems ensure that the Limit protection is ENABLED and the Altitude and Rate of Climb (VSI) limits are set to the appropriate values. Make sure that the aircraft instrument limits are never exceeded.

- (b) Close the STATIC and PITOT VENT valves.
- (c) Ensure the CROSSBLEED CONTROL valve is fully open.

**Caution:** The CROSSBLEED CONTROL valve must be open while the Static Channel (Altitude) is changed. The CROSSBLEED CONTROL valve bleeds the Static and Pitot Pressures together, preventing an undesirable differential pressure or airspeed from being created on the Pitot Channel.

- (d) Slowly open the STATIC CONTROL valve (while observing and maintaining the VSI below the programmed limits) and establish the desired test altitude (typically 20,000 feet) then close the STATIC CONTROL valve fully.

**Note:** If any of the programmed limits (VSI, Airspeed, Altitude, Mach or Leak Rate) are exceeded during the test then refer to the Protection Circuit Reset Instructions. (The Limit protection feature may be disabled during Tester Only Leak Checks without causing damage to the equipment.)

- (e) Perform the Static Leak Test following the instructions for the STATIC LEAK TEST, steps (5) and (11).

### (2) Altitude Checks (Static Only)

**Caution:** Should any subsequent steps fail, follow the steps outlined in the *Standard Test Set Shutdown Procedure* before disconnecting the test set.

- (a) Verify that Tester Static Leak and the Aircraft Static System Leak check have been completed. Set the front panel controls.

I. PITOT CONTROL	Closed	Knob fully clockwise
II. STATIC CONTROL	Closed	Knob fully clockwise
III. CROSSBLEED CONTROL	Open	Knob fully counterclockwise
IV. PITOT VENT	Open	Knob fully counterclockwise
V. STATIC VENT	Open	Knob fully counterclockwise

**Caution:** Before pressurizing the aircraft Pitot and/or Static systems, ensure that the Limit Protection is enabled and the Altitude and Rate of Climb (VSI) limits are set to the appropriate values. Make sure that the aircraft instrument limits are never exceeded.

- (b) Ensure the aircraft altimeter is set to 29.92 in. Hg.



## DPS350 USER MANUAL

(c) Close the STATIC and PITOT VENT valves.

(d) Insure the CROSSBLEED CONTROL valve is fully open.

**Caution:** The CROSSBLEED CONTROL valve must be open while the Static Channel (Altitude) is changed. The CROSSBLEED CONTROL valve bleeds the Static and Pitot Pressures together, preventing a differential pressure or airspeed from being created on the Pitot Channel.

(e) Slowly open the STATIC CONTROL valve (while observing and maintaining the VSI below the programmed limits) and establish the desired test altitude.

**Note:** If any of the programmed limits (VSI, Airspeed, Altitude, Mach or Leak Rate) are exceeded during the test, then refer to the PROTECTION CIRCUIT RESET INSTRUCTIONS. (The Limit protection feature may be disabled during Tester Only Leak Checks without causing damage to the equipment.)

(f) To adjust the altitude to the next datum point, slowly open the STATIC CONTROL while observing and maintaining the VSI below the programmed limits. To decrease altitude, slowly open the STATIC VENT valve.

(g) After testing has been completed, slowly open the PITOT VENT valve (while observing and maintaining the VSI below the programmed limits) to return the aircraft static system to field elevation.

**Note:** To ensure a negative airspeed condition does not occur, it is important to vent the Static pressure through the PITOT VENT valve.

**Note:** If one or more of the programmed limits (VSI, Airspeed, Altitude, Mach or Leak Rate) are exceeded during the test, refer to PROTECTION CIRCUIT RESET INSTRUCTIONS. (The Limit protection feature may be disabled during Tester Only Leak Checks without causing damage to the equipment.)

(h) The Tester should be in the following configuration before turning POWER off:

I. PITOT CONTROL	Closed	Knob fully clockwise
II. STATIC CONTROL	Closed	Knob fully clockwise
III. CROSSBLEED CONTROL	Open	Knob fully counterclockwise
IV. PITOT VENT	Open	Knob fully counterclockwise
V. STATIC VENT	Open	Knob fully counterclockwise

(i) Continue on to the Combined Pitot/Static Test or if testing has been completed, disconnect the PITOT and STATIC ports from the aircraft.



## DPS350 USER MANUAL

### D. COMBINED PITOT / STATIC TEST

#### (1) Combined Altitude / Airspeed Tests

**Caution:** Should any subsequent steps fail, follow the steps outlined in the Standard Test Set Shutdown Procedure before disconnecting test set.

**Note:** Always start tests at the lowest altitude and airspeed required. To prevent tripping the protection circuits, always make sure that the programmed rate limits are not exceeded while changing altitudes or airspeeds.

- (a) Verify that Tester Leak Tests and the Aircraft Pitot System Leak Test and Static System Leak Tests have been completed.
- (b) Ensure the aircraft altimeter is set to 29.92 in. Hg.
- (c) Set the Tester controls to the following positions:

I. PITOT CONTROL	Closed	Knob fully clockwise
II. STATIC CONTROL	Closed	Knob fully clockwise
III. CROSSBLEED CONTROL	Open	Knob fully counterclockwise
IV. PITOT VENT	Open	Knob fully counterclockwise
V. STATIC VENT	Open	Knob fully counterclockwise

**Caution:** Before pressurizing the aircraft's Pitot and/or Static systems, ensure Limit Protection is ENABLED and the Altitude, Rate of Climb (VSI), Airspeed and Mach limits are set to the appropriate values. Refer to SETTING THE PROTECTION LIMITS. Make sure that the aircraft instrument limits are never exceeded.

- (d) Close the STATIC and PITOT vents.
- (e) Ensure the CROSSBLEED CONTROL valve is fully open.

**Caution:** The CROSSBLEED CONTROL valve must be open while the Static Channel (Altitude) is changed. The CROSSBLEED CONTROL valve bleeds the Static and Pitot Pressures together, preventing an undesirable differential pressure or airspeed from being created on the Pitot Channel.

#### (2) Below Field Elevation Test

**Note:** If there are no altitude tests below field elevation, this test may be omitted.

- (a) Open the CROSSBLEED valve fully CCW.



## DPS350 USER MANUAL

- (b) While ensuring not to exceed the aircraft VSI full-scale range, gently open the PITOT CONTROL to reach the desired downscale altimeter test point. After the test point has been reached, close the PITOT CONTROL CW and CROSSBLEED CONTROL valves fully.

Note: The airspeed test point may only be set above the normal resting position of the pointer.

- (c) Taking care not to exceed the test point, carefully open the PITOT CONTROL valve until the airspeed increases to the desired test point.

Note: If an airspeed test point is accidentally exceeded, do the following:

- (1) Gently open the CROSSBLEED valve until the airspeed is 10 knots below the desired test value (some altitude change occurs).
- (2) Gently open the STATIC CONTROL valve to restore the altitude to a correct test point.
- (3) Raise the airspeed to the test point by carefully opening the PITOT CONTROL valve until reaching the desired airspeed.
- (4) Repeat procedure to complete the higher airspeed test points.
- (5) Gently open the CROSSBLEED CONTROL valve and return the airspeed to its normal pointer rest position of 20 to 40 knots.

### (3) Above Field Elevation Test

Note: The CROSSBLEED CONTROL VALVE should be fully open.

- (a) Slowly open the STATIC CONTROL valve (while observing and maintaining the VSI below the programmed limits) and establish the desired test altitude.

Note: If one or more programmed limits (VSI, Airspeed, Altitude, Mach or Leak Rate) are exceeded during the test, refer to the Protection Circuit Reset Instructions. (The Limit protection feature may be disabled during Tester only Leak Checks without causing damage to the equipment.)

- (b) Upon reaching the desired altitude, close the STATIC CONTROL valve fully.

- (c) Close the CROSSBLEED CONTROL valve.

Note: The CROSSBLEED CONTROL valve is closed so the Pitot channel can establish a differential pressure (Airspeed).

- (d) Observe the aircraft and test set airspeed indications while slowly opening the PITOT CONTROL valve to the desired airspeed test point.

Note: If any of the programmed limits (VSI, Airspeed, Altitude, Mach or Leak Rate) are exceeded during the test, then refer to THE PROTECTION



## DPS350 USER MANUAL

CIRCUIT RESET INSTRUCTIONS. (The Limit protection feature may be disabled during Tester Only Leak Checks without causing damage to the equipment.)

- (e) Upon reaching the desired airspeed, close the PITOT CONTROL valve fully.
- (f) To adjust the test set to the next datum point during a combined test, perform, among the following five procedures (Increase or Decrease Altitude, Increase or Decrease Airspeed, or Adjustment of Both), the one that is applicable to obtain the intended result. Example: to Decrease Airspeed, follow steps of procedure 4 (next page). Repeat any of these five procedures as required until all datum points have been accomplished.

### 1. Increase Altitude

- a) Slowly OPEN the CROSSBLEED CONTROL valve until the airspeed reaches 0 knots. Ensure the CROSSBLEED CONTROL valve remains fully open.

Caution: Do not attempt to vent the Pitot System through the PITOT VENT valve while reaching altitude since this will cause the airspeed to increase.

- b) Adjust the altitude to the next datum point by slowly opening the STATIC CONTROL until the new Altitude datum point is achieved.

Note: Opening the CROSSBLEED CONTROL valve bleeds the positive Pitot pressure into the Static channel; thus, reducing the Static Vacuum or Altitude.

- c) Close the CROSSBLEED CONTROL valve.

Note: The CROSSBLEED CONTROL valve is closed so the Pitot channel can establish a differential pressure (airspeed).

- d) Observe the aircraft and test set airspeed indications while slowly opening the PITOT CONTROL valve to the desired airspeed test point.

Note: If any of the programmed limits (VSI, Airspeed, Altitude, Mach or Leak Rate) are exceeded during the test, refer to PROTECTION CIRCUIT RESET INSTRUCTIONS. (The Limit protection feature may be disabled during Tester Only Leak Checks without causing damage to the equipment.)

- e) Upon reaching the desired airspeed, close the PITOT CONTROL valve.

## DPS350 USER MANUAL

### 2. Decrease Altitude

- a) Slowly open the CROSSBLEED CONTROL valve until the airspeed reaches 0 knots. Ensure the CROSSBLEED CONTROL valve remains fully open.
- b) Adjust the altitude to the next datum point by slowly opening (while observing and maintaining the VSI below the programmed limits) the PITOT VENT to decrease the pressure for establishing the next lower altitude.
- c) Close the CROSSBLEED CONTROL valve.

Note: The CROSSBLEED CONTROL valve is closed so the Pitot channel can establish a differential pressure (Airspeed).

- d) Observe the aircraft and test set airspeed indications while slowly opening the PITOT CONTROL valve to the desired airspeed test point.

Note: If any of the programmed limits (VSI, Airspeed, Altitude, Mach or Leak Rate) are exceeded during the test, refer to the PROTECTION CIRCUIT RESET INSTRUCTIONS. (The Limit protection feature may be disabled during Tester Only Leak Checks without causing damage to the equipment.)

- e) Upon reaching the desired airspeed, completely close the PITOT CONTROL valve.

### 3. Increase Airspeed -

Note: The CROSSBLEED CONTROL valve should be closed.

- a) Slowly open the PITOT CONTROL to establish the next airspeed.

Note: Increasing the airspeed does not affect the Altimeter, so a simple increase in the Pitot pressure will set the new datum point.

### 4. Decrease Airspeed -

- a) Slowly Open the CROSSBLEED CONTROL valve until the airspeed reaches 0 knots. Ensure the CROSSBLEED CONTROL valve remains fully open.

Caution: Do not attempt to vent the Pitot System through the PITOT VENT valve while at altitude since this will cause the Airspeed to increase.

## DPS350 USER MANUAL

- b) Readjust the altitude to the previous datum point by slowly opening the STATIC CONTROL until the previous Altitude datum point has been achieved.

Note: Opening the CROSSBLEED CONTROL valve bleeds the positive Pitot pressure into the Static channel, thus reducing the Static Vacuum or Altitude.

- c) Close the CROSSBLEED CONTROL valve.

Note: The CROSSBLEED CONTROL valve is closed so the Pitot channel can establish a differential pressure (airspeed).

- d) Observe the aircraft and test set airspeed indications while slowly opening the PITOT CONTROL valve to the desired airspeed test point.
- e) Upon reaching the desired airspeed, completely close the PITOT CONTROL valve.

### 5. Adjustment of both altitude and airspeed -

- a) Slowly open the CROSSBLEED CONTROL valve until the airspeed reaches 0 knots. Ensure the CROSSBLEED CONTROL valve remains fully open.

Caution: Do not attempt to vent the Pitot System through the PITOT VENT valve while at altitude since this will cause the airspeed to increase.

- b) Adjust the altitude to the next datum point by slowly opening (while observing and maintaining the VSI below the programmed limits) the STATIC CONTROL to increase or PITOT VENT valve to decrease the pressure for establishing the next altitude.

Note: Opening the CROSSBLEED CONTROL valve bleeds the positive Pitot pressure into the Static channel, thus reducing the Static Vacuum or Altitude.

- c) Close the CROSSBLEED CONTROL valve.

Note: The CROSSBLEED CONTROL valve is closed so the Pitot channel can establish a differential pressure (airspeed).

Caution: Do not use unnecessary force to adjust any test set valves. Positive stop spacers have been installed on all metering valves to permit firm closing of the valves without damage. However, excessive force can overcome the knob set screw, resulting in valve damage.

## DPS350 USER MANUAL

- d) Observe the aircraft and test set airspeed indications while slowly opening the PITOT CONTROL valve to the desired airspeed test point.

**Note:** If one or more programmed limits (VSI, Airspeed, Altitude, Mach or Leak Rate) are exceeded during the test, refer to PROTECTION CIRCUIT RESET INSTRUCTIONS. (The Limit protection feature may be disabled during Tester Only Leak Checks without causing damage to the equipment.)

- e) Upon reaching the desired airspeed, completely close the PITOT CONTROL valve.

### (4) Completion of Combined Pitot / Static Tests

After all Combined Tests have been finished, perform the following steps.

- a) Slowly open the CROSSBLEED CONTROL valve until the airspeed reaches 0 knots. Ensure the CROSSBLEED CONTROL valve remains fully open.

**Caution:** Do not attempt to vent the Pitot System through the PITOT VENT valve while at altitude since this will cause the airspeed to increase.

- b) Slowly open the PITOT VENT valve (while observing and maintaining the VSI below the programmed limits) until the altitude has decreased to field elevation.

**Note:** To ensure that a negative airspeed condition does not occur, it is important to vent the Static pressure through the PITOT VENT valve.

**Note:** If any of the programmed limits (VSI, Airspeed, Altitude, Mach or Leak Rate) are exceeded during the test then refer to the PROTECTION CIRCUIT RESET INSTRUCTIONS. (The Limit protection feature may be disabled during Tester Only Leak Checks without causing damage to the equipment.)

- c) Set the Tester to the following configuration before disengaging POWER:

I. PITOT CONTROL	Closed	Knob fully clockwise
II. STATIC CONTROL	Closed	Knob fully clockwise
III. CROSSBLEED CONTROL	Open	Knob fully counterclockwise
IV. PITOT VENT	Open	Knob fully counterclockwise
V. STATIC VENT	Open	Knob fully counterclockwise

- d) Turn off power and disconnect the STATIC and PITOT hoses from the tester's and aircraft's STATIC and PITOT ports.

DPS350 USER MANUAL

E. MACHMETER TESTS

Use the procedures outlined in the COMBINED PITOT / STATIC TEST section to set and change the airspeed and altitude. Set an altitude (in feet) listed in the following table. Set the corresponding airspeed (in knots). Verify that the MACH value obtained is the same as that listed in the table for the settings. (For example, an altitude set to 10k with the airspeed of 277 kts. would give a MACH reading of .50.) Select a new airspeed and altitude and repeat the test as required.

MACH NUMBER								Altitude (ft.)
.50	.60	.70	.75	.80	.82	.85	.90	
277	334	391	420	449	---	---	---	10k
247	298	350	376	403	414	429	---	15k
228	275	324	348	373	383	398	424	20k
205	248	292	315	338	347	361	384	25k
188	228	269	289	311	319	332	354	29k
172	207	246	265	285	292	304	324	33k
157	190	224	242	260	267	278	297	37k
142	173	204	220	237	243	253	277	41k
---	157	186	201	216	222	231	246	45k
---	143	169	183	196	202	210	225	49k
---	---	161	174	187	193	201	214	51k

↑  
 ↓  
 Airspeed  
(kts.)

**Table 2 Airspeed vs. MACH Number Test**

After testing has been completed, use the Standard Test Set Shutdown Procedures to return the test set to ambient.

## DPS350 USER MANUAL

### F. ENGINE PRESSURE RATIO (EPR) TEST

Note: This test is limited by Test Set airspeed range.

(1) Preliminary

- (a) Connect the PITOT PORT (red band) to the PT7 (Hi) port of the E.P.R. transmitter to be tested.
- (b) Connect the STATIC PORT (blue band) to the PT2 (Lo) port of the E.P.R. transmitter to be tested.

(2) Test

- (a) The EPR function of the DPS350 allows the display of the EPR Ratio PT7/PT2 and also pressures of PT2 and PT7 individually. The units of measure available for the PT2 and PT7 pressure display are: in. Hg, mb, or Altitude (ft. or m) and Airspeed (kts. or km/hour). To set up the EPR display to desired units of measure, refer to SETTING THE DISPLAYED UNITS.

Note: If the EPR data is displayed in Altitude (ft.) and Airspeed (kts.), Table 3 (below) can be referenced as a guide to establish the desired EPR Ratio.

- (b) Establish the respective static (Altitude or PT2) and pitot (Airspeed or PT7) pressure combination to achieve the desired EPR ratio.

AIRSPEED (knots) Pt7 (Hi) Port	ALTITUDE (feet) Pt2 (Lo) Port	EPR (Engine Pressure Ratio)
650	25,870	3.4
546	35,000	3.4
650	21,650	3.0
504	35,000	3.0
650	14,690	2.5
534	25,870	2.5
444	35,000	2.5
650	4,210	2.0
500	20,000	2.0
369	35,000	2.0
478	5,000	1.5
365	20,000	1.5
265	35,000	1.5

**Table 3 Engine Pressure Ratio Test Table**

- (c) After testing has been completed, use the Standard Test Set Shutdown Procedures to return the test set and aircraft to ambient pressures.



## DPS350 USER MANUAL

### G. MANIFOLD PRESSURE GAUGE TEST

#### (1) Preliminary

##### (a) Initial Valve Position for Manifold Pressure Gauge Test.

I. PITOT CONTROL	Closed	Knob fully clockwise
II. STATIC CONTROL	Closed	Knob fully clockwise
III. CROSSBLEED CONTROL	Open	Knob fully counterclockwise
IV. PITOT VENT	Open	Knob fully counterclockwise
V. STATIC VENT	Open	Knob fully counterclockwise

**Caution:** Do not use unnecessary force to adjust any test set valves. Positive stop spacers have been installed on all metering valves to permit firm closing of the valves without damage. However, excessive force can overcome the knob set screw, resulting in valve damage.

**Note:** Do not over tighten the valves. A light pressure is necessary to completely open or close the valves supplied with the *DPS350* or other *Barfield Inc.* Pitot-Static testers.

##### (b) Connect the Power cable, the STATIC (blue band) hose to the manifold gauge to be tested, if not already connected.

**Note:** The quick connect ports on the test set and mating hoses are *color-coded and keyed* to help prevent the accidental crossing of Pitot and Static hoses.

##### (c) Set the POWER switch to ON. Wait for initialization to be completed, which is indicated when the parameter display appears.

##### (d) Press the PUMP button to engage the internal Pressure/Vacuum Pump.

**Note:** The PUMP can be turned ON/OFF as necessary.

The protection limits may be disabled during the *DPS350* Leak Tests to reduce the time necessary to check the condition of the test set. The protection limits may be disabled during the *DPS350* leak tests because the transducers used in the test set are resistant to damage, typically affecting Aneroid Instruments. The *DPS350* Protection Limits must be enabled anytime the tester is connected to the aircraft. The protection limits ensure that no damage to the Aircraft's Pitot-Static systems occur during testing.



## DPS350 USER MANUAL

### (2) Test

- (a) The DPS350 can be changed to display the static pressure in in. Hg units by referring to section 1-4, Page 4 (Setting the Display Units).
- (b) Close the STATIC VENT and adjust the STATIC CONTROL to the required pressure (in. Hg) for the Manifold pressure test point.

**Note:** Use the following as a reference guide for setting the **STATIC CONTROL** using altitude (if applicable). Table 3 shows the relation between altitude and the corresponding pressure in in. Hg.

ALTITUDE (feet)	MANIFOLD PRESSURE (in. Hg)
-983.4	31
-72.7	30
+862.8	29
1,824.9	28
2,815.2	27
3,835.7	26
4,888.5	25
10730	20
17,906.2	15
27,375.0	10

**Table 4 Altitude vs. Manifold Pressure**

- (c) Use the STATIC CONTROL to decrease the pressure (in. Hg) or the STATIC VENT valve to increase the pressure (in. Hg) to the next test points.
- (d) After testing has been completed, return the test set to ambient pressures as outlined in SHUTDOWN PROCEDURES.

## **5. SHUTDOWN PROCEDURES**

### A. TEST SET SHUTDOWN PROCEDURE

- (1) After testing has been completed, slowly *open* the CROSSBLEED CONTROL valve until the airspeed reaches 0 knots.

**Caution:** Do not attempt to vent the Pitot System through the PITOT VENT valve while at altitude since this will cause the airspeed to increase.

- (2) Fully open the CROSSBLEED CONTROL valve.



## DPS350 USER MANUAL

- (3) Slowly open the PITOT VENT valve (while observing and maintaining the VSI below the programmed limits) until the altitude has decreased to field elevation.

Note: To ensure that a negative airspeed condition does not occur, it is important to vent the static pressure through the PITOT VENT valve.

Note: If one or more programmed limits (VSI, Airspeed, Altitude, Mach or Leak Rate) are exceeded during the test, then refer to the PROTECTION CIRCUIT RESET INSTRUCTIONS. (The Limit protection feature may be disabled during Tester Only Leak Checks without causing damage to the equipment).

- (4) Ensure that the Tester is in the following configuration before disengaging POWER:

(a) PITOT CONTROL	Closed	Knob fully clockwise
(b) STATIC CONTROL	Closed	Knob fully clockwise
(c) CROSSBLEED CONTROL	Open	Knob fully counterclockwise
(d) PITOT VENT	Open	Knob fully counterclockwise
(e) STATIC VENT	Open	Knob fully counterclockwise

- (5) Switch Power OFF and disconnect the STATIC and PITOT hoses from the STATIC and PITOT ports of the tester and aircraft.



## DPS350 USER MANUAL

# CHAPTER 5: RECEIVING, SHIPPING, AND STORAGE

## 1. RECEIVING

No special unpacking procedures are necessary. It is recommended that the factory-shipping container and packing materials be retained should it become necessary, for any reason, to re-ship the Test Set, such as for the **O.E.M. recertification**.

It is also recommended that the Test Set undergo a leak check upon receipt and its carrying case should be carefully inspected for damage. If the test set has an excessive leak or is damaged immediately, notify the carrier and the manufacturer.

## 2. SHIPPING

Use standard delicate electronic equipment packaging procedures when packing the Test Set for reshipment.

## 3. STORAGE

- A. Place a four-ounce bag of desiccant inside the case.
- B. Close and latch the cover.
- C. Store in a cool dry place.

Note: Should the test set become exposed to moisture or very high humidity, dry it as soon as possible and temporarily store it in a dehumidified area.